

Hawk Order Form



Custom-built wheelchair for active use Default Equipment

- Tailor-made rigid-frame wheelchair
- Fully welded or adjustable versions available
- Made of 7020 T6 aluminum
- Adjustable seat and back upholstery
- Impact-resistant anodized frame
- Rear wheels with quick-release axles



Orderform is only compatible with Adobe Acrobat Reader which is available at:

PC & Macbook
<https://get.adobe.com/uk/reader/>

Tablet & iPad
<https://www.adobe.com/acrobat/mobile.html>



User information	
User name	
Adress	
Zip-code & city	
Tel. / Telefon	
E-Mail	
Weight	Kg.
Height	cm.
Offer Only	<input type="checkbox"/>
Order	<input type="checkbox"/>
Payment Details	
EAN number	
Your PO number	
Invoice recipient	
Phone/Telefon	
E-Mail	
Contact Person	
Name and address	
Phone	
E-Mail	
Delivery Information	
Consultant	<input type="radio"/>
User	<input type="radio"/>
Dealer	<input type="radio"/>
Other address	<input type="radio"/>
Consultant / Date	

Remarks / Bemærkninger

REMARKS

- This combination/option is available
- This combination/option is **not** available
- ! This information is mandatory and must always be filled in

If no price is mentioned in the left column, the option is included in the price mentioned at the front page. Prices excl VAT.

For options or solutions not mentioned in this orderform contact Wolturnus A/S. See contact information at the bottom of the page.

BEMÆRK

- Denne kombination/valg er tilgængeligt
- Denne kombination/valg er **ikke** tilgængeligt
- ! Denne information er nødvendig og skal altid udfyldes

Hvis der ingen pris er angivet i venstre kolonne, er valget inkluderet i prisen angivet på forsiden. Priser ekskl. moms.

For valgmuligheder / løsninger, som ikke er nævnt i dette måleskema kontakt venligst Wolturnus A/S. Se kontakt info nederst på siden.

! Model (mandatory)		
1510??????09 £ 2.750	<input type="checkbox"/>	Hawk

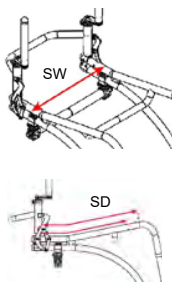
! Frame colour (mandatory)		
1510?????2109	<input type="radio"/>	White Powder coat nr. 21
1510?????2509	<input type="radio"/>	Black Powder coat nr. 25
1510?????2909	<input type="radio"/>	Grey Powder coat nr. 29

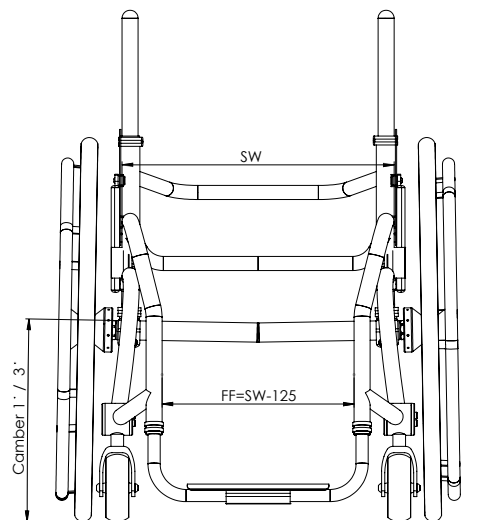
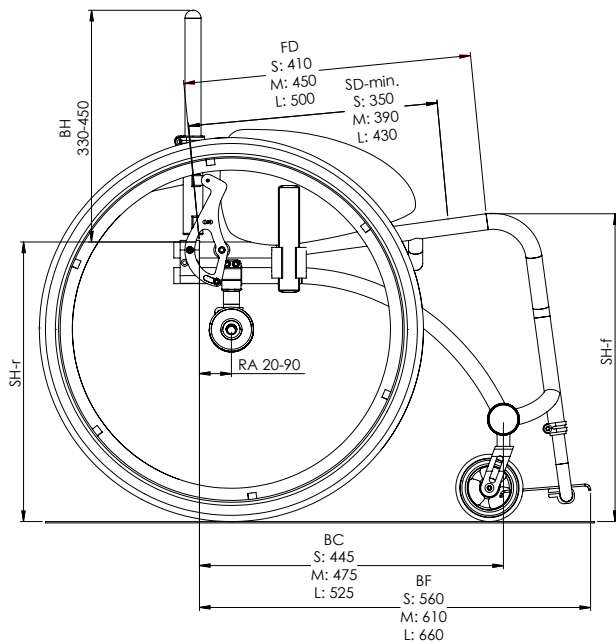
! Secondary colour (mandatory) / Sekundær farve (skal udfyldes)

Components in secondary colour: Front fork, foot rest bar, baluster for lift-off sideguards and mounting plate for folding back

6190000040??	<input type="radio"/>	Bronze
619000004004	<input type="radio"/>	Blue
619000004005	<input type="radio"/>	Red
619000004006	<input type="radio"/>	Green
619000004007	<input type="radio"/>	Black
619000004008	<input type="radio"/>	Sliver

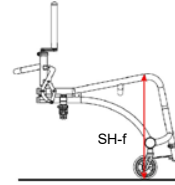
! Seat width and seat depth (mandatory)

		Seat width (SW)							
Seat depth (SD)		35 cm	37,5 cm	40 cm	42,5 cm	45 cm	47,5 cm	50 cm	
Small	35-42 cm	<input type="radio"/>	<input type="radio"/>	<input type="radio"/>	<input type="radio"/>	<input type="radio"/>	<input type="radio"/>	<input type="radio"/>	
	38-45 cm	<input type="radio"/>	<input type="radio"/>	<input type="radio"/>	<input type="radio"/>	<input type="radio"/>	<input type="radio"/>	<input type="radio"/>	
Large	42-50 cm	<input type="radio"/>	<input type="radio"/>	<input type="radio"/>	<input type="radio"/>	<input type="radio"/>	<input type="radio"/>	<input type="radio"/>	
SD: Requested seat depth:		_____ cm							



! Seat height from front SH-f (mandatory)

		Seat height from front* (SH-f) (cm)												
Front wheel		46 cm	46,5 cm	47 cm	47,5 cm	48 cm	48,5 cm	49 cm	49,5 cm	50 cm	50,5 cm	51 cm	51,5 cm	52 cm
Small frame	4"	<input type="radio"/>	-	-	<input type="radio"/>	-	-	-	-	-	-	-	-	-
	5"	-	-	-	<input type="radio"/>	-	-	<input type="radio"/>	-	-	-	-	-	-
	6"	-	-	-	-	-	-	-	-	-	-	-	-	-
Medium frame	4"	-	-	<input type="radio"/>	-	-	<input type="radio"/>	-	-	-	-	-	-	-
	5"	-	-	-	-	-	<input type="radio"/>	-	<input type="radio"/>	-	-	-	-	-
	6"	-	-	-	-	-	-	-	-	-	-	-	-	-
Large frame	4"	-	-	-	-	<input type="radio"/>	-	-	<input type="radio"/>	-	-	-	-	-
	5"	-	-	-	-	-	-	-	<input type="radio"/>	-	-	<input type="radio"/>	-	-
	6"	-	-	-	-	-	-	-	-	-	-	-	-	<input type="radio"/>



Casters

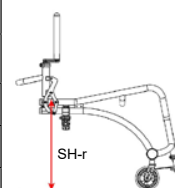
96640100???? £ 0	<input type="radio"/>	4" Fiber plastic front wheel 34 mm width (Std.)	Black <input type="checkbox"/> Silver <input type="checkbox"/> White <input type="checkbox"/> Red <input type="checkbox"/> Blue <input type="checkbox"/>
966401253400 £ 0	<input type="radio"/>	5" Fiber plastic front wheel 34 mm width (nur in schwarz)	
966401503400 £ 0	<input type="radio"/>	6" Fiber plastic front wheel 34 mm width (nur in schwarz) (Nur in 52 cm SF-h)	
860020000000 £ 41	<input type="radio"/>	Anti-haircap for fiber plast wheels	
966401003410 £ 138	<input type="radio"/>	4" Aluminum front wheel 34 mm width (Silver)	
966401253410 £ 138	<input type="radio"/>	5" Aluminum front wheel 34 mm width (Silver)	
966401004610 £ 347	<input type="radio"/>	4" Carbon Front wheel High gloss 30mm width (Black)	
966401254610 £ 347	<input type="radio"/>	5" Carbon Front wheel High gloss 30mm width (Black)	
966401000??? £ 325	<input type="radio"/>	4" Aluminum front wheel 35 mm width Froglegs Softwheel	Black <input type="checkbox"/> Silver <input type="checkbox"/> White <input type="checkbox"/> Red <input type="checkbox"/> Blue <input type="checkbox"/>
966401250??? £ 240	<input type="radio"/>	5" Aluminum front wheel 35 mm width Froglegs Softwheel	
966401500020 £ 240	<input type="radio"/>	6" Aluminium front wheel 36 mm Froglegs Softroll (Only in silver) (Only with SH-f 52 cm)	
966401000??? £ 290	<input type="radio"/>	4" Aluminum front wheel 35 mm width Froglegs Softwheel (Not in stock - Longer delivery time)	Gold <input type="checkbox"/> Purple <input type="checkbox"/> Orange <input type="checkbox"/> Green <input type="checkbox"/>
966401250??? £ 290	<input type="radio"/>	5" Aluminum front wheel 35 mm width Froglegs Softwheel (Not in stock - Longer delivery time)	




*** NOTE**

SH-f and SH-r are guidelines of heights, which we aim to meet. Though, these heights of the finished wheelchair may differ, depending on camber angle and choice of tires.

! Seat height at the rear SH-r (mandatory)

		Seat height at the rear (SH-r)						
Rear Wheel	39	40,5	41	43	44	45,5	46,5	48
22"	<input type="radio"/>	<input type="radio"/>	<input type="radio"/>	<input type="radio"/>	<input type="radio"/>	-	-	-
24"	-	-	<input type="radio"/>	<input type="radio"/>	<input type="radio"/>	<input type="radio"/>	-	-
25"	-	-	-	<input type="radio"/>	<input type="radio"/>	<input type="radio"/>	<input type="radio"/>	<input type="radio"/>

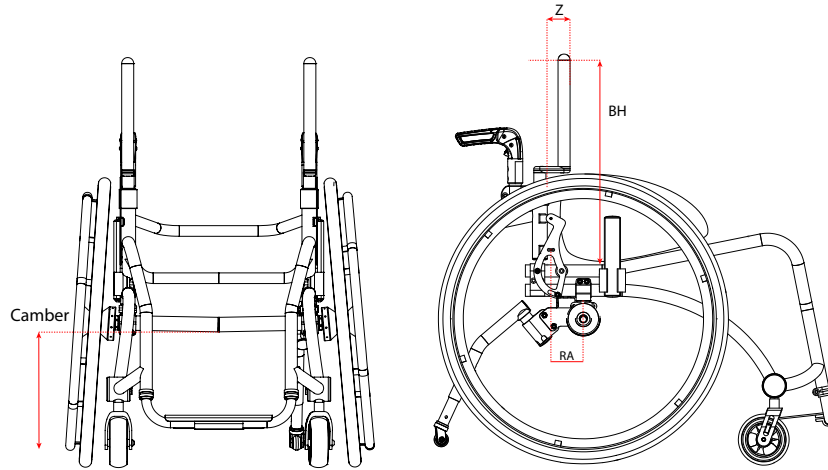


Spoke Wheel						
	22"	24"	25"			
85102??01009	<input type="radio"/>	<input type="radio"/>	<input type="radio"/>	£ 0	Spoke wheels (standard)	
8510??101002	<input type="radio"/>	<input type="radio"/>	<input type="radio"/>	£ 199	Infinity Super Light 24 spokes (user weight limit 80 kg)	
85352?101008		<input type="radio"/>	<input type="radio"/>	£ 695	Black Spinergy 12 Spoke LX + Silver Hub	
85352?101208		<input type="radio"/>	<input type="radio"/>	£ 695	Blue Spinergy 12 Spoke LX+ Black Hub	
85352?101508	-	<input type="radio"/>	<input type="radio"/>	£ 695	White Spinergy 12 Spoke LX+ Black Hub	
85352?101308		<input type="radio"/>	<input type="radio"/>	£ 695	Red Spinergy 12 Spoke LX+ Black Hub	
85352?102108		<input type="radio"/>	<input type="radio"/>	£ 695	Black Spinergy 12 Spoke LX + Black Hub	
85352?101009		<input type="radio"/>	<input type="radio"/>	£ 545	Black Spinergy 18 Spoke SPOX+ Silver Hub	
85352?101209		<input type="radio"/>	<input type="radio"/>	£ 545	Blue Spinergy 18 Spoke SPOX + Black Hub	
85352?101509	-	<input type="radio"/>	<input type="radio"/>	£ 545	White Spinergy 18 Spoke SPOX + Black Hub	
85352?101309		<input type="radio"/>	<input type="radio"/>	£ 545	Red Spinergy 18 Spoke SPOX + Black Hub	
85352?101?09		<input type="radio"/>	<input type="radio"/>	£ 545	Black Spinergy 18 Spoke SPOX+ Black Hub	
Wheels to order, extended delivery time, OBS color availability may change from manufacture. Please contact Wolturnus for more options.						
85352?101608		<input type="radio"/>	<input type="radio"/>	£ 735	Orange Spinergy 12 Spoke LX + Black Hub	
85352?101408		<input type="radio"/>	<input type="radio"/>	£ 735	Yellow Spinergy 12 Spoke LX + Black Hub	
85352?101808	-	<input type="radio"/>	<input type="radio"/>	£ 735	Pink Spinergy 12 Spoke LX + Black Hub	
85352?101708		<input type="radio"/>	<input type="radio"/>	£ 735	Green Spinergy 12 Spoke LX + Black Hub	
Tires						
	22"	24"	25"			
9662????00??	<input type="radio"/>	<input type="radio"/>	<input type="radio"/>	£ 0	Std. Schwalbe tires, grey, 1"	
96622?01000?	<input type="radio"/>	<input type="radio"/>	<input type="radio"/>	£ 95	Schwalbe Marathon Plus EVO, black 1"	
96622?010009	<input type="radio"/>	<input type="radio"/>	<input type="radio"/>	£ 115	Solid tire, grey 1"	
96622?230010	-	<input type="radio"/>	<input type="radio"/>	£ 115	Solid tire, black 1"	
Pushrims						
85512?10200?	<input type="radio"/>	<input type="radio"/>	<input type="radio"/>	£ 0	Aluminium pushrims Nature (standard)	Pushrims mounted short (std.) <input type="checkbox"/>
85512?102008	-	<input type="radio"/>	<input type="radio"/>	£ 150	Aluminium pushrims Black Ø19 6L	
85502?103009	-	<input type="radio"/>	-	£ 138	Stainless steel pushrims	
85552?000009	-	<input type="radio"/>	<input type="radio"/>	£ 388	Titanium drivings	
8554202?0601	<input type="radio"/>	<input type="radio"/>	<input type="radio"/>	£ 243	Friction pushrims	
8554262?0601	-	<input type="radio"/>	<input type="radio"/>	£ 445	Curve L 6L Carbolife	Pushrims mounted long <input type="checkbox"/>
8554272?0601	-	<input type="radio"/>	<input type="radio"/>	£ 445	Curve L TG 6L Carbolife	
8554282?0601	-	<input type="radio"/>	<input type="radio"/>	£ 540	Gekko 6L Carbolife	
9669282?0602	<input type="radio"/>	<input type="radio"/>	<input type="radio"/>	£ 540	Gekko S 6L Carbolife	
8554302?0601	<input type="radio"/>	<input type="radio"/>	<input type="radio"/>	£ 540	Quadro 6L Carbolife	
8554502?060?	-	<input type="radio"/>	<input type="radio"/>	£ 540	Oval Wood S BIG Light	
8554502?060?	-	<input type="radio"/>	<input type="radio"/>	£ 540	Oval Wood S BIG Dark	
85712?102009	<input type="checkbox"/>	<input type="checkbox"/>	<input type="checkbox"/>	£ 138	Spoke guards transparent	

Fill in and send to Wolturnus - Ausfüllen und an Wolturnus senden - Udfyld og send til Wolturnus

Subject to Technical Modifications and Pricing Errors / Technische Änderungen und Druckfehler vorbehalten
Forbehold for tekniske ændringer og trykfejl

© Wolturnus AS OF HAWK Winter 2024 v4.0



! Camber rear axle (Mandatory)	
611500010001	<input type="radio"/> 1° Camber
611500030001	<input type="radio"/> 3° Camber

! Rear Axle (Mandatory)										
	Adjustable rear axle - (Std. 8 cm) Pick RA below									
611000000001	<table border="1"> <tr> <td>RA:</td> <td><input type="radio"/> 2 cm</td> <td><input type="radio"/> 3 cm</td> <td><input type="radio"/> 4 cm</td> <td><input type="radio"/> 5 cm</td> <td><input type="radio"/> 6 cm</td> <td><input type="radio"/> 7 cm</td> <td><input type="radio"/> 8 cm</td> <td><input type="radio"/> 9 cm</td> </tr> </table>	RA:	<input type="radio"/> 2 cm	<input type="radio"/> 3 cm	<input type="radio"/> 4 cm	<input type="radio"/> 5 cm	<input type="radio"/> 6 cm	<input type="radio"/> 7 cm	<input type="radio"/> 8 cm	<input type="radio"/> 9 cm
RA:	<input type="radio"/> 2 cm	<input type="radio"/> 3 cm	<input type="radio"/> 4 cm	<input type="radio"/> 5 cm	<input type="radio"/> 6 cm	<input type="radio"/> 7 cm	<input type="radio"/> 8 cm	<input type="radio"/> 9 cm		

! Backrest System (Mandatory)	
	! BH: Back height delivered (BH 33-45 cm, adjustable) _____ cm

825010000000	<input type="radio"/> Straight back (std.)
82501000???? £ 432	<input type="radio"/> Wing Back HAWK ILSA: Integrated multi-adjustable back support Z: 3 cm
	<input type="radio"/> Wing Back HAWK ILSA: Integrated multi-adjustable back support Z: 5 cm
	<input type="radio"/> Wing Back HAWK ILSA: Integrated multi-adjustable back support Z: 7 cm

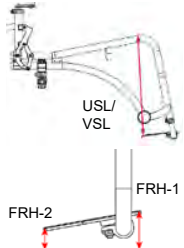
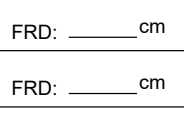
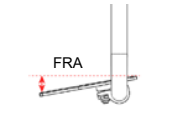
Anti-tipper (Recommended)	
953599992001 £ 255	<input type="checkbox"/> Swing away anti-tip - Right
953599992002 £ 255	<input type="checkbox"/> Swing away anti-tip - Left
(Note that crutch holder can't fit together with anti-tip on small frames and 35/37,5 cm SW)	

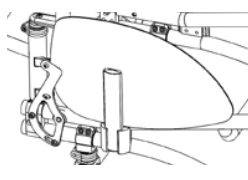
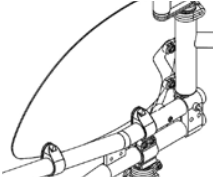
! Upholstery (mandatory)			
750000009000 £ 205	<input type="checkbox"/>	W-fit seat cushion - Taylor made seat cushion for a perfect fit	!
- £ 0	<input type="checkbox"/>	3D Knitted cover (Black, Std.)	Width / Depth _____ cm / _____ cm
750000000005 £ 55	<input type="checkbox"/>	Incontinens cover	Thickness <input type="checkbox"/> 5cm Std. <input type="checkbox"/> 7cm
			Firmness <input type="checkbox"/> Medium Std. <input type="checkbox"/> Hard

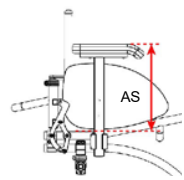
Fill in and send to Wolturnus - Ausfüllen und an Wolturnus senden - Udfyld og send til Wolturnus

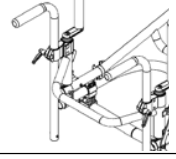
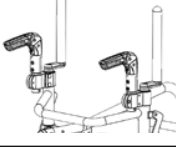
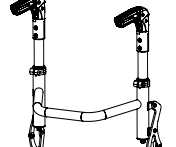
Subject to Technical Modifications and Pricing Errors / Technische Änderungen und Druckfehler vorbehalten
Forbehold for tekniske ændringer og trykfej






© Wolturnus AS OF HAWK Winter 2024 v4.0







! Angle Adjustable Footrest (Mandatory)							
614500??0001	<input type="checkbox"/>	VSL: Front of seat upholstery to rear edge of footrest Small: 35-46 cm Medium 36-47 cm Large 37-48 cm _____ cm					
	<input type="checkbox"/>	FRH: Footrest height (Alternative to VSL)	FRH-1 _____ cm	FRH-2 _____ cm			
953599990?70 £ 0	<input type="checkbox"/>	Angle adjustable Hawk footrest (Note: FRD 14 cm deep) (std.)					
829999010003 £ 405	<input type="checkbox"/>	Footplate that can be flipped up to the rear (Fill out FRD)					FRD: _____ cm
829999010009 £ 388	<input type="checkbox"/>	Open footrest (Note: FRD: 8-15 cm) (Expect longer delivery time)				FRD: _____ cm	
840710001010 £ 652	<input type="checkbox"/>	Freewheel FreeWheel ^(br) <small>Wheelslip Attachment</small>					
		FRA: Tilt on footrest in cm from the front to the back					
		0 cm <input type="radio"/>	1 cm <input type="radio"/>	1,5 cm <input type="radio"/>	2 cm <input type="radio"/>		2,5 cm <input type="radio"/>

Sideguards (not optional with armrest)			
Attachment system		Lift-off	Foldable on seat
			
Sideguard		95359930005C	681000010010
88100010000?	Dibond (std.)	<input type="radio"/> £ 0	<input type="radio"/> £ 0
88100020000?	Carbon	<input type="radio"/> £ 559	<input type="radio"/> £ 559
88100030000?	Carbon w. mudguard	<input type="radio"/> £ 617	<input type="radio"/> £ 617
767000000010	Thermal protection (3 mm)	<input type="checkbox"/> £ 132	

Armrest with ABS sideguards			
951000080220 88110010000? £ 380	<input type="radio"/>	ABS-sideguards - 23,5 cm Armrest pad, short	
951000080126 88110010000? £ 380	<input type="radio"/>	ABS-sideguards - 23,5 cm Armrest pad, staggered 2 cm	
951000080121 88110010000? £ 380	<input type="radio"/>	ABS-sideguards - 27,5 cm Armrest pad	
951000080122 88110010000? £ 380	<input type="radio"/>	ABS-sideguards - 27 cm Armrest pad, staggered 2 cm	
	<input type="checkbox"/>	AS: Height from seat tube to top of armrest (Note: e.g., With 24" wheels and SH-r 41-43 will min. be 23 cm and max. be 29 cm)	

Pushhandles			<input type="checkbox"/> NEIN / NEJ
885200011007 £ 405	<input type="checkbox"/>	Height adjustable push handles	
885200051007 £ 445	<input type="checkbox"/>	Foldable push handles mounted on consol with offset from back tubes	
8852000510?? £ 142	<input type="checkbox"/>	Foldable push handles mounted back tubes (Does not work with ILSA back)	

Accessories			
953500003000 £ 138	<input type="checkbox"/>	Double crutch holder (2 x Ø47 mm) Right	
	<input type="checkbox"/>	Double crutch holder (2 x Ø47 mm) Left	
		(Note that crutch holder can't fit together with anti-tip on small frames and 35/37,5 cm SW)	
7600000100?? £ 55 £ 50	<input type="checkbox"/>	Frame protectors front frame	
	<input type="checkbox"/>	Frame protector crosstube on backrest	
76100000000? £ 125 £ 174	<input type="checkbox"/>	Bag for catheter etc. (can be fixed under the seat) Small	
	<input type="checkbox"/>	Bag for catheter etc. (can be fixed under the seat) Large	
7711000007?? £ 85 £ 85 £ 85	<input type="checkbox"/>	BodyPoint calf strap Small 32" (81cm)	
	<input type="checkbox"/>	BodyPoint calf strap Medium 36" (91cm)	
	<input type="checkbox"/>	BodyPoint calf strap Large 40" (101cm)	
771100000747 £ 85	<input type="checkbox"/>	BodyPoint Mobility Bag (medium)	

Bremser (anbefalet valg)		<input type="checkbox"/> NEIN / NEJ
885110101001 £ 0	<input type="radio"/> Push-action wheel locks (Aluminium)	
885110101003 £ 0	<input type="radio"/> Push-action wheel locks (Aluminium), bended handles (horizontal)	
885110122002 £ 47	<input type="checkbox"/> Right extension handles for brake (Only for push-action wheel locks)	
885110122002 £ 94	<input type="checkbox"/> Left extension handles for brake (Only for push-action wheel locks)	
	<input type="checkbox"/> Both sides - extension handles for brakes	
885110201009 £ 125	<input type="radio"/> Scissor wheel-locks with spring	
885110200909 £ 155	<input type="radio"/> Scissor wheel-locks without spring	
885110101101 £ 155	<input type="radio"/> Push-action wheel locks (fibre plastic)	
885110201209 £ 175	<input type="radio"/> Scissor wheel locks small (fibre plastic)	

Subject to price changes, due to special combinations and checkbox errors

Estimated Price (tax not included)



Fill in and send to Wolturnus - Ausfüllen und an Wolturnus senden - Udfyld og send til Wolturnus

Subject to Technical Modifications and Pricing Errors / Technische Änderungen und Druckfehler vorbehalten
Forbehold for tekniske ændringer og trykfej

© Wolturnus AS OF HAWK Winter 2024 v4.0



WOLTURNUS

Kundeservice/Customer Service

Wolturnus A/S
Skalhuse 31
9240 Nibe

Phone/Telefon: +45 96 71 71 70

www.wolturnus.dk

Mail: ordre@wolturnus.dk

Produktion/Production

Wolturnus A/S
Halkjærvej 24B
9240 Nibe