

Yomper+ - Power add-on for manual wheelchairs.

Weight with 24v160Wh battery : 5.8kg

Weight with 24v240Wh battery : 6.15kg

Compatible for air transport

Autonomy : 23 to 35km

Speed : from 3 to 10km/h

Max user weight : 150 kg

Warranty : 2 years excluding wear parts



Date* : *Mandatory

Language of the user manual* :

(NL)
 (DE)
 (FR)
 (EN)
 (IT)
 (ES)

Plug type* (the default shipment is an FR plug)

04110064
 04110065
 04110066

04110067
 04110068
 04110069

DO NOT FORGET TO COMPLETE THE MANDATORY ELEMENTS FOR THE VALIDATION OF YOUR ORDER ON PAGE 4 OF THIS DOCUMENT.

| YOMPER+ FOR RIGID FRAME | | CHOICE | QUANTITY | |
|--|--|--------|----------|--|
| YP6ARF £4,195.00 | YOMPER+ PACK YP2606 : Equipped with a 24v160Wh battery - 23km of autonomy YP114F : Mounting support for rigid frame Transport case included | | | |
| YP10ARF £4,395.00 | YOMPER+ MAX PACK <i>Recommanded for long distances, very hilly routes, and/or users > 90kg</i> YP2610 : Equipped with a 24v240Wh battery - 35km of autonomy YP114F : Mounting support for rigid frame Transport case included | | | |
| Pour YP114F + BARRE SOUS ASSISE | | | | |
| YPA0113 | Only for wheelchairs without an under seat bar Option: Adaptable under-seat support bar (32cm to 48cm seat width) £259.00 | | | |
| ADAPTATION SPECIAL | | | | |
| YPA0122 | 3 Trace S (Specify seat width) : cm Support replacing the support included in the price £343.00 | | | |
| YPA0124 | 3 Ottobock Zenit R (Précisez la largeur d'assise) : cm Support replacing the support included in the price £343.00 | | | |
| YPA0137 | 1 Panthera S3 / U3 Specific parts that can be added to the YP114F support £380.00 | | | |
| YPA0138 | 1 Netti 4u Attention utilisable uniquement en commande tierce personne Specific parts that can be added to the YP114F support £380.00 | | | |

| Ref. | Description | Choice | Quantity |
|-------------------------------|--|---------|----------|
| Attendant mode | | | |
| YPA0013 | Wired dimmer for attendant Can be used with or without Bluetooth control box Include : ▶ YPA0036 Fixing the control box on the backrest (clip) ▶ YPA0035 Attendant offset - Length 100 cm Optional extension on request | £88.00 | |
| Additional accessories | | | |
| YPA114RF | Additional complete fixing kit for rigid frame wheelchair <i>Specify the desired configuration</i> | £342.00 | |
| YP115FF | Additional complete fixing kit for foldable frame wheelchair <i>Specify the desired configuration</i> | £495.00 | |
| ACK-7S2P-2.6 | 24v6Ah Lithium-ion battery (<i>additional, without charger</i>) | £342.00 | |
| ACK-7S3P-2.6 | 24v10Ah Lithium-ion battery (<i>additional, without charger</i>) | £494.00 | |
| YPA0002 | Yomper charger (<i>additional</i>) | £61.00 | |
| Information client | | | |
| ▲ IMPORTANT | Maximum desired speed (default: 6km/h ; maximum: 10km/h) | | |

All our Yomper + Packs include :

- 1x Yomper transport case
- 1x Yomper+
- 1x A 24V160Wh or 24V240Wh battery
- 1x Yomper charger
- 1x Transport case for EasyGo
- 1x EasyGo order pack :
 - 1x Easy go control control box
 - 1x Attachment on the leg
 - 1x Attachment for the wheelchair
 - 1x USB charging cable
- 1x User manual and quick guide



YOMPER+ COMPATIBILITY CHECK

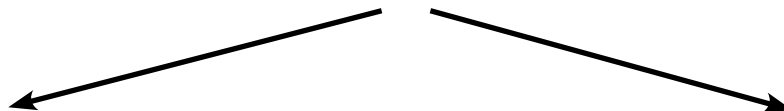
Installation & features of the chair (Rigid frame)

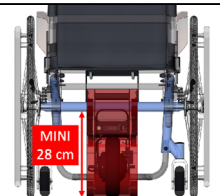
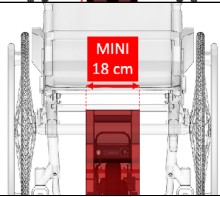
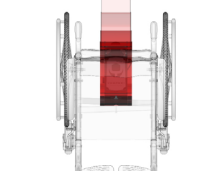
Consult the compatibility table before continuing



(Click on the 'Compatibility table' or scan the 'QR Code')



Is your wheelchair referenced in the table?



| YES | |
|---|---|
| Brand | |
| Model | |
| Year | |
| Seat width | |
| Wheel size | |
| The height from the ground to the carrossage bar is higher than 28 cm? YES NO |  |
| Is the available width in the center of the chair greater than 18cm? YES NO |  |
| Is the space free in the back? YES NO |  |

| NO | |
|---|--|
| <p>Please contact Susurro by emailing info@susurro.co.uk with the make and model of wheelchair along with any other relevant information to be able to check the compatibility with AceKare</p> | |
|  | |
|  Ticket n° | |



Your order will be taken into account only after reception of all these elements.
They allow us to validate the good compatibility of the Yomper+ and the choice of parts.



ESSENTIAL ELEMENTS TO VALIDATE YOUR ORDER

YOMPER+ USER INFORMATION to be completed by the user with the dealer



PLEASE INDICATE YOUR CHOICE:

I agree to respect these rules of use and safety every time I use my Yomper + with my wheelchair **equipped with an anti-tilt device.**

I undertake to respect these rules of use and safety every time I use my Yomper + , but I wish to use my wheelchair **without the anti-tilt device.**

I have been informed of the risk of my wheelchair tipping backwards when using the Yomper+ without an antitipper and therefore take full responsibility for using my wheelchair with the Yomper+ without antitipper.

Delivery address and distributor stamp :

Billing address and distributor stamp (if different) :

Signature of the user :

Comments:

Yomper+ Recommendations:

The use of Yomper+ is simple and intuitive, but requires a reminder of the important points before setting off in order to use your Yomper safely for a long time.

We ask you to read the user's manual carefully and to adapt the speed and nervousness settings to your environment and personality.

We recommend that you deactivate your Yomper+ using your "Easy Go" control box when transferring, crossing, or in situations where it is safer to deactivate your Yomper+.

We recommend that you take great care when going downhill and that you use an anti-tilt device on your wheelchair.