

StreetJet Compatibility Guide



Rev.:01/2023

Wheelchair brand / model	Docking	Wheelchair brand / model	Docking
Sunrise Medical		RGK	
Nitrum	C	Tiga	B
Nitrum Hybrid	C	Tiga Sub4	B
Helium	C	Tiga F2	B
Xenon ²	C	Octane	B
Xenon ² Hybrid	C	Octane Sub4	B
Argon ²	B	Hilite	B
Neon ²	A	Hilite XTR	B
Easy 200	A	Maxlite	A
Easy Life R	A	Pro Activ	
Easy Life F	A	Traveler	B
Easy max	A	Speedy	B
		Buddy	B

Please note: The above list is an indication of wheelchair models the StreetJet can be mounted on. However, frame shape, CoG, wheel-size, and seat-depth are of influence. Additionally, a straight section of the frame tube of at least 45 mm is also necessary for the attachment of the clamps. Therefore, it is essential to try and test it to be 100% sure! Or ask your supplier for advice. The compatibility guide only shows wheelchairs with a signed combination agreement. Find 6-Step-Compatibility-Check on the next page.

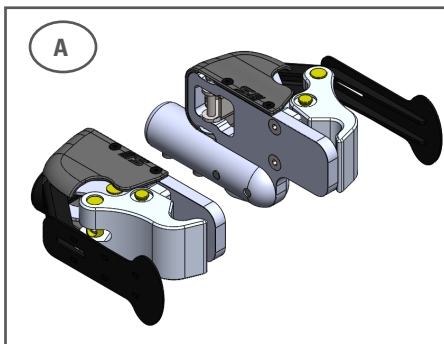
StreetJet

6-Step-Compatibility-Check

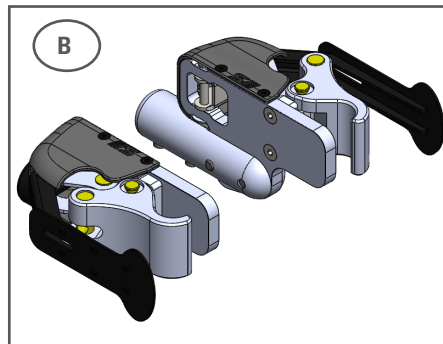
The StreetJet is compatible to wheelchairs with box and open frame or similar frame type with frame integrated footrests and a frame angle between 75° and 90°. To ensure the compatibility of the StreetJet to the wheelchair, please follow the compatibility check guidance below.

1 - Combination agreement - Check, if the combination between the StreetJet and your specific wheelchair is approved. The combination overview can be found on www.sunrisemedical.eu

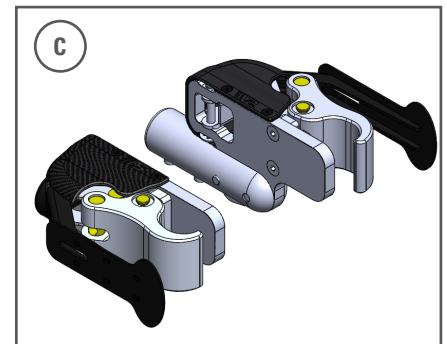
2 - Front Frame Tube Diameter - Check if the available StreetJet mounting clamps fit to the front frame tubes of the wheelchair. The following clamp shapes are available:



Version A
One Touch Clamps for round tube frames, adjustable diameter 19mm - 24mm (STE010053)

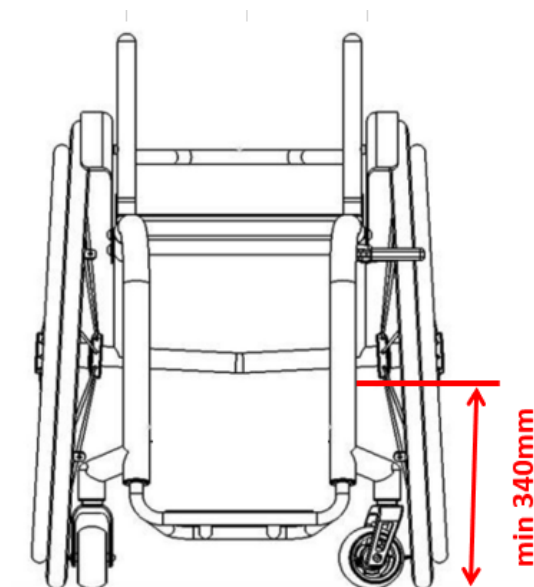


Version B
One Touch Clamps for round tube frames, adjustable diameter 25mm - 35mm (STE010054)



Version C
One Touch Clamps for oval tubes (Quickie Helium, Quickie Nitrum, Quickie Xenon² FF) (STE010059)

3 - Minimum Mounting Height Measurement - The optimal angle of the StreetJet to the ground is 80°. For optimal performance, it is recommended to not fall below 340mm minimum mounting height (measured from floor to bottom edge of the clamp).



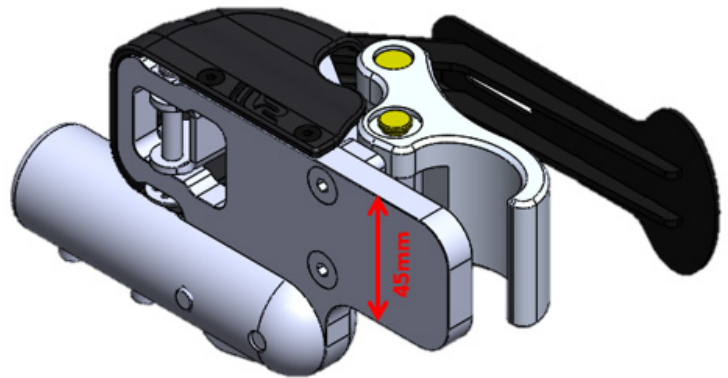
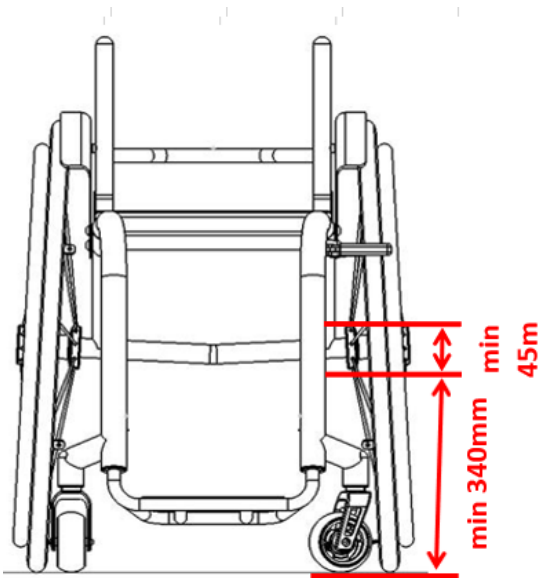
12" & 16" wheel

340mm minimum mounting height

StreetJet

6-Step-Compatibility-Check

4 - Straight Tube Section Measurement - To fit the One Touch Clamps properly a straight section on the frame tube of at least 45 mm is needed. Please check if there is a straight section on the front frame tube of at least 45mm, at the minimum mounting height or above. If there is an inset, the mounting position of the clamps must be below the bend.

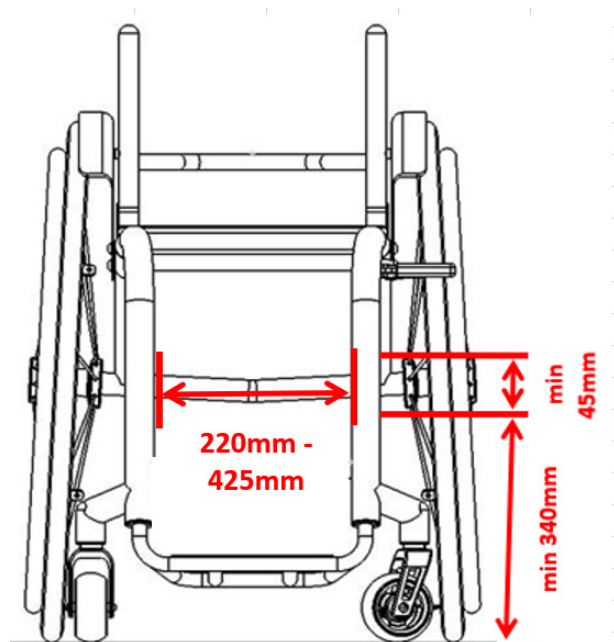


12" & 16" wheel
340mm minimum mounting height

5 - Front Frame Width Measurement - The width of the front frame measured inside tube to inside tube on the minimum mounting height or above needs to be between 220mm - 425mm.

Measured width differs from the seat width due to the measuring method or frame version (inset, V indentation, ab- or adduction, etc.). Use only the measured dimension and not the seat width to check the compatibility.

Please select the appropriate front frame width range on the order form!



Front Frame width ranges:

- 220-275 mm
- 275-330 mm
- 330-425 mm

StreetJet

6-Step-Compatibility-Check

6 - Footrest Height Measurement - The distance measured from the ground to the underside of the footrest needs to be at least 60mm

