

## Fitting / Order form

Prices valid from: 15-04-2024

Dealer information	
Customer (name / code)	/
Contact	
Address	
Post code / City	/
Phone / Fax	/

Delivery address	
Name	/
Address	
Post code / City	/
Phone	
E-mail	
Your reference	
Your order number	

# TiLite ZRA



Fitting date		User weight
Fitting date (dd-mm-yyyy)		kg

- Required choice
- /  Optional choice
- /  Default required option

	Price
code	excl VAT    incl VAT

### FRAME STYLE

Z2FS2	<input type="checkbox"/>	<b>TILITE ZRA SERIES 2</b> <i>(Full Adjustability. 265 Pound (120 kg) Weight Limit. 150 Pound(68 kg) Weight Limit for Rear Seat Width A and Seat Depth B of 10"x10" to :</i>	3189.00
Z2HDR1	<input type="checkbox"/>	<b>FRAME, HEAVY DUTY</b> <i>(300 Pound (136 kg) Weight Limit. No charge when 20" Rear Seat Width A and 20" Seat Depth B are selected. Includes Tension Adjustable by Straps Back Upholstery. Requires Folding Aluminum Adjustable Height Backrest, Billet Aluminum Front Wheels, Shadow or Spinergy SPOX Rear Wheels. LX Rear Wheels only available with 0 or 2 degree camber. Not available with Slipstream Fork, Velcro Adjustable Upholstery, Swing Away Tubular Armrest or Swing Away Flip Back Tubular Armrest.)</i>	382.00
Z2RFR1	<input type="checkbox"/>	<b>FRAME, REINFORCED</b> <i>(No charge when 20" Rear Seat Width and 20" Seat Depth or Heavy Duty is selected.)</i>	298.00

### LANGUAGE USER MANUAL

Language	Choose	
----------	--------	--

### TRANSPORT OPTIONS

Z2WTB	<input type="checkbox"/>	<b>TRANSPORT BRACKETS</b> <i>(Consists of four Tie-Down Brackets. Unoccupied use only. Please refer to the ZR Transport Bracket Supplement for important information regarding the Transit Options)</i>	304.00
-------	--------------------------	--	--------

### FRAME FINISHES

Z2FF1	<input type="checkbox"/>	<b>TITANIUM - SATIN FINISH</b> <i>(Available with Titanium Frame only.)</i>	0.00
Z2SCBT1	<input type="checkbox"/>	<b>BUFFING PADS SATIN FINISH</b>	
Z2FF3	<input type="checkbox"/>	<b>TATTOO ON TITANIUM AND ALUMINIUM FRAME</b> <i>(Tattoos on front frame tubes. Titanium frame finished in Satin. Aluminum frame is tattooed on blasted aluminum with a clear coat. Tattoos will be trimmed and adjusted to fit your frame.)</i>	304.00
Z2FF44	<input type="checkbox"/>	<b>TATTOO FLOWER GARDEN</b>	0.00
Z2FF45	<input type="checkbox"/>	<b>TATTOO NEED FOR SPEED</b>	0.00
Z2FF43	<input type="checkbox"/>	<b>TATTOO MOSAIC</b>	0.00



**COLOR**

<b>High Gloss Paint</b>	<input type="checkbox"/> Z2FF8	HIGH GLOSS BLACK	<input type="checkbox"/> Z2FF10	TILITE RED	<input type="checkbox"/> Z2FF29	NEON PINK
<b>Metallin Paint</b>	<input type="checkbox"/> Z2FF14	OCEAN BLUE METALLIC	<input type="checkbox"/> Z2FF15	TANGERINE METALLIC	<input type="checkbox"/> Z2FF29	ACID GREEN METALLIC
<b>Pearlescent Paint</b>	<input type="checkbox"/> Z2FF17	MIDNIGHT BLUE PEARL	<input type="checkbox"/> Z2FF18	WHITE PEARL		
<b>Matte Paint</b>	<input type="checkbox"/> Z2FF19	BLACK LAVA	<input type="checkbox"/> Z2FF27	TITANIUM GRAY		
<b>Candy Paint</b>	<input type="checkbox"/> Z2FF22	RUBY RED	<input type="checkbox"/> Z2FF23	AZURE BLUE	<input type="checkbox"/> Z2FF29	ELECTRIC PLUM
<b>Matte texture Paint</b>	<input type="checkbox"/> Z2FF40	HYPER BLUE	<input type="checkbox"/> Z2FF41	FLAME ORANGE	<input type="checkbox"/> Z2FF29	OD GREEN

**COLOR ANODIZE PACKAGE**

*(Color Anodize Package includes: Caster Mount, Caster Fork, and Caster Caps. If no anodize color is selected, the default will be black.)*

Z2ANO1	<input type="radio"/>	COLOR ANODIZE PACKAGE- BLACK	0.00
Z2ANO12	<input type="radio"/>	COLOR ANODIZE PACKAGE- GOLD	47.00
Z2ANO15	<input type="radio"/>	COLOR ANODIZE PACKAGE- GREEN	47.00
Z2ANO13	<input type="radio"/>	COLOR ANODIZE PACKAGE- PURPLE	47.00
Z2ANO14	<input type="radio"/>	COLOR ANODIZE PACKAGE- ORANGE	47.00
Z2ANO10	<input type="radio"/>	COLOR ANODIZE PACKAGE- BLUE	47.00
Z2ANO11	<input type="radio"/>	COLOR ANODIZE PACKAGE- RED	47.00

**TiFit: TAILORED INDIVIDUALIZED FRAME**

**REAR SEAT WIDTH (A)**

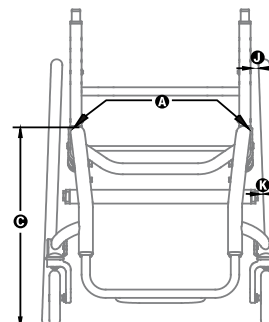
Measure from outside of seat tube at back post to the outside of the opposite seat tube at back post to the outside of the opposite seat tube at back post.

Z2RSW4-10	<input type="checkbox"/>	REAR SEAT WIDTH 10"	<input type="checkbox"/> 11" <input type="checkbox"/> 12" <input type="checkbox"/> 13" <input type="checkbox"/> 14"	0.00
			<input type="checkbox"/> 16" <input type="checkbox"/> 17" <input type="checkbox"/> 18" <input type="checkbox"/> 19"	
Z2RSW2	<input type="checkbox"/>	REAR SEAT WIDTH 20"		434.00

**FRONT SEAT WIDTH (SEAT TAPER) (T)**

Measure from inside of front frame tube to inside of opposite front frame tube. (Required with V-Front End (V). Not Available with Standard Front End (I))

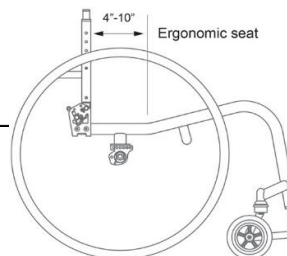
Z2FSW1	<input type="checkbox"/>	FRONT SEAT WIDTH WITH NOTAPER <i>(2.5" Narrower than Rear Seat Width A.)</i>	0.00
Z2FSW3	<input type="checkbox"/>	FRONT SEAT WIDTH WITH 1.5" TAPER <i>(4" Narrower than Rear Seat Width A. Includes Tension Adjustable by Straps Seat Upholstery. Not available with 10" and 11" Seat Widths A.)</i>	247.00



**SEAT DEPTH (B)**

Measure from front of back post to the front edge of seat sling. Frame bend will start .5" in front of seat sling unless Custom Frame Depth is specified, or the combination of specifications affect the rolling dynamics of the chair.

Z2SD1-10	<input type="checkbox"/>	SEAT DEPTH 10"	<input type="checkbox"/> 11" <input type="checkbox"/> 12" <input type="checkbox"/> 13" <input type="checkbox"/> 14"	0.00
			<input type="checkbox"/> 16" <input type="checkbox"/> 17" <input type="checkbox"/> 18" <input type="checkbox"/> 19"	
Z2SD2	<input type="checkbox"/>	SEAT DEPTH 20" <i>(Custom seat depth available through CMD)</i>		457.00



**ERGONOMIC SEAT (U)**

Measure from front of back post to beginning of upward bend of seat tube.

Z2ERG2-6	<input type="checkbox"/>	AERO T AND TRA ERGONOMICSEAT		361.00
	<input type="radio"/>	6" (B)=12"+	<input type="radio"/> 7" (B)=12"+ <input type="radio"/> 8" (B)=13"+	

**FRONT SEAT HEIGHT (C)**

Measure from floor to top of seat tube at front edge of seat sling

Z2FSH1-16  FRONT SEAT HIGHT 16"  15.5"  16"  16.5"  17"  17.5"  18"   
  18.5"  19"  19.5"  20"  20.5"  21"

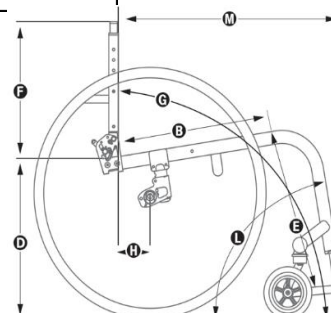
0.00

**REAR SEAT HEIGHT (D)**

Measure from floor to top of seat tube at back post.

Z2RSH1-12.5  12.5"  14.5"  16.5"  18.5"   
  13"  15"  17."  19"   
  13.5"  15.5"  17.5"  19.5"   
  14"  16"  18."  20"

Rear wheel size	Rear seat height
20"	12.5"-20"
22"	13.5"-20"
24"	14.5"-20"
25"	15.0"-20"
26"	15.5"-20"



0.00

**FRONT ANGLE or OVERALL FRAME LENGTH**

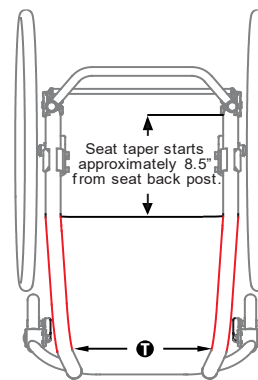
Select one. If Overall Frame Length is selected, front angle will be bent to achieve requested length.

Z2FA1-70  FRONT ANGLE 70° 0.00  
 Z2FA1-75  FRONT ANGLE 75° 0.00  
 Z2FA1-80  FRONT ANGLE 80° 0.00  
 Z2FA1-85  FRONT ANGLE 85° 0.00 *(L) Measure from frame front to floor. (Not available with 6" Front Wheels.)*  
 Z2FA1-90  FRONT ANGLE 90° 0.00 *(Not available with 5" or 6" Front Wheels.)*  
 Z2FA2  OVERALL FRAME LENGTH NCO  
 Measure from front of backrest to Front Edge of Footrest. M=  "

**SEAT TO FOOTREST (E)**

Measure from front edge of seat sling to top rear of footrest.

STFR-xxx  STANDARD FOOTREST 0.00  
 Measurement must be at least 2" shorter than Front Seat Height (C).  
 13.5"  15"  16.5"  18."   
  14"  15.5"  17."  18.5"   
  14.5"  16"  17.5"  19"



Z2FTR3  FOOTREST ANGLE ADJUSTABLE 0.00  
 Z2FTR1  FOOTREST TITANIUM WITH FLAT ABS COVER 171.00  
 Z2FTR2  FOOTREST TITANIUM OPEN LOOP 230.00  
 Z2FTR12  FOOTREST FLIP-BACK 188.00  
*(Not available with 10" or 11" Rear Seat Width A or Heavy Duty Frame.)*

STFR-xxx  HIGH MOUNTED FOOTREST 0.00  
 STFR-S  7" - 9" Set at:  "  
 STFR-M  9"- 11" Set at:  "  
 STFR-L  11"- 13" Set at:  "

Z2FTR4  FOOTREST ANGLE ADJUSTABLE HIGH MOUNT 89.00

**FOOTREST WIDTH (I) or (V)**

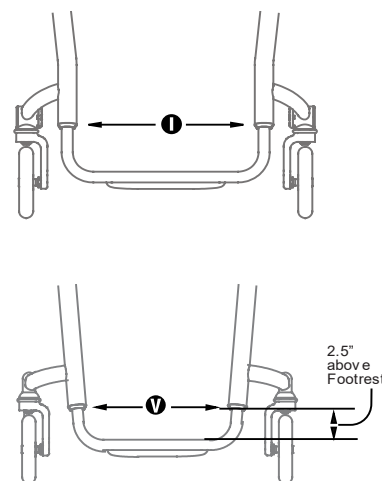
Select either a Standard Front End (I) if no Seat Taper (T) is selected or a V-Front End (V) if a Seat Taper (T) is selected

**STANDARD FRONT END (I)**

Find your Rear Seat Width A in the Chart below and select one of the options to the right. Measure from inside of front frame tube to inside of opposite front frame tube. (Not available with Front Seat Width (Seat Taper) T.)

Z2FE1-0  STANDARD FRONT END NO TAPER 0.00  
*(Required when both Heavy Duty Frame and Seat Taper T are selected.)*

REAR SEAT WIDTH <i>(Outside measurement)</i>	No Taper	1.5" Taper	3.5" Taper
	<i>(2.5" Narrower than rear seat width)</i>	<i>(4" Narrower than rear seat width)</i>	<i>(6" Narrower than rear seat width)</i>
10	<input type="radio"/> 7.5"		
11"	<input type="radio"/> 8.5"		
12"	<input type="radio"/> 9.5"	<input type="radio"/> 8"	
13"	<input type="radio"/> 10.5"	<input type="radio"/> 9"	
14"	<input type="radio"/> 11.5"	<input type="radio"/> 10"	
15"	<input type="radio"/> 12.5"	<input type="radio"/> 11"	<input type="radio"/> 9"
16"	<input type="radio"/> 13.5"	<input type="radio"/> 12"	<input type="radio"/> 10"
17"	<input type="radio"/> 14.5"	<input type="radio"/> 13"	<input type="radio"/> 11"
18"	<input type="radio"/> 15.5"	<input type="radio"/> 14"	<input type="radio"/> 12"
19"	<input type="radio"/> 16.5"	<input type="radio"/> 15"	<input type="radio"/> 13"
20"	<input type="radio"/> 17.5"	<input type="radio"/> 16"	<input type="radio"/> 14"



**V-FRONT END (V)**

Measure from inside of front frame tube to inside of opposite front frame tube 2-1/2" above footrest. (Required with Front Seat Taper T. Titanium Footrests have 1" of adjustment up and down. Not available with Ergonomic Seat frames.)

Z2FE2-9  FOOTREST FRONT END WIDTH--V 9" 101.00  
 10"  11"  12"  13"  14"  15"

**BACKREST UPHOLSTERY**

*(Want more seating options? Click here to view the new TiLite Seating Order Form.)*

Z2BUP2  BACK UPHOLSTERY VELCRO ADJUSTABLE 0.00  
*(Not available with Fold-Down Push Handles.)*

**Tension Adjustable by Straps**

*(Required with Fold-Down Push Handles.)*

Z2BUP3  BACK UPHOLSTERY STRAPS TENSION ADJUSTABLE 97.00

Z2BUP5  UPHOLSTERY AIR BREATHABLE 171.00  
*(Not available with Ultrasuede Backrest Stripe.)*

Z2UPC3-BL  UPHOLSTERY BACKREST STRIPE ULTRASUEDE BLACK 92.00

Z2BUP0  WITHOUT BACK UPHOLSTERY 0.00

**SEAT BACK TYPE/PUSH HANDLES/SEAT BACK HEIGHT (F)**

Measure from top of back post to top of seat tube at rear of frame.

Z2SB1  FOLDING ALUMINUM ADJUSTABLE HEIGHT SEAT BACK 0.00  
*(Required for Heavy Duty Frame.)*

Z2SB2  FOLDING TITANIUM ADJUSTABLE HEIGHT 171.00  
*(Titanium back will match Frame Finish. Not available with Bolt-On Push Handles.)*

Z2SB15  SEAT BACK, NON-FOLDING, FIXED-HEIGHT TITANIUM 247.00  
*(Titanium back will match Frame Finish. Not available with Push Handles.)*

**TISHAFT™ BACK RELEASE BARS**

*(Not available with Non-Folding, Fixed Height Titanium Back.)*

Z2SB3  BACK RELEASE BAR ALUMINUM TISHAFT 0.00

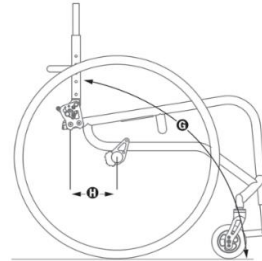
Z2SB5  BACK RELEASE BAR CARBON FIBER TISHAFT 61.00

**PUSH HANDLES (select above)**

Z2SB6	<input type="checkbox"/>	PUSH HANDLES INTEGRATED	0.00
Z2SB7	<input type="checkbox"/>	PUSH HANDLES INTEGRATED FOLD-DOWN <i>(Requires Tension Adjustable by Straps Back Upholstery.)</i>	101.00
Z2SB8	<input type="checkbox"/>	PUSH HANDLES BOLT-ON <i>(Includes 4" Deep Backrest Rigidizer Bar. Not available with Ti Back.)</i>	171.00
Z2SB9	<input type="checkbox"/>	PUSH HANDLES BOLT-ON HEIGHT ADJUSTABLE <i>(Includes 4" Deep Backrest Rigidizer Bar. Not available with Ti Back.)</i>	294.00

**FOLDING SEAT BACK HEIGHT (F) (Z2SB1 and Z2SB2)**

PUSH HANDLES (select above)	Short	Medium	Tall	use 0.5" increments
None/Bolt on	9.5"-12.5"	13.5"-17.5"	17"-21.5"	Set at:
Integrated	11.5"-13.5"	14.5"-17.5"	18.5"-21.5"	Set at:
Integrated fold down	14"-16.5"	15"-19.5"	19.5"-22"	Set at:



**NON-FOLDING, FIXED-HEIGHT (F) TITANIUM SEAT BACK**

with New Rounded Rigidizer Bar

(Titanium back will match Frame Finish. Required for fixed Side Guards. Not available with Swing Away Tubular or Swing Away - Flip Back Tubular Armrests and Integrated Push Handles, Integrated Fold-Down Push Handles or Bolt-On Height Adjustable Push Handles.)

Height 8" to 20" in 0.5" steps

Set at:	"
---------	---

**AVAILABLE ON ALL BACKS**

Z2SB11	<input type="checkbox"/>	BACKREST THAT LOCKS IN FOLDED POSITION <i>(Not available with Ergonomic Seat.)</i>	0.00
Z2SB19	<input type="checkbox"/>	4" DEEP BACKREST RIGIDIZER BAR <i>(Required with Heavy Duty Frame. Not available with a Non-Folding, Fixed Height Titanium Seat Back Type. 4" Deep Rigidizer Bar is NOT a rounded style rigidizer bar.)</i>	0.00
Z2SB16	<input type="checkbox"/>	BACK/FRAME DEPTH ADJUSTABLE <i>(Seat Depths B of 10"-18" allow 2" of rearward adjustment. Height Adjustable Push Handles have a limited height range with Depth Adjustable Back. Not Available with 19" or 20" Seat Depths B, Heavy Duty Frame, Tension Adjustable By Straps Seat Upholstery or Carbon Fiber Side Guards.)</i>	179.00

**SEAT BACK ANGLE (G)**

Measure angle from front of back post to floor.

Z2SBA3-80	<input type="radio"/> SEAT BACK ANGLE FOR NON-FOLDING BACK 80° <input type="radio"/> 83° <input type="radio"/> 89° <input type="radio"/> 95° <input type="radio"/> 101° <input type="radio"/> 86° <input type="radio"/> 92° <input type="radio"/> 98°					0.00
Z2SBA3-80	<input type="radio"/> SEAT BACK ANGLE FOR NON-FOLDING BACK 80° <input type="radio"/> 81° <input type="radio"/> 85° <input type="radio"/> 89° <input type="radio"/> 93° <input type="radio"/> 97° <input type="radio"/> 101° <input type="radio"/> 82° <input type="radio"/> 86° <input type="radio"/> 90° <input type="radio"/> 94° <input type="radio"/> 98° <input type="radio"/> 83° <input type="radio"/> 87° <input type="radio"/> 91° <input type="radio"/> 95° <input type="radio"/> 99° <input type="radio"/> 84° <input type="radio"/> 88° <input type="radio"/> 92° <input type="radio"/> 96° <input type="radio"/> 100°					0.00

**CENTER OF GRAVITY (H)**

Measure from front of back post at the seat tube to the center of the rear axle. If no center of gravity is selected, chair will ship with the center of gravity in the rearward-most position.

Z2COG1-0	<input type="radio"/> CENTER OF GRAVITY 0" <input type="radio"/> 1.25" <input type="radio"/> 2.25" <input type="radio"/> 3.25" <input type="radio"/> 4.25" <input type="radio"/> 1.5" <input type="radio"/> 2.5" <input type="radio"/> 3.5" <input type="radio"/> 4.5" <input type="radio"/> 1.75" <input type="radio"/> 2.75" <input type="radio"/> 3.75" <input type="radio"/> 4.75" <input type="radio"/> 2" <input type="radio"/> 3" <input type="radio"/> 4" <input type="radio"/> 5"	0.00
----------	--	------

**REAR WHEEL SPACING (J) / PLUGS**

Measure from outside of seat back post to inside of rear tire. TRA 0.75" Rear Wheel Spacing not available with 0° or 2° Camber K. Ergonomic Seat selection may limit available center of gravity.

Z2RWS1-0.75	<input type="radio"/> REAR WHEEL SPACING 0.75" <input type="radio"/> 1" <input type="radio"/> 1.25"	0.00
Z2CBR12	<input type="checkbox"/> CAMBER PLUGS - ADJ REAR WHEEL	0.00
Z2CBR9	<input type="checkbox"/> SPACERS TO INCREASE REARWHEEL SPACING, ADDITIONAL	0.00
Z2CBR11	<input type="checkbox"/> CAMBER PLUGS 2°, 4°, OR 6° ZERO PLAY ALUMINUM <i>(Not available with Power Adaptable Frame or more than 6° of Camber K.)</i>	0.00

**SEAT UPHOLSTERY**

Z2SUP1	<input type="checkbox"/> TENSION ADJ. BOLT ON SEAT UPHOLST. W/ PHONE SLEEVE <i>(Not available with 10" or 11" Rear Seat Width A)</i>	0.00
Z2SUP2	<input type="checkbox"/> TENSION ADJUSTABLE BY STRAPS SEAT UPHOLSTERY <i>(Not available with 10" or 11" Rear Seat Width A or Ergonomic Seat)</i>	185.00
Z2SUP8	<input type="checkbox"/> SOLID SEAT, ALUMINUM <i>(Not available with 10" or 11" Rear Seat Width A or Ergonomic Seat)</i>	247.00
Z2SUP0	<input type="checkbox"/> WITHOUT SEAT UPHOLSTERY	0.00

**CAMBER (K) / CAMBER TUBES**

Z2CBR1-0	<input type="radio"/> 0° CAMBER <input type="radio"/> 2° <input type="radio"/> 4° <input type="radio"/> 6° <i>(More than 0° of Camber K is not available with the Power Adaptable Frame. 8° of Camber may be available through our Creative Mobility Division.)</i>	0.00
Z2CBR15	<input type="checkbox"/> CAMBER TUBE ALUMINIUM	0.00
Z2CBR3	<input type="checkbox"/> CAMBER TUBE TITANIUM <i>(Not available with Power Adaptable Frame.)</i>	171.00

**CUSTOM CONFIGURATION OPTIONS**
**FRONT WHEELS**

Z2FW24	<input type="checkbox"/>	3"X1.5" LITESPEED BILLETALU WHEEL W/SOFT ROLLTIRE	152.00
	<input type="checkbox"/>	SILVER HUB	
	<input type="checkbox"/>	BLACK HUB	
Z2FW14	<input type="checkbox"/>	4"X.75" PLASTIC WHEEL W/POLY TIRE	0.00
		<i>(Not available with Slipstream Fork or Power Adaptable Frame.)</i>	
Z2FW3	<input type="checkbox"/>	4"X.75" LIGHT-UP MICRO-CASTER	71.00
		<i>(Not available with Slipstream Fork or Power Adaptable Frame.)</i>	
Z2FW26	<input type="checkbox"/>	4"X1.5" LITESPEED PLASTIC WHEEL W/SOFT ROLL TIRE	83.00
		<i>(Not available with Power Assist, Power Add-on System or Heavy Duty Frame.)</i>	
Z2FW27	<input type="checkbox"/>	4"X1.5" LITESPEED BILLETALU WHEEL W/SOFT ROLLTIRE	162.00
	<input type="checkbox"/>	SILVER HUB	
	<input type="checkbox"/>	BLACK HUB	
Z2FW6	<input type="checkbox"/>	5"X1" PLASTIC WHEEL W/POLY TIRE	0.00
		<i>(Not available with 90° Front Angle L, Slipstream Fork or Power Adaptable Frame.)</i>	
Z2FW28	<input type="checkbox"/>	5"X1.5" LITESPEED PLASTIC WHEEL W/SOFT ROLL TIRE	83.00
		<i>(Not available with 90° Front Angle L or Power Adaptable Frame.)</i>	
Z2FW30	<input type="checkbox"/>	5"X1.5" LITESPEED BILLETALU WHEEL W/SOFT ROLLTIRE	179.00
	<input type="checkbox"/>	SILVER HUB	
	<input type="checkbox"/>	BLACK HUB	
		<i>(Not available with 90° Front Angle L.)</i>	
Z2FW9	<input type="checkbox"/>	6"X1" PLASTIC WHEEL W/POLY TIRE	0.00
		<i>(Not available with 85° or 90° Front Angle L, Slipstream Fork or Power Adaptable Frame.)</i>	
Z2FW32	<input type="checkbox"/>	6"X1.5" LITESPEED PLASTIC WHEEL W/SOFT ROLL TIRE	89.00
		<i>(Not available with 85° or 90° Front Angle L, Slipstream Fork or Power Adaptable Frame.)</i>	
Z2FW33	<input type="checkbox"/>	6"X1.5" LITESPEED BILLETALU WHEEL W/SOFT ROLLTIRE	188.00
	<input type="checkbox"/>	SILVER HUB	
	<input type="checkbox"/>	BLACK HUB	
		<i>(Not available with 85° or 90° Front Angle L.)</i>	

**PRECISION LOCK FRONT FORKS**

Z2FK1	<input type="checkbox"/>	FORK, STANDARD TILITE	0.00
Z2FK2	<input type="checkbox"/>	FORK, SLIPSTREAM SINGLE-SIDED TILITE	171.00
		<i>(Not available with Heavy Duty Frame or Power Adaptable Frame.)</i>	
Z2GL1	<input type="checkbox"/>	OUT-FRONT GLIDE® SUSPENSION FORKS	422.00
		USER WEIGHT	
	<input type="checkbox"/>	> 56kg	
	<input type="checkbox"/>	56kg-81kg	
	<input type="checkbox"/>	81kg-120kg	
		<i>(Black anodize only.)</i>	
Z2TS1	<input type="checkbox"/>	FORK STEMS TITANIUM	47.00

**STANDARD REAR WHEELS**

Z2RW14-20	<input type="radio"/>	WHEELS REAR 20" TILITE SHADOW	<input type="radio"/>	22"	<input type="radio"/>	24"	<input type="radio"/>	25"	<input type="radio"/>	26"	0.00
		<i>25" and 26" require 15" minimum Seat depth (B)</i>									

**PERFORMANCE REAR WHEELS**

(See Rear Seat Height Ranges Chart for Rear Seat Height D limitations.)

Z2RW7-22	<input type="radio"/> WHEELS REAR SPINERGY SPOX 22" <input type="radio"/> 24" <input type="radio"/> 25" <input type="radio"/> 26" Spinergy SPOX <input type="checkbox"/> RED <input type="checkbox"/> BLACK <input type="checkbox"/> BLUE <input type="checkbox"/> WHITE <i>25" and 26" require 15" minimum Seat depth (B)</i>	508.00
Z2RW8-22	<input type="radio"/> WHEELS REAR SPINERGY LX 22" <input type="radio"/> 24" <input type="radio"/> 25" <input type="radio"/> 26" <i>25" and 26" require 15" minimum Seat depth (B)</i> <input type="radio"/> BLACK <input type="radio"/> RED <input type="radio"/> BLUE <input type="radio"/> WHITE <input type="radio"/> BRIGHT ORANGE <input type="radio"/> FLAMINGO PINK <input type="radio"/> PURPLE	741.00
Z2RW9-22	<input type="radio"/> 22" (501) SPINERGY DESIGN LAB LX <input type="radio"/> 24" <input type="radio"/> 25" <input type="radio"/> 26" <i>25" and 26" require 15" minimum Seat depth (B)</i> <input type="radio"/> BLACK <input type="radio"/> RED <input type="radio"/> BLUE <input type="radio"/> WHITE <input type="radio"/> BRIGHT ORANGE <input type="radio"/> FLAMINGO PINK <input type="radio"/> PURPLE <i>(If same color is selected, anodized hubs and rims match color anodized package on page 1. Available with black spokes only.)</i>	741.00
Z2RW16-24	<input type="radio"/> WHEELS REAR 24" CARBON BLADE <input type="radio"/> 25" <i>(Not available with Heavy Duty Frame, 25" requires 15" minimum Seat depth (B))</i>	1124.00
Z2RW17-20	<input type="radio"/> WHEELS REAR 20" SKYWAY® MAGS <input type="radio"/> 22" <input type="radio"/> 24" <i>(Not available with Heavy Duty Frame, Short Tabs, Quad Release Axles, Spoke Guards or Omit Handrims Option. Requires Aluminum Silver Anodized Handrims.)</i>	97.00

**AXLES**

Z2AXL1	<input type="checkbox"/> AXLE QUICK RELEASE STAINLESS	0.00
Z2AXL2	<input type="checkbox"/> AXLE QUICK RELEASE TITANIUM	230.00
Z2AXL3	<input type="checkbox"/> AXLE QUAD RELEASE <i>(Not available with Mag or 26"(590) Spinergy Spox or LX Rear Wheels.)</i>	135.00

**PNEUMATIC REAR TIRES**

Z2RTR1	<input type="checkbox"/> TIRES REAR 20", 22", 24"OR 26" TREADED	0.00
Z2RTR2	<input type="checkbox"/> TIRES REAR 20",22",24",26" TREADED, AIRLESS INSERT <i>(Not available with Spinergy Carbon Blade Rear Wheels.)</i>	83.00
Z2RTR31	<input type="checkbox"/> MBL SPEEDLITE (PNEUMATIC)	0.00
Z2RTR30	<input type="checkbox"/> TIRES REAR 24",25" OR 26" PRIMO SENTINEL PNEUMATIC	114.00
Z2RTR8	<input type="checkbox"/> TIRES REAR 24" 25"OR 26"SCHWALBE MARATHON+ EVOL.	92.00
Z2RTR24	<input type="checkbox"/> TIRES REAR, KENDA KOBRA KNOBBY	78.00

**SOLID REAR TIRES**

(Not available with Spinergy Carbon Blade Rear Wheels.)

Z2RTR22	<input type="checkbox"/> TIRES REAR, SOLID, PRIMOEXPRESS	97.00
Z2RTR23	<input type="checkbox"/> TIRES REAR, SOLID, PRIMOACTIVE	117.00



## HANDRIMS

### Handrims by OUT-FRONT®

Z2RIM1	<input type="checkbox"/>	ALUMINUM- SILVER ANODIZED	0.00
Z2RIM21	<input type="checkbox"/>	ALUMINUM- BLACK ANODIZED <i>(Not available with 20"(451) Rear Wheels.)</i>	47.00
Z2RIM12	<input type="checkbox"/>	TITANIUM- SATIN FINISH <i>(Not available with 20"(451) or 22"(501) Rear Wheels, or 24"(540) Knobby tires.)</i>	400.00
Z2RIM10	<input type="checkbox"/>	THE SURGE™ BY OUT-FRONT, ALL-IN-1 OVAL, L PROFILE <i>(Not available with 20"(451) Rear Wheels.)</i>	321.00
Z2RIM11	<input type="checkbox"/>	THE SURGE™ LT BY OUT-FRONT ALL-IN-1 OVAL S PROFILE <i>(Not available with 20"(451) Rear Wheels.)</i>	347.00
Z2RIM20	<input type="checkbox"/>	Q-GRIP (TETRA GRIPP BY TETRA EQUIPMENT) <i>(Not available with 20"(451) Rear Wheels.)</i>	294.00

### The Natural-Fit® (Original, Larger Profile)

*(Not available with 20"(451) Rear Wheels.)*

Z2RIM14	<input type="checkbox"/>	NATURAL-FIT® BY OUT-FRONT - STANDARD GRIP <i>(Not available with Short Tabs or Spinergy Carbon Blade Rear Wheels)</i>	311.00
Z2RIM15	<input type="checkbox"/>	NATURAL-FIT® BY OUT-FRONT - SUPER GRIP <i>(Not available with Short Tabs or Spinergy Carbon Blade Rear Wheels.)</i>	351.00
Z2RIM16	<input type="checkbox"/>	NATURAL-FIT® BY OUT-FRONT - WITHOUT THUMB GRIP	290.00

### The Natural-Fit® LT (Reduced Weight, Smaller Profile)

*(Not available with 20"(451) Rear Wheels.)*

Z2RIM17	<input type="checkbox"/>	NATURAL-FIT® LT BY OUT-FRONT - STANDARD GRIP <i>(Not available with Short Tabs or Spinergy Carbon Blade Rear Wheels.)</i>	338.00
Z2RIM18	<input type="checkbox"/>	NATURAL-FIT® LT BY OUT-FRONT - SUPER GRIP <i>(Not available with Short Tabs or Spinergy Carbon Blade Rear Wheels.)</i>	386.00
Z2RIM19	<input type="checkbox"/>	NATURAL-FIT® LT BY OUT-FRONT - WITHOUT THUMB GRIP	315.00

### Additional handrim options

Z2RIM5	<input type="checkbox"/>	PLASTIC COATED- BLACK	114.00
--------	--------------------------	-----------------------	--------

### Tab length

Z2RIM7	<input type="checkbox"/>	HANDRIM TAB LENGTH- LONGTABS	0.00
Z2RIM8	<input type="checkbox"/>	HANDRIM TAB LENGTH- SHORT TABS <i>(Not available with Mag Rear Wheels or The Natural-Fit® Handrims with Thumb Grip.)</i>	18.00

## WHEEL LOCKS

### Wheel locks by OUT FRONT

Z2WLK7	<input type="checkbox"/>	COMPACT COMPOSITE PUSH TO LOCK WHEEL BY OUT-FRONT <i>(Available with .75" to 1.5" Rear Wheel Spacing J only.)</i>	0.00
Z2WLK8	<input type="checkbox"/>	COMPACT COMPOSITE PULL TO LOCK WHEEL BY OUT-FRONT <i>(Available with .75" to 1.5" Rear Wheel Spacing J only.)</i>	0.00
Z2WLK10	<input type="checkbox"/>	EXTENSION HANDLES FOR COMPACT COMPOSITE PUSH/PULL	78.00

### Additional wheel locks

Z2WLK11	<input type="checkbox"/>	MBL COMPOSITE SCISSOR LOCK	128.00
Z2WLK3	<input type="checkbox"/>	WHEEL LOCK UNI-LOCK <input type="checkbox"/> Push <input type="checkbox"/> Pull	144.00
Z2WLK4	<input type="checkbox"/>	EXTENSION HANDLES FOR UNI-LOCK	78.00
Z2WLK15	<input type="checkbox"/>	GRADE AIDS PUSH TO LOCK <i>(Not available with solid rear tires)</i>	159.00

## SIDE GUARDS

### Aluminium

Z2SDG2-S	<input type="checkbox"/>	SIDE GUARDS ALUMINUM, RIGID, REMOVABLE, SMALL	171.00
		<input type="checkbox"/> Small <input type="checkbox"/> Std	
Z2SDG3-S	<input type="checkbox"/>	SIDE GUARDS ALU, QUAD REMOVABLE W/ HOLE SMALL	179.00
		<input type="checkbox"/> Small <input type="checkbox"/> Std	
Z2SDG4-S	<input type="checkbox"/>	SIDE GUARDS ALUMINUM, FOLD DOWN RIGID, SMALL	294.00
		<input type="checkbox"/> Small <input type="checkbox"/> Std	
		<i>(Not available with Ergonomic Seat.)</i>	
Z2SDG6	<input type="checkbox"/>	SIDE GUARDS ALUMINUM, FENDERED ADJUSTABLE	294.00
		<i>(Available with 24" and 25" Rear Wheels. Requires Rear Seat Height D of 14.5" to 18.5".)</i>	

### New 3k Weave Carbon Fiber

Z2SDG7-S	<input type="checkbox"/>	SIDE GUARDS CARBON FIBER, RIGID REMOVABLE SMALL	268.00
		<input type="checkbox"/> Small <input type="checkbox"/> Large	
Z2SDG8-S	<input type="checkbox"/>	SIDE GUARDS CARBON, QUADREMOVABLE WITH HOLE SMALL	276.00
		<input type="checkbox"/> Small <input type="checkbox"/> Large	
Z2SDG9-S	<input type="checkbox"/>	SIDE GUARDS CARBON FIBER, FOLD DOWN RIGID, SMALL	400.00
		<input type="checkbox"/> Small <input type="checkbox"/> Large	
		<i>(Not available with Ergonomic Seat or Carbon Edition.)</i>	
Z2SDG11	<input type="checkbox"/>	CARBON FIBER FENDERED ADJUSTABLE	362.00
		<i>(Available with 24" and 25" Rear Wheels. Requires Rear Seat Height D of 14.5" to 18.5".)</i>	

### Available on Aluminum and Carbon Fiber Non-Fendered Side Guards

Z2SDG13	<input type="checkbox"/>	SIDE GUARDS CUSTOM CUT TO PROFILE OF REAR WHEELS	272.00
---------	--------------------------	--	--------

## ARMRESTS

(Desk Arms come with built-in Side Guards.)

### Tubular Armrests

Z2ARM1-9	<input type="checkbox"/>	SWING AWAY TUBULAR 6.5"-9.5"	<input type="checkbox"/> 9.5"- 12.5"	188.00
		<i>(Not Available with Heavy Duty Frame or Height Adjustable Push Handles.)</i>		
Z2ARM4-9	<input type="checkbox"/>	SWING AWAY FLIP BACK TUBULAR 8.3"-11.5"		272.00
		<i>(Not Available with Heavy Duty Frame.)</i>		

### Single Post Desk Arms

Z2ARM2-9-S	<input type="checkbox"/>	REMOV. ADJ. DESK ARM RIGID GUARD 9"-12"/S	<input type="checkbox"/> 12"-15"	294.00
		<input type="checkbox"/> armrest pad length STD (10")	<input type="checkbox"/> Full length (12")	
		<i>(Requires 14" minimum Seat Depth B. Not available with Ergonomic Seat.)</i>		
Z2ARM3-9-S	<input type="checkbox"/>	REMOV. ADJ. DESK ARM RIGID GUARD+TRANSF. 9"-12"/S	<input type="checkbox"/> 12"-15"	321.00
		<input type="checkbox"/> armrest pad length STD (10")	<input type="checkbox"/> Full length (12")	
		<i>(Requires 15" minimum Seat Depth B. Not Available with Ergonomic Seat.)</i>		

### Available Armrest Options

Z2ARM5	<input type="checkbox"/>	ARMRESTS COVERED IN BLACK ULTRASUEDE	97.00
		<i>(Not available with Desk Arms)</i>	

**SEAT BELTS**

Z2BLT1	<input type="checkbox"/>	VELCRO ADJUSTABLE, BLACKNYLON WEBBING	39.00
Z2BLT2	<input type="checkbox"/>	BODYPOINT AUTO-STYLE RELEASE BUCKLE	89.00
Z2BLT4	<input type="checkbox"/>	BODYPOINT 1" PUSH-BUTTONBUCKLE PADDED -AUTO STYLE <i>(Not available with 19" or 20" Rear Seat Widths A.)</i>	162.00
Z2BLT5	<input type="checkbox"/>	BODYPOINT 1.5" PUSH BUTTON BUCKLE PADDED AUTOSTYLE <i>(Not available with 19" or 20" Rear Seat Widths A.)</i>	152.00
Z2BLT8	<input type="checkbox"/>	Q'STRAIT WC-19 WHEELCHAIR-ANCHORED PELVIC BELT <i>(Recommended for use with Transit Tie Down. Not Available with ZR.)</i>	171.00
Z2BLT10	<input type="checkbox"/>	BODYPOINT OPTIONAL BAND CLAMP MOUNTING HARDWARE	18.00
Z2BLT16	<input type="checkbox"/>	BODYPOINT 1" WIDE EVOFLEX, PUSH-BUTTON BUCKLE	167.00

**CALFSTRAPS**

Z2CLF2-S	<input type="checkbox"/>	CALFSTRAP VELCRO ADJUSTABLE S <i>(Recommended for 9" - 12" Footrest Widths.)</i>	31.00
Z2CLF2-M	<input type="checkbox"/>	CALFSTRAP VELCRO ADJUSTABLE M <i>(Recommended for 11" - 15" Footrest Widths.)</i>	31.00
Z2CLF2-L	<input type="checkbox"/>	CALFSTRAP VELCRO ADJUSTABLE L <i>(Recommended for 14" - 17" Footrest Widths.)</i>	31.00
Z2CLF2-XL	<input type="checkbox"/>	CALFSTRAP VELCRO ADJUSTABLE XL <i>(Recommended for 16" - 19" Footrest Widths.)</i>	31.00
Z2CLF3-S	<input type="checkbox"/>	BODYPOINT PADDED VELCRO ADJUSTABLE S <i>(Recommended for 8" - 11" Footrest Widths.)</i>	92.00
Z2CLF3-M	<input type="checkbox"/>	BODYPOINT PADDED VELCRO ADJUSTABLE M <i>(Recommended for 11" - 15" Footrest Widths.)</i>	92.00
Z2CLF3-L	<input type="checkbox"/>	BODYPOINT PADDED VELCRO ADJUSTABLE L <i>(Recommended for 16" - 19" Footrest Widths.)</i>	92.00
Z2CLF1	<input type="checkbox"/>	BUCKLE ADJUSTABLE, BLACKNYLON WEBBING	21.00

**RESIDUAL LIMB SUPPORT**

Z2RSL1-L	<input type="checkbox"/>	RESIDUAL LIMB SUPPORT, LEFT	309.00
Z2RSL1-R	<input type="checkbox"/>	RESIDUAL LIMB SUPPORT, RIGHT	309.00
Z2RSL2	<input type="checkbox"/>	RESIDUAL LIMB SUPPORT, PAIR	622.00

**BACKPACK**

Z2BCK3	<input type="checkbox"/>	BACK PACK, BLACK NYLON	83.00
--------	--------------------------	------------------------	-------

**SEAT POUCH**

Z2PCH3	<input type="checkbox"/>	SEAT POUCH BLACK NYLON	47.00
Z2PCH5	<input type="checkbox"/>	BODYPOINT MOBILITY BAG	99.00

**SPOKE GUARDS**

Z2GRD1	<input type="checkbox"/>	CLEAR LEXAN WITH TIMOTION LOGO <i>(Not available with Mag Rear Wheels.)</i>	114.00
--------	--------------------------	--	--------

**ANTI-TIP**

Z2TIP1	<input type="checkbox"/>	ANTI TIP REAR ALUMINUM- BLACK	141.00
Z2TIP2	<input type="checkbox"/>	ANTI TIP REAR FLIP-UP USER FRIENDLY	294.00

**ACCESSORIES**

Z2UEST1-12	<input type="checkbox"/>	UPPER EXTREMITY SUPPORT TRAY 12-14"	<input type="checkbox"/> 13-15"	250.00
		<i>(Requires Armrests.)</i>		
Z2LUG1	<input type="checkbox"/>	LUGGAGE CARRIERS		128.00
Z2MPCT2-BL	<input type="checkbox"/>	IMPACT GUARDS NEOPRENE BLACK		92.00
Z2CH1	<input type="checkbox"/>	CRUTCH HOLDER		128.00

