

This form must be opened in Adobe Acrobat. The Submit Form button will not work from most browser windows.



Phone (800) 981-1540 | Fax (715) 254-0996
sales@kimobility.com | www.kimobility.com



Company:

Account Number: Date:

Quote: PO Number:

ATP:

Marked For:

Associated Quote/Order#:

Ship To:

Address:

City: State:

Zip: Phone:

Email/Fax:

SubmitButton

Effective: 6/17/2024

Rogue XP £2796

Rogue Width Growable Frame Price includes one time free growth kit 200 lb

Maximum Seat Width of 18"

Frame

Seat Width	
<i>See reference A on page 8.</i>	
<input type="checkbox"/> 10" [RXSWT010]	N/C
<input type="checkbox"/> 11" [RXSWT011]	N/C
<input type="checkbox"/> 12" [RXSWT012]	N/C
<input type="checkbox"/> 13" [RXSWT013]	N/C
<input type="checkbox"/> 14" [RXSWT014]	N/C
<input type="checkbox"/> 15" [RXSWT015]	N/C
<input type="checkbox"/> 16" [RXSWT016]	N/C
<input type="checkbox"/> 17" [RXSWT017]	N/C
<input type="checkbox"/> 18" [RXSWT018]	N/C

Seat Depth	
<i>See reference B on page 8.</i>	
<input type="checkbox"/> 10" [RXSDE010]	N/C
<input type="checkbox"/> 11" [RXSDE011]	N/C
<input type="checkbox"/> 12" [RXSDE012]	N/C
<input type="checkbox"/> 13" [RXSDE013]	N/C
<input type="checkbox"/> 14" [RXSDE014]	N/C
<input type="checkbox"/> 15" [RXSDE015]	N/C
<input type="checkbox"/> 16" [RXSDE016]	N/C
<input type="checkbox"/> 17" [RXSDE017]	N/C
<input type="checkbox"/> 18" [RXSDE018]	N/C
<input type="checkbox"/> 19" [RXSDE019]	N/C
<input type="checkbox"/> 20" [RXSDE020]	£303

Transit Option	
<input type="checkbox"/> Transit System [RXTRNOPT]	N/C
<i>Cannot be retrofitted.</i>	
<input type="checkbox"/> Omit [RXTRNOP2]	N/C

Seat Option	
<input type="checkbox"/> Standard Seat Sling [RXSS001]	N/C
<input type="checkbox"/> Solid Seat Pan [RXACC004]	£260
<input type="checkbox"/> Omit Seat [RXCUS003]	N/C

Sling Position	
<i>In Performance Position (0"), sling is at front of frame. The 1" or 2" sling position extends the frame in front of the sling by that amount. See reference C on page 8.</i>	
<input type="checkbox"/> 0" (Performance) [RXSP01]	N/C
<input type="checkbox"/> 1" [RXSP03]	N/C
<input type="checkbox"/> 2" (Classic) [RXSP02]	N/C

Adjustable Depth	
<i>Adds the capability to grow seat in depth. Seat depth plus Adjustable Depth cannot exceed 20.5".</i>	
<input type="checkbox"/> No Rear Adjustment [RXAD05]	N/C
<input type="checkbox"/> 1/2" [RXAD06]	N/C
<input type="checkbox"/> 1" [RXAD01]	N/C
<input type="checkbox"/> 2" [RXAD02]	N/C
<input type="checkbox"/> 3" [RXAD03]	N/C

Front Frame Bend	
<i>Angle between front seat tube and ground. See reference D on page 8.</i>	
<input type="checkbox"/> 90° [RXFA01]	£145
<input type="checkbox"/> 85° [RXFA03]	£145
<input type="checkbox"/> 80° [RXFA02]	N/C
<input type="checkbox"/> 75° [RXFA04]	£145
<input type="checkbox"/> 70° [RXFA05]	£145

Backrest

Backrest							
Back Post	Price	Height Range	Back Height				
Height Adjustable (Standard or 1" Inward Offset)	N/C	<input type="checkbox"/> Extra Short ^{1,2}	<input type="checkbox"/> 9"	<input type="checkbox"/> 10"	<input type="checkbox"/> 11"	<input type="checkbox"/> 12"	
		<input type="checkbox"/> Short ²	<input type="checkbox"/> 11"	<input type="checkbox"/> 12"	<input type="checkbox"/> 13"	<input type="checkbox"/> 14" ¹	
		<input type="checkbox"/> Medium ²	<input type="checkbox"/> 13"	<input type="checkbox"/> 14"	<input type="checkbox"/> 15"	<input type="checkbox"/> 16"	
		<input type="checkbox"/> Tall ²	<input type="checkbox"/> 15"	<input type="checkbox"/> 16"	<input type="checkbox"/> 17"	<input type="checkbox"/> 18"	
Height Adjustable (Integrated Handle)	N/C	<input type="checkbox"/> Short ^{4,5}	<input type="checkbox"/> 13"	<input type="checkbox"/> 14"	<input type="checkbox"/> 15"	<input type="checkbox"/> 16"	<input type="checkbox"/> 17"
		<input type="checkbox"/> Tall ^{4,5}	<input type="checkbox"/> 15"	<input type="checkbox"/> 16"	<input type="checkbox"/> 17"	<input type="checkbox"/> 18"	<input type="checkbox"/> 19"
			<input type="checkbox"/> 20"	<input type="checkbox"/> 21"	<input type="checkbox"/> 22"		
Fixed Height (Straight or 1" Inward Offset)	N/C	<input type="checkbox"/> Fixed ³	<input type="checkbox"/> 9" ¹	<input type="checkbox"/> 10" ¹	<input type="checkbox"/> 11" ¹	<input type="checkbox"/> 12"	<input type="checkbox"/> 13"
			<input type="checkbox"/> 14"	<input type="checkbox"/> 15"	<input type="checkbox"/> 16"	<input type="checkbox"/> 17"	<input type="checkbox"/> 18"
Fixed Height 2" Offset	N/C	<input type="checkbox"/> Fixed Offset 2" ³	<input type="checkbox"/> 11" ¹	<input type="checkbox"/> 12" ¹	<input type="checkbox"/> 13" ¹	<input type="checkbox"/> 14" ¹	
			<input type="checkbox"/> 15"	<input type="checkbox"/> 16"	<input type="checkbox"/> 17"		

¹ Not available with Fold Down Push Handle

² Each Offset Back Post is offset 1/2" creating 1" overall offset. Only Available with Standard or 1" Inward Offset.

³ Uses 1" tubes compatible with after-market backs. Not available with back upholstery. ²

Inward or Outward Offset Back Posts are offset 1" creating 2" overall offset. 1" Offset Back Post is offset 1/2" creating 1" overall offset

⁴ Push Handles not available in combination with the Integrated Stroller Handle

⁵ 18" max Back Height in combination with Back Upholstery

Back Post Option

- Standard - No Offset [RXOBO004] N/C
- 1" Inward Offset [RXOBO003] N/C
- 2" Inward Offset [RXOBO001] N/C
- Not available with Height Adjustable Back Post*
- 2" Outward Offset [RXOBO002] N/C
- Not available with Height Adjustable Back Post or Swing Away Armrest*

Push Handle

- Omit Push Handle [RXBCK008] N/C
- Standard Push Handle [RXBCK004] N/C
- Fold Down Push Handle [RXBCK006] £164
- Low Profile Push Handle [RXBCK007] £67

Rigidizer Bar Mounted Push Handle

- Ergo Stroller Handle [RXBCK009] £212
- Single Stroller Handle [RXBOP007] £164
- Double Stroller Handle [RXBOP006] £212

Seat Back Angle

Standard is 90° (perpendicular to floor). Minus (-°) closes back angle. Plus (+°) opens back angle.

- Standard [RXSBA001] -2° [RXSBA014] +2° [RXSBA009]
- 4° [RXSBA015] +4° [RXSBA010] -6° [RXSBA016]
- +6° [RXSBA011] -8° [RXSBA017] +8° [RXSBA012]
- 10° [RXSBA018] +10° [RXSBA013] N/C

Back Upholstery Options

Available only with Height Adjustable Back Posts. If selecting both upholstery and Axiom Back, the upholstery will be installed.

- Padded Velcro Adjustable with Standard Cover [RXBUP001] N/C
- Padded Velcro Adjustable with Air Mesh Breathable Cover [RXBUP006] N/C
- Not available on chair widths less than 12".*
- Tension Adjustable with Standard Cover [RXBUP002] N/C
- Tension Adjustable with Air Mesh Cover [RXBUP007] £182
- Not available on chair widths less than 12".*
- Omit [RXBUP003] N/C



Phone (800) 981-1540 | Fax (715) 254-0996
 sales@kimobility.com | www.kimobility.com



Front Seat Height and Casters

Caster Size / Footrest Taper / Front Seat Height

Select **Front Seat Height** and **Footrest Taper** in row corresponding to **Caster Size**. 6" casters not available with 85° and 90° Front Frame Bend.
Footrest Taper indicates bend of front frame creating footrest width. Taper is measured from outside of seat frame to outside of front tube. Taper is not available with 70° Front Frame Bend. See reference E on page 8.
Front Seat Height is measured from floor to top of seat tube at front of seat sling. Adjustable up or down by 1/2". See reference F on page 8.

Footrest Taper	Caster Size	Front Seat Height																		
		3"	4"	5"	6"	7"	8"	9"	10"	11"	12"	13"	14"	15"	16"	17"	18"	19"	20"	20.5"
<input type="checkbox"/> No Taper (Straight) [RXFT00]	3"	<input type="checkbox"/> 13.5"	<input type="checkbox"/> 14"	<input type="checkbox"/> 14.5"	<input type="checkbox"/> 15"	<input type="checkbox"/> 15.5"	<input type="checkbox"/> 16"	<input type="checkbox"/> 16.5"	<input type="checkbox"/> 17"	<input type="checkbox"/> 17.5"	<input type="checkbox"/> 18"	<input type="checkbox"/> 18.5"	<input type="checkbox"/> 19"	<input type="checkbox"/> 19.5"	<input type="checkbox"/> 20"	<input type="checkbox"/> 20.5"				
	4"	<input type="checkbox"/> 14"	<input type="checkbox"/> 14.5"	<input type="checkbox"/> 15"	<input type="checkbox"/> 15.5"	<input type="checkbox"/> 16"	<input type="checkbox"/> 16.5"	<input type="checkbox"/> 17"	<input type="checkbox"/> 17.5"	<input type="checkbox"/> 18"	<input type="checkbox"/> 18.5"	<input type="checkbox"/> 19"	<input type="checkbox"/> 19.5"	<input type="checkbox"/> 20"	<input type="checkbox"/> 20.5"					
	5"	<input type="checkbox"/> 14.5"	<input type="checkbox"/> 15"	<input type="checkbox"/> 15.5"	<input type="checkbox"/> 16"	<input type="checkbox"/> 16.5"	<input type="checkbox"/> 17"	<input type="checkbox"/> 17.5"	<input type="checkbox"/> 18"	<input type="checkbox"/> 18.5"	<input type="checkbox"/> 19"	<input type="checkbox"/> 19.5"	<input type="checkbox"/> 20"	<input type="checkbox"/> 20.5"						
	6"	<input type="checkbox"/> 15"	<input type="checkbox"/> 15.5"	<input type="checkbox"/> 16"	<input type="checkbox"/> 16.5"	<input type="checkbox"/> 17"	<input type="checkbox"/> 17.5"	<input type="checkbox"/> 18"	<input type="checkbox"/> 18.5"	<input type="checkbox"/> 19"	<input type="checkbox"/> 19.5"	<input type="checkbox"/> 20"	<input type="checkbox"/> 20.5"							
<input type="checkbox"/> 1" Taper [RXFT01]	3"	<input type="checkbox"/> 16.5"	<input type="checkbox"/> 17"	<input type="checkbox"/> 17.5"	<input type="checkbox"/> 18"	<input type="checkbox"/> 18.5"	<input type="checkbox"/> 19"	<input type="checkbox"/> 19.5"	<input type="checkbox"/> 20"	<input type="checkbox"/> 20.5"										
	4"	<input type="checkbox"/> 17"	<input type="checkbox"/> 17.5"	<input type="checkbox"/> 18"	<input type="checkbox"/> 18.5"	<input type="checkbox"/> 19"	<input type="checkbox"/> 19.5"	<input type="checkbox"/> 20"	<input type="checkbox"/> 20.5"											
	5"	<input type="checkbox"/> 17.5"	<input type="checkbox"/> 18"	<input type="checkbox"/> 18.5"	<input type="checkbox"/> 19"	<input type="checkbox"/> 19.5"	<input type="checkbox"/> 20"	<input type="checkbox"/> 20.5"												
	6"	<input type="checkbox"/> 18"	<input type="checkbox"/> 18.5"	<input type="checkbox"/> 19"	<input type="checkbox"/> 19.5"	<input type="checkbox"/> 20"	<input type="checkbox"/> 20.5"													

Castors

Caster Type	Description	Price	Caster Size			
			3"	4"	5"	6"
<input type="checkbox"/>	.75" Rollerblade	N/C	<input type="checkbox"/> [RXCAS002]	<input type="checkbox"/> [RXCAS004]		
	.75" Lighted Rollerblade	£81	<input type="checkbox"/> [RXCAS001]	<input type="checkbox"/> [RXCAS005]		
	1" Poly	N/C		<input type="checkbox"/> [RXCAS006]	<input type="checkbox"/> [RXCAS010]	<input type="checkbox"/> [RXCAS014]
	1" Poly Aluminum	£96		<input type="checkbox"/> [RXCAS007]	<input type="checkbox"/> [RXCAS011]	
	1" Pneumatic	N/C				<input type="checkbox"/> [RXCAS017]
	1.5" Poly	N/C		<input type="checkbox"/> [RXCAS032]	<input type="checkbox"/> [RXCAS025]	<input type="checkbox"/> [RXCAS026]
<input type="checkbox"/>	1.5" Soft Roll Aluminum	£96	<input type="checkbox"/> [RXCAS003]	<input type="checkbox"/> [RXCAS009]	<input type="checkbox"/> [RXCAS013]	<input type="checkbox"/> [RXCAS016]

Fork Options

- Standard Fork [RXFRK001] N/C
- Single Sided Fork [RXFRK003] £206
- Frog Legs II Suspension System [RXCST014] £424
Lightweight shock absorbing fork. Not included in Colored Anodizing Package.

Footrest

Footplates

- Tubular "Open" Footplate [RXFPL004] N/C
Not available with footrest widths less than 9.5". See Reference G on page 8.
- Tubular Footplate with ABS Cover [RXFPL005] £91
Not available with footrest widths less than 9.5". See Reference G on page 8.
- Aluminum Angle Adjustable [RXFPL006] £182
- Aluminum Angle Adjustable with Riser [RXFPL007] £182
- High Mount Aluminum Angle Adjustable [RXFPL008] £182
- Angle Adjustable Flip Under [RXFPL012] £224
Not available with footrest widths less than 9.5". See Reference G on page 8.
- High Mount Angle Adjustable Flip Under [RXFPL011] £272
Not available w/footrest widths greater than 15.5". See Reference G on 8.

Footrest Protector

- Footrest Protector [RXACC020] N/C
Not available with Angle Adjustable Flip Under, High Mount Angle Adjustable Flip Under or High Mount Aluminum Angle Adjustable Footplates

Seat to Footrest Length

Measured from front edge of seat sling to top, rear of footrest.
 Footrest length at least 2.5" shorter than Front Seat Height recommended. See reference H on page 8.

<input type="checkbox"/> 8"	<input type="checkbox"/> 8.5"	<input type="checkbox"/> 9"	<input type="checkbox"/> 9.5"	<input type="checkbox"/> 10"	<input type="checkbox"/> 10.5"
<input type="checkbox"/> 11"	<input type="checkbox"/> 11.5"	<input type="checkbox"/> 12"	<input type="checkbox"/> 12.5"	<input type="checkbox"/> 13"	<input type="checkbox"/> 13.5"
<input type="checkbox"/> 14"	<input type="checkbox"/> 14.5"	<input type="checkbox"/> 15"	<input type="checkbox"/> 15.5"	<input type="checkbox"/> 16"	<input type="checkbox"/> 16.5"
<input type="checkbox"/> 17"	<input type="checkbox"/> 17.5"	<input type="checkbox"/> 18"	<input type="checkbox"/> 18.5"	<input type="checkbox"/> 19"	<input type="checkbox"/> 19.5"

Rear Seat Height and Wheels

Rear Seat Height

Select Rear Seat Height in row corresponding to desired Wheel Size. For proper setup, selection is required when omitting rear wheels. Measured from floor to top of seat tube at front of back post. Rear Seat Height is custom to needs. See reference I on page 8.

Wheel	Rear Seat Height															
18"	<input type="checkbox"/> 11.5" ¹	<input type="checkbox"/> 12"	<input type="checkbox"/> 12.5"	<input type="checkbox"/> 13"	<input type="checkbox"/> 13.5"	<input type="checkbox"/> 14"	<input type="checkbox"/> 14.5"	<input type="checkbox"/> 15"	<input type="checkbox"/> 15.5"	<input type="checkbox"/> 16"	<input type="checkbox"/> 16.5"	<input type="checkbox"/> 17"	<input type="checkbox"/> 17.5"	<input type="checkbox"/> 18"	<input type="checkbox"/> 18.5"	<input type="checkbox"/> 19"
20"	<input type="checkbox"/> 12.5" ¹	<input type="checkbox"/> 13"	<input type="checkbox"/> 13.5"	<input type="checkbox"/> 14"	<input type="checkbox"/> 14.5"	<input type="checkbox"/> 15"	<input type="checkbox"/> 15.5"	<input type="checkbox"/> 16"	<input type="checkbox"/> 16.5"	<input type="checkbox"/> 17"	<input type="checkbox"/> 17.5"	<input type="checkbox"/> 18"	<input type="checkbox"/> 18.5"	<input type="checkbox"/> 19"	<input type="checkbox"/> 19.5"	<input type="checkbox"/> 20"
22"	<input type="checkbox"/> 13.5" ¹	<input type="checkbox"/> 14"	<input type="checkbox"/> 14.5"	<input type="checkbox"/> 15"	<input type="checkbox"/> 15.5"	<input type="checkbox"/> 16"	<input type="checkbox"/> 16.5"	<input type="checkbox"/> 17"	<input type="checkbox"/> 17.5"	<input type="checkbox"/> 18"	<input type="checkbox"/> 18.5"	<input type="checkbox"/> 19"	<input type="checkbox"/> 19.5"	<input type="checkbox"/> 20"		
24"	<input type="checkbox"/> 14.5" ¹	<input type="checkbox"/> 15"	<input type="checkbox"/> 15.5"	<input type="checkbox"/> 16"	<input type="checkbox"/> 16.5"	<input type="checkbox"/> 17"	<input type="checkbox"/> 17.5"	<input type="checkbox"/> 18"	<input type="checkbox"/> 18.5"	<input type="checkbox"/> 19"	<input type="checkbox"/> 19.5"	<input type="checkbox"/> 20"				
25"	<input type="checkbox"/> 15" ¹	<input type="checkbox"/> 15.5"	<input type="checkbox"/> 16"	<input type="checkbox"/> 16.5"	<input type="checkbox"/> 17"	<input type="checkbox"/> 17.5"	<input type="checkbox"/> 18"	<input type="checkbox"/> 18.5"	<input type="checkbox"/> 19"	<input type="checkbox"/> 19.5"	<input type="checkbox"/> 20"					

¹ Available only with Low Profile tires

One Arm Drive

One Arm Drive - Quick Release [RXDRV007] £846
 Not available with 10" seat width. Only available with 20", 22" and 24" spoke wheels and Quick Release Axles. Spoke wheel style is exclusive to OAD. Standard handrim will be Aluminum Anodized. Limitations exist based on rear wheel spacing, camber and armrest selections.

Left Side Drive [RXDRV002] N/C
 Right Side Drive [RXDRV003] N/C
 Aluminum Drive Handrim [RXDRV004] N/C
 Poly Coated Drive Handrim [RXDRV005] £212

Wheels

No selection needed with One Arm Drive.

		Rear Wheel Size					
		Price	18"	20"	22"	24"	25"
Rear Wheel Type	Maxx Spoke	N/C	<input type="checkbox"/> [RXWH1118]	<input type="checkbox"/> [RXWH1120]	<input type="checkbox"/> [RXWH1122]	<input type="checkbox"/> [RXWH1124]	<input type="checkbox"/> [RXWH1125]
	Mag	£121		<input type="checkbox"/> [RXWH1220]	<input type="checkbox"/> [RXWH2122]	<input type="checkbox"/> [RXWH1224]	
	Colored Mag ²	£182		<input type="checkbox"/> [RXWH1120]	<input type="checkbox"/> [RXWH1322]	<input type="checkbox"/> [RXWH1324]	
	Superlight Spoke	£121				<input type="checkbox"/> [RXWHE224]	<input type="checkbox"/> [RXWHE225] ¹
	Spinerge Spox	£768		<input type="checkbox"/> [RXWHE420]	<input type="checkbox"/> [RXWHE422]	<input type="checkbox"/> [RXWHE424]	<input type="checkbox"/> [RXWHE425]
	Spinerge LX	£996			<input type="checkbox"/> [RXWHE522]	<input type="checkbox"/> [RXWHE524]	<input type="checkbox"/> [RXWHE525]

¹ Available only with Superlight and Plastic Coated Handrims

² Mag color selection is on page 7

Spinerge Options

Select spoke color for Spinerge wheels.

Black Spokes [RXSSC001] N/C
 Red Spokes [RXSSC002] White Spokes [RXSSC003]
 Blue Spokes [RXSSC005] £91

Rear Tire Type

Full Profile

Street Pneumatic 1 3/8" [RXTIR001] £182
 Not available on 25" wheel size.
 Full Poly 1 3/8" [RXTIR002] N/C
 Not available on Superlight wheel or 25" wheel size.
 Pneumatic with Airless Insert 1 3/8" [RXTIR004] £110
 Not available on Superlight wheel or 25" wheel size.
 Schwalbe HS-127 1 3/8" [RXTIR017] £110
 Available only on 24" wheel size. Not available on Mag wheel.
 Mountain 2" Black [RXTIR009] £151
 Available only on 22", 24" and 25" MAXX Spoke and Spinerge wheels

Low Profile

Low Poly 1" [RXTIR003] £110
 Not available on Superlight wheel or 25" wheel size.
 Sentinel Solid Tire 1" [RXTIR005] £110
 Not available on Superlight wheel
 High Pressure 1" [RXTIR006] N/C
 Not available on Mag wheel or 18" wheel size.
 Schwalbe One 1" [RXTIR018] £110
 Available only on 24" and 25" wheel sizes. Not available on Mag wheel.
 Schwalbe Marathon Plus Evolution 1" [RXTIR010] £110
 Available only on 24" and 25" wheel sizes. Not available on Mag wheel.



Phone (800) 981-1540 | Fax (715) 254-0996
 sales@kimobility.com | www.kimobility.com



Handrims

Standard Handrims

- Aluminum Anodized [RXHRM001] N/C
- Superlight Aluminum Anodized [RXHRM010] N/C
Available only on 24" and 25" wheel sizes. Available only on MAXX Spoke, Superlight or Spinergy wheels. Not available with One Arm Drive.
- Plastic Coated [RXHRM002] £121
- Projection (8 Vertical Projections) [RXHRM003] £333
Available only with full profile tires in combination with 22", 24", and 26" MAXX Spoke wheels, or 22" and 24" Mag wheels. Not available with One Arm Drive.
- Omit Handrim [RXHRM012] N/C

Ergonomic Handrims

Not available with 20" or 26" wheels.

- Ergo Lite Regular Grip [RXHRM005] £272
- Ergo Standard Regular Grip [RXHRM008] £272
- Ergo Lite Extra Grip [RXHRM006] £272
- Ergo Standard Extra Grip [RXHRM009] £272
- Ergo Lite Omit Grip [RXHRM004] £272
- Ergo Standard Omit Grip [RXHRM007] £272

Center of Gravity presets

Measured from front of back post to center of rear axle. 0" indicates axle will be directly under back post. 2" minimum Center of Gravity with 5th Wheel and One Arm Drive. See reference J on page 8.

Amputee Positions					
<input type="checkbox"/> -1.5"	<input type="checkbox"/> -1.25"	<input type="checkbox"/> -1"	<input type="checkbox"/> -.75"	<input type="checkbox"/> -.5"	<input type="checkbox"/> -.25"
<input type="checkbox"/> 0"	<input type="checkbox"/> .25"				
Standard Positions					
<input type="checkbox"/> .5"	<input type="checkbox"/> .75"	<input type="checkbox"/> 1"	<input type="checkbox"/> 1.25"	<input type="checkbox"/> 1.5"	<input type="checkbox"/> 1.75"
<input type="checkbox"/> 2"	<input type="checkbox"/> 2.25"	<input type="checkbox"/> 2.5"	<input type="checkbox"/> 2.75"	<input type="checkbox"/> 3"	<input type="checkbox"/> 3.25"
<input type="checkbox"/> 3.5"	<input type="checkbox"/> 3.75"	<input type="checkbox"/> 4"	<input type="checkbox"/> 4.25"		

Wheel Locks

Wheel Locks

- Push to Lock [RXWLK002] N/C
- Push to Lock Flush Mount [RXWLK001] N/C
- Omit [RXWLK008] N/C
- Pull to Lock [RXWLK003] N/C
- Under Seat Scissor Lock [RXWLK007] £37
- Low Profile Scissor Lock [RXWLK012] £121
Not available with Full Poly tires
- Drum Brake [RXWLK015] £532
Available only with 20", 22" and 24" MAXX Spoke wheels. Not available with Low Profile or Fold Down Push Handles, or Ergo and Single Stroller Handles without integrated push handles. Axle is Quick Release.

Handrim Option

Handrim Mount

If no selection is made, Standard Mount will be used

- Close Mount [RXTAB001] N/C
Reduces overall width by .75"

Micro-Grip

- 3M Micro Grip [RXACC006] £91
Not available on Plastic Coated or Projection Handrims.

Axles

No selection needed with Drum Brake.

- Quick Release [RXAXO003] N/C
- Quad Quick Release [RXAXO001] £182
Not available with Mag or Spinergy wheels.

Rear Wheel Camber

The following apply if One Arm Drive is selected: 6° and 8° not available. 4° not available with T-Arms. 0° required with the combination of a 5th Wheel and Seat Widths less than 16".

- 0° [RXWC00] 2° [RXWC02] 4° [RXWC04] 6° [RXWC06] 8° [RXWC08] N/C

Rear Wheel Spacing

1" minimum with 0° camber. 1.5" minimum with T-Arms. The following apply if One Arm Drive is selected: 1.75" minimum with T-Arms. 1.25 minimum with select Rear Seat Heights. No selection needed with Wheelchair Drive Ready. See Reference K on page 8.

- 0.75" [RXWS075] 1" [RXWS100] 1.25" [RXWS125] 1.5" [RXWS150] 1.75" [RXWS175] N/C

Wheel Lock Options

- Extension Handles [RXWLK004] £49
Available only with Push to Lock or Pull to Lock Wheel Locks.
- Grade Aids [RXWLK009] £145
Available only with Push to Lock Wheel Locks and Pneumatic or Pneumatic with Airless Insert tires



Phone (800) 981-1540 | Fax (715) 254-0996
 sales@kimobility.com | www.kimobility.com



Armrests

Armrest Type	Length	Price
Height Adjustable T-Arm Tall (11.5"-15")	Desk <input type="checkbox"/> [RXARM039]	£212
	Full <input type="checkbox"/> [RXARM040]	
Height Adjustable T-Arm (8.5"-13.5") ¹	Desk <input type="checkbox"/> [RXARM003]	£212
	Full <input type="checkbox"/> [RXARM004]	
Height Adjustable T-Arm Low (6.5"-10.5") ²	Desk <input type="checkbox"/> [RXARM022]	£212
	Full <input type="checkbox"/> [RXARM023]	
Angle Adjustable Locking Extendable Flip Up ³	Desk <input type="checkbox"/> [RXARM010]	£266
	Full <input type="checkbox"/> [RXARM011]	

- ¹ Not available with Seat Depths less than 13". 1.5" minimum Rear Wheel Spacing
² Not available with Seat Depths less than 12". 1.5" minimum Rear Wheel Spacing. If requested configuration is unavailable, Standard Height T-Arm will be used.
³ Requires Fixed Height Backrest. Not available with backrest heights less than 12"
⁴ Not available with Arm Pads or Outward Offset Back Posts. If selection is not available with rear wheel and rear seat height configuration, then Tall Swing Away armrest will be used.
⁵ Not available with Arm Pads or Outward Offset Back Posts.
⁶ Includes Composite Side Guard with Direct Mount Receiver. Not available with Arm Pads or Outward Offset Back Posts. If selection is not available with rear wheel and rear seat height configuration, then Tall Swing Away with Side Guard armrest will be used.
⁷ Includes Composite Side Guard with Direct Mount Receiver. Not available with Arm Pads or Outward Offset Back Posts.

Armrest Type		Price
Short Swing Away (7" - 9") ⁴	<input type="checkbox"/> [RXARM001]	£255
Tall Swing Away (9.25" - 11.25") ⁵	<input type="checkbox"/> [RXARM021]	£255
Short Swing Away with Side Guards (7"-9") ⁶	<input type="checkbox"/> [RXARM027]	£255
Tall Swing Away with Side Guards (9.25" - 11.25") ⁷	<input type="checkbox"/> [RXARM028]	£255
Omit Armrests	<input type="checkbox"/> [RXARM007]	N/C

Arm Pads

Not available with Swing Away Armrests.

- Standard Arm Pad [RXARM026]
 Foam Grip [RXARM025]
 Available only with Angle Adjustable Locking Extendable Flip Up Armrest. _____ N/C
 Waterfall Arm Pad [RXARM020]
 Not available with Angle Adjustable Locking Extendable Flip Up Armrest. _____ £30

Side Guards

Direct Mount Side Guards

Not available with T-Arms or Swing Away with Side Guard Armrests.

- Composite Side Guards - Direct Mount Receiver [RXSDG002] _____ N/C
 12" minimum Seat Depth.
 Aluminum Straight - Direct Mount Receiver - Black Matte [RXSDG024] _____ £212
 12" minimum Seat Depth.
 Aluminum Straight - Direct Mount Receiver - Match Frame Color [RXSDG025] _____ £272
 12" minimum Seat Depth. Not available with Hydrographics
 Aluminum Adjustable Fender w/Foam Pad - Direct Mount Receiver [RXSDG014] _____ £296
 Not available with Adjustable Depth greater than 1/2".
 Aluminum Adjustable Fender w/Foam Pad - Direct Mount Receiver [RXSDG015] _____ £357
 Not available with Adjustable Depth greater than 1/2". Not available with Hydrographics.
 Carbon Fiber Adjustable Fender - Direct Mount Receiver [RXSDG013] £393
 Not available with Adjustable Depth greater than 1/2".

Clamp-On Mount Side Guards

Not available with T-Arms or Swing Away with Side Guard Armrests.

- Composite Side Guards - Clamp-On Receiver [RXSDG004] _____ £199
 12" minimum Seat Depth.
 Composite Side Guards - Pediatric - Clamp-On Receiver [RXSDG007] _____ £199
 Aluminum Straight - Clamp On Receiver - Black Matte [RXSDG020] _____ £212
 12" minimum Seat Depth.
 Aluminum Straight - Clamp-On Receiver - Match Frame Color [RXSDG023] _____ £272
 12" minimum Seat Depth. Not available with Hydrographics.
 Aluminum Adjustable Fender w/Foam Pad - Clamp-On Receiver - Black [RXSDG017] _____ £296
 Aluminum Adjustable Fender w/Foam Pad - Clamp-On Receiver - [RXSDG018] _____ £357
 Not available with Hydrographics.
 Carbon Fiber Adjustable Fender - Clamp-On Receiver [RXSDG016] _____ £393



Phone (800) 981-1540 | Fax (715) 254-0996
 sales@kimobility.com | www.kimobility.com



Accessories

5th Wheel

Rotating removable rear caster. Not available with 25" rear wheel.

- Standard 5th Wheel [RXATP002] £206
- Dynamic 5th Wheel [RXATP004] £206
- Soft Elastomer [RXELA001] Firm Elastomer [RXELA002] N/C

Both elastomers are included; the selected elastomer will be installed.

Anti - Tips

- Rear Anti-Tips (E0971) [RXATP001] £89
- User Activated - Pair [RXATP012] £320
- User Activated - Left [RXATP010] £164
- User Activated - Right [RXATP011] £164
- Omit [RXATP000] N/C

Pelvic Positioning Belts

- 1" Auto Buckle Pelvic Positioning Belt [RXPOB004] £55
- 1" Padded Auto Buckle Pelvic Positioning Belt [RXPOB005] £151
- 1 1/2" Auto Buckle Pelvic Positioning Belt [RXPOB001] £55
- 1 1/2" Padded Auto Buckle Pelvic Positioning Belt [RXPOB002] £151
- Small Flex-Mount Positioning Belt (16-24") [RXPOB007] £188
- Medium Flex-Mount Positioning Belt (19-29") [RXPOB008] £188
- Large Flex-Mount Positioning Belt (25-37") [RXPOB009] £188

Belt Mounting Kit

- Ki Mobility Belt Mounting Clamp [RXACC023] £37
- Bodypoint Belt Mounting Bracket Kit [RXACC013] £103

Calf Strap

- Velcro Adjustable [RXACC002] £37
- Padded Velcro Adjustable [RXACC003] £67
- Padded Airmesh Calf Strap [RXACC010] £103

Other Accessories

- Tool Kit [RXACC005] £20
- Removable Underseat Pouch [RXACC015] £30
- Pediatric Ki Mobility Backpack [RXACC026] £100
- Ki Mobility Backpack [RXACC009] £100
- Luggage Carrier [RXACC025] £73
- Black Neoprene Impact Guards [RXIMG001] £86
- Under Chair Carrier and Removable Bag [RXACC001] £30
Not available with Seat Widths less than 14" or scissor locks.
- Cane and Crutch Holder [RXACC007] £91

Color

Frame Color

Frame/Accent: Select desired frame and accent colors. If no accent color from Package 1 is selected, frame color will be used.

Options	Price	Colors																						
		Gloss														Matte							Metallic	
		Black	Yellow	Light Pink	Dark Pink	Glacier Blue	Electric Green	Radiant Orange	Opalescent Violet	Purple Plum	Rich Teal	Metallic Orange	Granny Smith	Candy Red	Candy Blue	Candy Purple	Tactical Green	Dry Earth Tan	White	Shadow Black	Bright Red	Royal Blue	Charcoal Gray	Iridescent Navy
Frame	N/C	<input type="checkbox"/>	<input type="checkbox"/>	<input type="checkbox"/>	<input type="checkbox"/>	<input type="checkbox"/>	<input type="checkbox"/>	<input type="checkbox"/>	<input type="checkbox"/>	<input type="checkbox"/>	<input type="checkbox"/>	<input type="checkbox"/>	<input type="checkbox"/>	<input type="checkbox"/>	<input type="checkbox"/>	<input type="checkbox"/>	<input type="checkbox"/>	<input type="checkbox"/>	<input type="checkbox"/>	<input type="checkbox"/>	<input type="checkbox"/>	<input type="checkbox"/>	<input type="checkbox"/>	<input type="checkbox"/>
Color Accent Package 1 ¹	N/C	<input type="checkbox"/>	<input type="checkbox"/>	<input type="checkbox"/>	<input type="checkbox"/>	<input type="checkbox"/>	<input type="checkbox"/>	<input type="checkbox"/>	<input type="checkbox"/>	<input type="checkbox"/>	<input type="checkbox"/>	<input type="checkbox"/>	<input type="checkbox"/>	<input type="checkbox"/>	<input type="checkbox"/>	<input type="checkbox"/>	<input type="checkbox"/>	<input type="checkbox"/>	<input type="checkbox"/>	<input type="checkbox"/>	<input type="checkbox"/>	<input type="checkbox"/>	<input type="checkbox"/>	<input type="checkbox"/>
Color Accent Package 2 ^{2,3}	N/C	<input type="checkbox"/>	<input type="checkbox"/>	<input type="checkbox"/>	<input type="checkbox"/>	<input type="checkbox"/>	<input type="checkbox"/>	<input type="checkbox"/>	<input type="checkbox"/>	<input type="checkbox"/>	<input type="checkbox"/>	<input type="checkbox"/>	<input type="checkbox"/>	<input type="checkbox"/>	<input type="checkbox"/>	<input type="checkbox"/>	<input type="checkbox"/>	<input type="checkbox"/>	<input type="checkbox"/>	<input type="checkbox"/>	<input type="checkbox"/>	<input type="checkbox"/>	<input type="checkbox"/>	<input type="checkbox"/>
Maxx Mag Color		<input type="checkbox"/>	<input type="checkbox"/>	<input type="checkbox"/>	<input type="checkbox"/>	<input type="checkbox"/>	<input type="checkbox"/>	<input type="checkbox"/>	<input type="checkbox"/>	<input type="checkbox"/>	<input type="checkbox"/>	<input type="checkbox"/>	<input type="checkbox"/>	<input type="checkbox"/>	<input type="checkbox"/>	<input type="checkbox"/>	<input type="checkbox"/>	<input type="checkbox"/>	<input type="checkbox"/>	<input type="checkbox"/>	<input type="checkbox"/>	<input type="checkbox"/>	<input type="checkbox"/>	<input type="checkbox"/>
Color Anodizing Package ⁴	Black	<input type="checkbox"/>	<input type="checkbox"/>	<input type="checkbox"/>	<input type="checkbox"/>	<input type="checkbox"/>	<input type="checkbox"/>	<input type="checkbox"/>	<input type="checkbox"/>	<input type="checkbox"/>	<input type="checkbox"/>	<input type="checkbox"/>	<input type="checkbox"/>	<input type="checkbox"/>	<input type="checkbox"/>	<input type="checkbox"/>	<input type="checkbox"/>	<input type="checkbox"/>	<input type="checkbox"/>	<input type="checkbox"/>	<input type="checkbox"/>	<input type="checkbox"/>	<input type="checkbox"/>	<input type="checkbox"/>
	Blue	<input type="checkbox"/>	<input type="checkbox"/>	<input type="checkbox"/>	<input type="checkbox"/>	<input type="checkbox"/>	<input type="checkbox"/>	<input type="checkbox"/>	<input type="checkbox"/>	<input type="checkbox"/>	<input type="checkbox"/>	<input type="checkbox"/>	<input type="checkbox"/>	<input type="checkbox"/>	<input type="checkbox"/>	<input type="checkbox"/>	<input type="checkbox"/>	<input type="checkbox"/>	<input type="checkbox"/>	<input type="checkbox"/>	<input type="checkbox"/>	<input type="checkbox"/>	<input type="checkbox"/>	<input type="checkbox"/>
	BrightGreen	<input type="checkbox"/>	<input type="checkbox"/>	<input type="checkbox"/>	<input type="checkbox"/>	<input type="checkbox"/>	<input type="checkbox"/>	<input type="checkbox"/>	<input type="checkbox"/>	<input type="checkbox"/>	<input type="checkbox"/>	<input type="checkbox"/>	<input type="checkbox"/>	<input type="checkbox"/>	<input type="checkbox"/>	<input type="checkbox"/>	<input type="checkbox"/>	<input type="checkbox"/>	<input type="checkbox"/>	<input type="checkbox"/>	<input type="checkbox"/>	<input type="checkbox"/>	<input type="checkbox"/>	<input type="checkbox"/>
	Orange	<input type="checkbox"/>	<input type="checkbox"/>	<input type="checkbox"/>	<input type="checkbox"/>	<input type="checkbox"/>	<input type="checkbox"/>	<input type="checkbox"/>	<input type="checkbox"/>	<input type="checkbox"/>	<input type="checkbox"/>	<input type="checkbox"/>	<input type="checkbox"/>	<input type="checkbox"/>	<input type="checkbox"/>	<input type="checkbox"/>	<input type="checkbox"/>	<input type="checkbox"/>	<input type="checkbox"/>	<input type="checkbox"/>	<input type="checkbox"/>	<input type="checkbox"/>	<input type="checkbox"/>	<input type="checkbox"/>
	Pewter	<input type="checkbox"/>	<input type="checkbox"/>	<input type="checkbox"/>	<input type="checkbox"/>	<input type="checkbox"/>	<input type="checkbox"/>	<input type="checkbox"/>	<input type="checkbox"/>	<input type="checkbox"/>	<input type="checkbox"/>	<input type="checkbox"/>	<input type="checkbox"/>	<input type="checkbox"/>	<input type="checkbox"/>	<input type="checkbox"/>	<input type="checkbox"/>	<input type="checkbox"/>	<input type="checkbox"/>	<input type="checkbox"/>	<input type="checkbox"/>	<input type="checkbox"/>	<input type="checkbox"/>	<input type="checkbox"/>
	Pink	<input type="checkbox"/>	<input type="checkbox"/>	<input type="checkbox"/>	<input type="checkbox"/>	<input type="checkbox"/>	<input type="checkbox"/>	<input type="checkbox"/>	<input type="checkbox"/>	<input type="checkbox"/>	<input type="checkbox"/>	<input type="checkbox"/>	<input type="checkbox"/>	<input type="checkbox"/>	<input type="checkbox"/>	<input type="checkbox"/>	<input type="checkbox"/>	<input type="checkbox"/>	<input type="checkbox"/>	<input type="checkbox"/>	<input type="checkbox"/>	<input type="checkbox"/>	<input type="checkbox"/>	<input type="checkbox"/>
	Purple	<input type="checkbox"/>	<input type="checkbox"/>	<input type="checkbox"/>	<input type="checkbox"/>	<input type="checkbox"/>	<input type="checkbox"/>	<input type="checkbox"/>	<input type="checkbox"/>	<input type="checkbox"/>	<input type="checkbox"/>	<input type="checkbox"/>	<input type="checkbox"/>	<input type="checkbox"/>	<input type="checkbox"/>	<input type="checkbox"/>	<input type="checkbox"/>	<input type="checkbox"/>	<input type="checkbox"/>	<input type="checkbox"/>	<input type="checkbox"/>	<input type="checkbox"/>	<input type="checkbox"/>	<input type="checkbox"/>
	Red	<input type="checkbox"/>	<input type="checkbox"/>	<input type="checkbox"/>	<input type="checkbox"/>	<input type="checkbox"/>	<input type="checkbox"/>	<input type="checkbox"/>	<input type="checkbox"/>	<input type="checkbox"/>	<input type="checkbox"/>	<input type="checkbox"/>	<input type="checkbox"/>	<input type="checkbox"/>	<input type="checkbox"/>	<input type="checkbox"/>	<input type="checkbox"/>	<input type="checkbox"/>	<input type="checkbox"/>	<input type="checkbox"/>	<input type="checkbox"/>	<input type="checkbox"/>	<input type="checkbox"/>	<input type="checkbox"/>
	Gold	<input type="checkbox"/>	<input type="checkbox"/>	<input type="checkbox"/>	<input type="checkbox"/>	<input type="checkbox"/>	<input type="checkbox"/>	<input type="checkbox"/>	<input type="checkbox"/>	<input type="checkbox"/>	<input type="checkbox"/>	<input type="checkbox"/>	<input type="checkbox"/>	<input type="checkbox"/>	<input type="checkbox"/>	<input type="checkbox"/>	<input type="checkbox"/>	<input type="checkbox"/>	<input type="checkbox"/>	<input type="checkbox"/>	<input type="checkbox"/>	<input type="checkbox"/>	<input type="checkbox"/>	<input type="checkbox"/>
	N/C	<input type="checkbox"/>	<input type="checkbox"/>	<input type="checkbox"/>	<input type="checkbox"/>	<input type="checkbox"/>	<input type="checkbox"/>	<input type="checkbox"/>	<input type="checkbox"/>	<input type="checkbox"/>	<input type="checkbox"/>	<input type="checkbox"/>	<input type="checkbox"/>	<input type="checkbox"/>	<input type="checkbox"/>	<input type="checkbox"/>	<input type="checkbox"/>	<input type="checkbox"/>	<input type="checkbox"/>	<input type="checkbox"/>	<input type="checkbox"/>	<input type="checkbox"/>	<input type="checkbox"/>	<input type="checkbox"/>
	£164	<input type="checkbox"/>	<input type="checkbox"/>	<input type="checkbox"/>	<input type="checkbox"/>	<input type="checkbox"/>	<input type="checkbox"/>	<input type="checkbox"/>	<input type="checkbox"/>	<input type="checkbox"/>	<input type="checkbox"/>	<input type="checkbox"/>	<input type="checkbox"/>	<input type="checkbox"/>	<input type="checkbox"/>	<input type="checkbox"/>	<input type="checkbox"/>	<input type="checkbox"/>	<input type="checkbox"/>	<input type="checkbox"/>	<input type="checkbox"/>	<input type="checkbox"/>	<input type="checkbox"/>	<input type="checkbox"/>
	£164	<input type="checkbox"/>	<input type="checkbox"/>	<input type="checkbox"/>	<input type="checkbox"/>	<input type="checkbox"/>	<input type="checkbox"/>	<input type="checkbox"/>	<input type="checkbox"/>	<input type="checkbox"/>	<input type="checkbox"/>	<input type="checkbox"/>	<input type="checkbox"/>	<input type="checkbox"/>	<input type="checkbox"/>	<input type="checkbox"/>	<input type="checkbox"/>	<input type="checkbox"/>	<input type="checkbox"/>	<input type="checkbox"/>	<input type="checkbox"/>	<input type="checkbox"/>	<input type="checkbox"/>	<input type="checkbox"/>
	£164	<input type="checkbox"/>	<input type="checkbox"/>	<input type="checkbox"/>	<input type="checkbox"/>	<input type="checkbox"/>	<input type="checkbox"/>	<input type="checkbox"/>	<input type="checkbox"/>	<input type="checkbox"/>	<input type="checkbox"/>	<input type="checkbox"/>	<input type="checkbox"/>	<input type="checkbox"/>	<input type="checkbox"/>	<input type="checkbox"/>	<input type="checkbox"/>	<input type="checkbox"/>	<input type="checkbox"/>	<input type="checkbox"/>	<input type="checkbox"/>	<input type="checkbox"/>	<input type="checkbox"/>	<input type="checkbox"/>
	£164	<input type="checkbox"/>	<input type="checkbox"/>	<input type="checkbox"/>	<input type="checkbox"/>	<input type="checkbox"/>	<input type="checkbox"/>	<input type="checkbox"/>	<input type="checkbox"/>	<input type="checkbox"/>	<input type="checkbox"/>	<input type="checkbox"/>	<input type="checkbox"/>	<input type="checkbox"/>	<input type="checkbox"/>	<input type="checkbox"/>	<input type="checkbox"/>	<input type="checkbox"/>	<input type="checkbox"/>	<input type="checkbox"/>	<input type="checkbox"/>	<input type="checkbox"/>	<input type="checkbox"/>	<input type="checkbox"/>
	£164	<input type="checkbox"/>	<input type="checkbox"/>	<input type="checkbox"/>	<input type="checkbox"/>	<input type="checkbox"/>	<input type="checkbox"/>	<input type="checkbox"/>	<input type="checkbox"/>	<input type="checkbox"/>	<input type="checkbox"/>	<input type="checkbox"/>	<input type="checkbox"/>	<input type="checkbox"/>	<input type="checkbox"/>	<input type="checkbox"/>	<input type="checkbox"/>	<input type="checkbox"/>	<input type="checkbox"/>	<input type="checkbox"/>	<input type="checkbox"/>	<input type="checkbox"/>	<input type="checkbox"/>	<input type="checkbox"/>

¹ Includes backrest rigidizer bar.

² Includes backplates, towers, tower clamps, and camber tube.

³ Limited Time Promotional Pricing

⁴ Included in Colored Anodizing Package: Backrest plates, camber tube (not available with Wheelchair Drive Ready selection), towers,

CG clamps (not available with negative Center of Gravity or Wheelchair Drive Ready selections), side guard receivers, RP tuning housing, front caster forks (standard or Single Sided) and Dynamic 5th Wheel split clamp

References

A. Seat Width *See Diagram 1*

Measured from outside of frame tube on one side to outside of frame tube on other side.

B. Seat Depth *See Diagram 3*

Measured from front of back posts to front edge of seat sling. Seat sling starts at beginning of bend at front of frame.

C. Sling Position *See Diagram 2*

In Performance Position (0°), sling is at front of frame to keep chair shorter and more maneuverable. The 1" or 2" seat sling position extends the frame in front of the sling by that amount. Adding more frame can improve stability and provide support to aid in transfers.

D. Front Frame Bend *See Diagram 3*

Angle between front seat tube and ground.

E. Footrest Taper *See Diagram 1*

Indicates bend of front frame creating footrest. Taper is measured from outside of seat frame to outside of front tube.

F. Front Seat Height *See Diagram 1*

Measured from floor to top of seat tube at front of seat sling.

G. Footrest Width *See Diagram 1*

Measured from inside of front tube to inside of front tube on other side. Footrest width is listed below for each seat width and taper.

Seat Width	Straight	1" Taper
Outside Measurement	2" Narrower than Seat Width	4" Narrower than Seat Width
10"	7.5"	
11"	8.5"	
12"	9.5"	7.5"
13"	10.5"	8.5"
14"	11.5"	9.5"
15"	12.5"	10.5"
16"	13.5"	11.5"
17"	14.5"	12.5"
18"	15.5"	13.5"

H. Seat to Footrest Length *See Diagram 3*

Measured from front edge of seat sling to top rear of footrest. Footrest length of at least 2.5" shorter than front seat height recommended.

I. Rear Seat Height *See Diagram 3*

Measured from floor to top of seat tube at front of back post. Rear seat height is custom to needs.

J. Center of Gravity Preset *See Diagram 3*

Measured from front of back post to center of rear axle. 0° indicates axle will be directly under back post.

K. Rear Wheel Spacing *See Diagram 1*

Measured from outside of seat back to inside of rear tire. Adjustable out .5" from setting.

Diagram 1

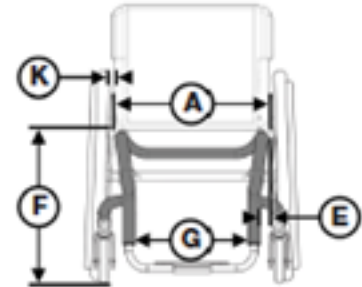


Diagram 2

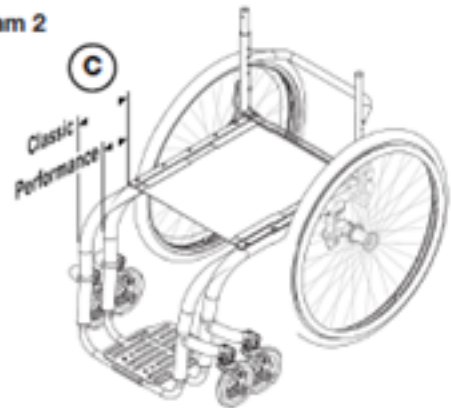
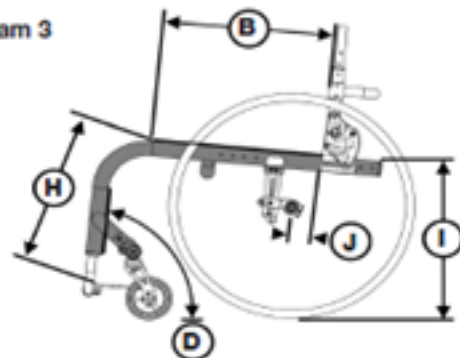


Diagram 3



This form must be opened in Adobe Acrobat. The Submit Form button will not work from most browser windows.



Phone (800) 981-1540 | Fax (715) 254-0996
 sales@kimobility.com | www.kimobility.com



Axiom for Kids P - Positioning Cushion

Weight Capacity 165 lbs / 75 kg. Cushion includes 2 outer covers of the selected color. Cover Color Code Black=BLK, Blue=BLU, Purple=PUR.

Width	8"	9"	10"	11"	12"	13"	14"	15"	16"	
Retail	£300									
Depth	8"	<input type="checkbox"/> PXP0808BLK	<input type="checkbox"/> PXP0908BLK	<input type="checkbox"/> PXP1008BLK						
		<input type="checkbox"/> PXP0808BLU	<input type="checkbox"/> PXP0908BLU	<input type="checkbox"/> PXP1008BLU						
		<input type="checkbox"/> PXP0808PUR	<input type="checkbox"/> PXP0908PUR	<input type="checkbox"/> PXP1008PUR						
	9"	<input type="checkbox"/> PXP0809BLK	<input type="checkbox"/> PXP0909BLK	<input type="checkbox"/> PXP1009BLK	<input type="checkbox"/> PXP1109BLK					
		<input type="checkbox"/> PXP0809BLU	<input type="checkbox"/> PXP0909BLU	<input type="checkbox"/> PXP1009BLU	<input type="checkbox"/> PXP1109BLU					
		<input type="checkbox"/> PXP0809PUR	<input type="checkbox"/> PXP0909PUR	<input type="checkbox"/> PXP1009PUR	<input type="checkbox"/> PXP1109PUR					
	10"	<input type="checkbox"/> PXP0810BLK	<input type="checkbox"/> PXP0910BLK	<input type="checkbox"/> PXP1010BLK	<input type="checkbox"/> PXP1110BLK	<input type="checkbox"/> PXP1210BLK	<input type="checkbox"/> PXP1310BLK			
		<input type="checkbox"/> PXP0810BLU	<input type="checkbox"/> PXP0910BLU	<input type="checkbox"/> PXP1010BLU	<input type="checkbox"/> PXP1110BLU	<input type="checkbox"/> PXP1210BLU	<input type="checkbox"/> PXP1310BLU			
		<input type="checkbox"/> PXP0810PUR	<input type="checkbox"/> PXP0910PUR	<input type="checkbox"/> PXP1010PUR	<input type="checkbox"/> PXP1110PUR	<input type="checkbox"/> PXP1210PUR	<input type="checkbox"/> PXP1310PUR			
	11"			<input type="checkbox"/> PXP1011BLK	<input type="checkbox"/> PXP1111BLK	<input type="checkbox"/> PXP1211BLK	<input type="checkbox"/> PXP1311BLK	<input type="checkbox"/> PXP1411BLK		
				<input type="checkbox"/> PXP1011BLU	<input type="checkbox"/> PXP1111BLU	<input type="checkbox"/> PXP1211BLU	<input type="checkbox"/> PXP1311BLU	<input type="checkbox"/> PXP1411BLU		
				<input type="checkbox"/> PXP1011PUR	<input type="checkbox"/> PXP1111PUR	<input type="checkbox"/> PXP1211PUR	<input type="checkbox"/> PXP1311PUR	<input type="checkbox"/> PXP1411PUR		
	12"			<input type="checkbox"/> PXP1012BLK	<input type="checkbox"/> PXP1112BLK	<input type="checkbox"/> PXP1212BLK	<input type="checkbox"/> PXP1312BLK	<input type="checkbox"/> PXP1412BLK		
				<input type="checkbox"/> PXP1012BLU	<input type="checkbox"/> PXP1112BLU	<input type="checkbox"/> PXP1212BLU	<input type="checkbox"/> PXP1312BLU	<input type="checkbox"/> PXP1412BLU		
				<input type="checkbox"/> PXP1012PUR	<input type="checkbox"/> PXP1112PUR	<input type="checkbox"/> PXP1212PUR	<input type="checkbox"/> PXP1312PUR	<input type="checkbox"/> PXP1412PUR		
	13"			<input type="checkbox"/> PXP1013BLK	<input type="checkbox"/> PXP1113BLK	<input type="checkbox"/> PXP1213BLK	<input type="checkbox"/> PXP1313BLK	<input type="checkbox"/> PXP1413BLK	<input type="checkbox"/> PXP1513BLK	
				<input type="checkbox"/> PXP1013BLU	<input type="checkbox"/> PXP1113BLU	<input type="checkbox"/> PXP1213BLU	<input type="checkbox"/> PXP1313BLU	<input type="checkbox"/> PXP1413BLU	<input type="checkbox"/> PXP1513BLU	
				<input type="checkbox"/> PXP1013PUR	<input type="checkbox"/> PXP1113PUR	<input type="checkbox"/> PXP1213PUR	<input type="checkbox"/> PXP1313PUR	<input type="checkbox"/> PXP1413PUR	<input type="checkbox"/> PXP1513PUR	
	14"			<input type="checkbox"/> PXP1014BLK	<input type="checkbox"/> PXP1114BLK	<input type="checkbox"/> PXP1214BLK	<input type="checkbox"/> PXP1314BLK	<input type="checkbox"/> PXP1414BLK	<input type="checkbox"/> PXP1514BLK	<input type="checkbox"/> PXP1614BLK
				<input type="checkbox"/> PXP1014BLU	<input type="checkbox"/> PXP1114BLU	<input type="checkbox"/> PXP1214BLU	<input type="checkbox"/> PXP1314BLU	<input type="checkbox"/> PXP1414BLU	<input type="checkbox"/> PXP1514BLU	<input type="checkbox"/> PXP1614BLU
				<input type="checkbox"/> PXP1014PUR	<input type="checkbox"/> PXP1114PUR	<input type="checkbox"/> PXP1214PUR	<input type="checkbox"/> PXP1314PUR	<input type="checkbox"/> PXP1414PUR	<input type="checkbox"/> PXP1514PUR	<input type="checkbox"/> PXP1614PUR
	15"					<input type="checkbox"/> PXP1215BLK	<input type="checkbox"/> PXP1315BLK	<input type="checkbox"/> PXP1415BLK	<input type="checkbox"/> PXP1515BLK	<input type="checkbox"/> PXP1615BLK
						<input type="checkbox"/> PXP1215BLU	<input type="checkbox"/> PXP1315BLU	<input type="checkbox"/> PXP1415BLU	<input type="checkbox"/> PXP1515BLU	<input type="checkbox"/> PXP1615BLU
						<input type="checkbox"/> PXP1215PUR	<input type="checkbox"/> PXP1315PUR	<input type="checkbox"/> PXP1415PUR	<input type="checkbox"/> PXP1515PUR	<input type="checkbox"/> PXP1615PUR
16"					<input type="checkbox"/> PXP1216BLK	<input type="checkbox"/> PXP1316BLK	<input type="checkbox"/> PXP1416BLK	<input type="checkbox"/> PXP1516BLK	<input type="checkbox"/> PXP1616BLK	
					<input type="checkbox"/> PXP1216BLU	<input type="checkbox"/> PXP1316BLU	<input type="checkbox"/> PXP1416BLU	<input type="checkbox"/> PXP1516BLU	<input type="checkbox"/> PXP1616BLU	
					<input type="checkbox"/> PXP1216PUR	<input type="checkbox"/> PXP1316PUR	<input type="checkbox"/> PXP1416PUR	<input type="checkbox"/> PXP1516PUR	<input type="checkbox"/> PXP1616PUR	
17"						<input type="checkbox"/> PXP1317BLK	<input type="checkbox"/> PXP1417BLK	<input type="checkbox"/> PXP1517BLK	<input type="checkbox"/> PXP1617BLK	
						<input type="checkbox"/> PXP1317BLU	<input type="checkbox"/> PXP1417BLU	<input type="checkbox"/> PXP1517BLU	<input type="checkbox"/> PXP1617BLU	
						<input type="checkbox"/> PXP1317PUR	<input type="checkbox"/> PXP1417PUR	<input type="checkbox"/> PXP1517PUR	<input type="checkbox"/> PXP1617PUR	
18"						<input type="checkbox"/> PXP1318BLK	<input type="checkbox"/> PXP1418BLK	<input type="checkbox"/> PXP1518BLK	<input type="checkbox"/> PXP1618BLK	
						<input type="checkbox"/> PXP1318BLU	<input type="checkbox"/> PXP1418BLU	<input type="checkbox"/> PXP1518BLU	<input type="checkbox"/> PXP1618BLU	
						<input type="checkbox"/> PXP1318PUR	<input type="checkbox"/> PXP1418PUR	<input type="checkbox"/> PXP1518PUR	<input type="checkbox"/> PXP1618PUR	

This form must be opened in Adobe Acrobat. The Submit Form button will not work from most browser windows.



Phone (800) 981-1540 | Fax (715) 254-0996
 sales@kimobility.com | www.kimobility.com



Axiom for Kids SP - Skin Protection and Positioning Cushion

Weight Capacity 165 lbs. / 75 kg. Cushion includes 2 outer covers of the selected color. Cover Color Code Black=BLK, Blue=BLU, Purple=PUR.

Width	8"	9"	10"	11"	12"	13"	14"	15"	16"	
Retail	£425									
Depth	8"	<input type="checkbox"/> PXSP0808BLK	<input type="checkbox"/> PXSP0908BLK	<input type="checkbox"/> PXSP1008BLK						
		<input type="checkbox"/> PXSP0808BLU	<input type="checkbox"/> PXSP0908BLU	<input type="checkbox"/> PXSP1008BLU						
		<input type="checkbox"/> PXSP0808PUR	<input type="checkbox"/> PXSP0908PUR	<input type="checkbox"/> PXSP1008PUR						
	9"	<input type="checkbox"/> PXSP0809BLK	<input type="checkbox"/> PXSP0909BLK	<input type="checkbox"/> PXSP1009BLK	<input type="checkbox"/> PXSP1109BLK					
		<input type="checkbox"/> PXSP0809BLU	<input type="checkbox"/> PXSP0909BLU	<input type="checkbox"/> PXSP1009BLU	<input type="checkbox"/> PXSP1109BLU					
		<input type="checkbox"/> PXSP0809PUR	<input type="checkbox"/> PXSP0909PUR	<input type="checkbox"/> PXSP1009PUR	<input type="checkbox"/> PXSP1109PUR					
	10"	<input type="checkbox"/> PXSP0810BLK	<input type="checkbox"/> PXSP0910BLK	<input type="checkbox"/> PXSP1010BLK	<input type="checkbox"/> PXSP1110BLK	<input type="checkbox"/> PXSP1210BLK	<input type="checkbox"/> PXSP1310BLK			
		<input type="checkbox"/> PXSP0810BLU	<input type="checkbox"/> PXSP0910BLU	<input type="checkbox"/> PXSP1010BLU	<input type="checkbox"/> PXSP1110BLU	<input type="checkbox"/> PXSP1210BLU	<input type="checkbox"/> PXSP1310BLU			
		<input type="checkbox"/> PXSP0810PUR	<input type="checkbox"/> PXSP0910PUR	<input type="checkbox"/> PXSP1010PUR	<input type="checkbox"/> PXSP1110PUR	<input type="checkbox"/> PXSP1210PUR	<input type="checkbox"/> PXSP1310PUR			
	11"			<input type="checkbox"/> PXSP1011BLK	<input type="checkbox"/> PXSP1111BLK	<input type="checkbox"/> PXSP1211BLK	<input type="checkbox"/> PXSP1311BLK	<input type="checkbox"/> PXSP1411BLK		
				<input type="checkbox"/> PXSP1011BLU	<input type="checkbox"/> PXSP1111BLU	<input type="checkbox"/> PXSP1211BLU	<input type="checkbox"/> PXSP1311BLU	<input type="checkbox"/> PXSP1411BLU		
				<input type="checkbox"/> PXSP1011PUR	<input type="checkbox"/> PXSP1111PUR	<input type="checkbox"/> PXSP1211PUR	<input type="checkbox"/> PXSP1311PUR	<input type="checkbox"/> PXSP1411PUR		
	12"			<input type="checkbox"/> PXSP1012BLK	<input type="checkbox"/> PXSP1112BLK	<input type="checkbox"/> PXSP1212BLK	<input type="checkbox"/> PXSP1312BLK	<input type="checkbox"/> PXSP1412BLK		
				<input type="checkbox"/> PXSP1012BLU	<input type="checkbox"/> PXSP1112BLU	<input type="checkbox"/> PXSP1212BLU	<input type="checkbox"/> PXSP1312BLU	<input type="checkbox"/> PXSP1412BLU		
				<input type="checkbox"/> PXSP1012PUR	<input type="checkbox"/> PXSP1112PUR	<input type="checkbox"/> PXSP1212PUR	<input type="checkbox"/> PXSP1312PUR	<input type="checkbox"/> PXSP1412PUR		
	13"			<input type="checkbox"/> PXSP1013BLK	<input type="checkbox"/> PXSP1113BLK	<input type="checkbox"/> PXSP1213BLK	<input type="checkbox"/> PXSP1313BLK	<input type="checkbox"/> PXSP1413BLK	<input type="checkbox"/> PXSP1513BLK	
				<input type="checkbox"/> PXSP1013BLU	<input type="checkbox"/> PXSP1113BLU	<input type="checkbox"/> PXSP1213BLU	<input type="checkbox"/> PXSP1313BLU	<input type="checkbox"/> PXSP1413BLU	<input type="checkbox"/> PXSP1513BLU	
				<input type="checkbox"/> PXSP1013PUR	<input type="checkbox"/> PXSP1113PUR	<input type="checkbox"/> PXSP1213PUR	<input type="checkbox"/> PXSP1313PUR	<input type="checkbox"/> PXSP1413PUR	<input type="checkbox"/> PXSP1513PUR	
	14"			<input type="checkbox"/> PXSP1014BLK	<input type="checkbox"/> PXSP1114BLK	<input type="checkbox"/> PXSP1214BLK	<input type="checkbox"/> PXSP1314BLK	<input type="checkbox"/> PXSP1414BLK	<input type="checkbox"/> PXSP1514BLK	<input type="checkbox"/> PXSP1614BLK
				<input type="checkbox"/> PXSP1014BLU	<input type="checkbox"/> PXSP1114BLU	<input type="checkbox"/> PXSP1214BLU	<input type="checkbox"/> PXSP1314BLU	<input type="checkbox"/> PXSP1414BLU	<input type="checkbox"/> PXSP1514BLU	<input type="checkbox"/> PXSP1614BLU
				<input type="checkbox"/> PXSP1014PUR	<input type="checkbox"/> PXSP1114PUR	<input type="checkbox"/> PXSP1214PUR	<input type="checkbox"/> PXSP1314PUR	<input type="checkbox"/> PXSP1414PUR	<input type="checkbox"/> PXSP1514PUR	<input type="checkbox"/> PXSP1614PUR
	15"					<input type="checkbox"/> PXSP1215BLK	<input type="checkbox"/> PXSP1315BLK	<input type="checkbox"/> PXSP1415BLK	<input type="checkbox"/> PXSP1515BLK	<input type="checkbox"/> PXSP1615BLK
						<input type="checkbox"/> PXSP1215BLU	<input type="checkbox"/> PXSP1315BLU	<input type="checkbox"/> PXSP1415BLU	<input type="checkbox"/> PXSP1515BLU	<input type="checkbox"/> PXSP1615BLU
						<input type="checkbox"/> PXSP1215PUR	<input type="checkbox"/> PXSP1315PUR	<input type="checkbox"/> PXSP1415PUR	<input type="checkbox"/> PXSP1515PUR	<input type="checkbox"/> PXSP1615PUR
	16"					<input type="checkbox"/> PXSP1216BLK	<input type="checkbox"/> PXSP1316BLK	<input type="checkbox"/> PXSP1416BLK	<input type="checkbox"/> PXSP1516BLK	<input type="checkbox"/> PXSP1616BLK
						<input type="checkbox"/> PXSP1216BLU	<input type="checkbox"/> PXSP1316BLU	<input type="checkbox"/> PXSP1416BLU	<input type="checkbox"/> PXSP1516BLU	<input type="checkbox"/> PXSP1616BLU
						<input type="checkbox"/> PXSP1216PUR	<input type="checkbox"/> PXSP1316PUR	<input type="checkbox"/> PXSP1416PUR	<input type="checkbox"/> PXSP1516PUR	<input type="checkbox"/> PXSP1616PUR
	17"						<input type="checkbox"/> PXSP1317BLK	<input type="checkbox"/> PXSP1417BLK	<input type="checkbox"/> PXSP1517BLK	<input type="checkbox"/> PXSP1617BLK
							<input type="checkbox"/> PXSP1317BLU	<input type="checkbox"/> PXSP1417BLU	<input type="checkbox"/> PXSP1517BLU	<input type="checkbox"/> PXSP1617BLU
							<input type="checkbox"/> PXSP1317PUR	<input type="checkbox"/> PXSP1417PUR	<input type="checkbox"/> PXSP1517PUR	<input type="checkbox"/> PXSP1617PUR
	18"						<input type="checkbox"/> PXSP1318BLK	<input type="checkbox"/> PXSP1418BLK	<input type="checkbox"/> PXSP1518BLK	<input type="checkbox"/> PXSP1618BLK
							<input type="checkbox"/> PXSP1318BLU	<input type="checkbox"/> PXSP1418BLU	<input type="checkbox"/> PXSP1518BLU	<input type="checkbox"/> PXSP1618BLU
							<input type="checkbox"/> PXSP1318PUR	<input type="checkbox"/> PXSP1418PUR	<input type="checkbox"/> PXSP1518PUR	<input type="checkbox"/> PXSP1618PUR

Accessories

- Extra Cover**
- Extra Cover Black £85
 - Extra Cover Blue £85
 - Extra Cover Purple £85
- Solid Seat Insert**
- Solid Seat Insert £85

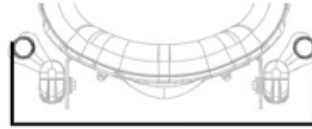
This form must be opened in Adobe Acrobat. The Submit Form button will not work from most browser windows.



Phone (800) 981-1540 | Fax (715) 254-0996
sales@kimobility.com | www.kimobility.com

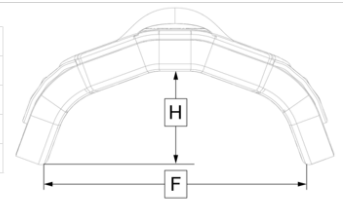


Axiom for Kids Back Width (all models)	Fits back Frame Widths
10" (25.5 cm)	9" - 11" (23 cm - 28 cm)
12" (30.5 cm)	11" - 13" (28 cm - 33 cm)
14" (35.5 cm)	13" - 15" (33 cm - 38 cm)
16" (40.5 cm)	15" - 17" (38 cm - 43 cm)



Axiom for Kids PL - Posterior Lateral Back

Back Width	10" (25.5 cm)	12" (30.5 cm)	14" (35.5 cm)	16" (40.5 cm)
Fits Back Frame Widths:	9"-11" (23 cm - 28 cm)	11"-13" (28 cm - 33 cm)	13"-15" (33 cm - 38 cm)	15"-17" (38 cm - 43 cm)
Actual Back Width (F):	10" (25.5 cm)	12" (30.5 cm)	14" (35.5 cm)	16" (40.5 cm)
Fits Trunk Widths (F):	10" (25.5 cm)	12" (30.5 cm)	14" (35.5 cm)	16" (40.5 cm)
Contour Depth (H):	3" (7.5 cm)	3" (7.5 cm)	3" (7.5 cm)	3" (7.5 cm)



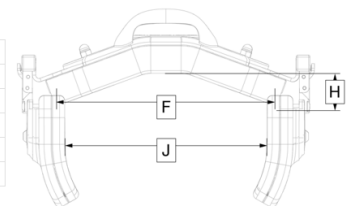
Back

Includes Lumbar Pad. Weight capacity 165 lbs. (75 kg). Includes Axiom DEX for Kids Hardware.

		Width			
		10	12	14	16
	Retail	£550			
Height	10	<input type="checkbox"/> PXPL1010			
	12	<input type="checkbox"/> PXPL1012	<input type="checkbox"/> PXPL1212	<input type="checkbox"/> PXPL1412	
	14	<input type="checkbox"/> PXPL1014	<input type="checkbox"/> PXPL1214	<input type="checkbox"/> PXPL1414	<input type="checkbox"/> PXPL1614
	16		<input type="checkbox"/> PXPL1216	<input type="checkbox"/> PXPL1416	<input type="checkbox"/> PXPL1616
	18				<input type="checkbox"/> PXPL1618

Axiom for Kids AL - Posterior Back for Adjustable Laterals

Back Width	10" (25.5 cm)	12" (30.5 cm)	14" (35.5 cm)	16" (40.5 cm)
Fits Back Frame Widths:	9"-11" (23 cm - 28 cm)	11"-13" (28 cm - 33 cm)	13"-15" (33 cm - 38 cm)	15"-17" (38 cm - 43 cm)
Actual Back Width (F):	8" (20cm)	10" (25.5 cm)	12" (30.5 cm)	14" (35.5 cm)
Component Lateral Width Range (J)*: <i>(*-1" with included spacers)</i>	8" - 11" (20 cm - 28 cm)	10" - 13" (25.5 cm - 33 cm)	12" - 15" (30.5 cm - 38 cm)	14" - 17" (35.5 cm - 43 cm)
Contour Depth (H):	1.25" (3 cm)	1.25" (3 cm)	1.25" (3 cm)	1.25" (3 cm)



This form must be opened in Adobe Acrobat. The Submit Form button will not work from most browser windows.



Phone (800) 981-1540 | Fax (715) 254-0996
sales@kimobility.com | www.kimobility.com



Back

Weight capacity 165 lbs. (75 kg). Includes Axiom DEX for Kids Hardware.

		Width			
		10"	12"	14"	16"
Retail		£550			
Height	10"	<input type="checkbox"/> PXAL1010			
	12"	<input type="checkbox"/> PXAL1012	<input type="checkbox"/> PXAL1212	<input type="checkbox"/> PXAL1412	
	14"	<input type="checkbox"/> PXAL1014	<input type="checkbox"/> PXAL1214	<input type="checkbox"/> PXAL1414	<input type="checkbox"/> PXAL1614
	16"		<input type="checkbox"/> PXAL1216	<input type="checkbox"/> PXAL1416	<input type="checkbox"/> PXAL1616
	18"				<input type="checkbox"/> PXAL1618

Axiom for Kids - Adjustable Laterals Trunk Supports (for PXAL Back)

Not available for Posterior Back for Contoured Adjustable Laterals (PXALCL)

Description	Item Code	Retail
<input type="checkbox"/> 3 x 4 Lateral Trunk Pads, Flat with Fixed Mounting Hardware (Pair)	PLF3x4PP	£250
<input type="checkbox"/> 4 x 5 Lateral Trunk Pads, Flat with Fixed Mounting Hardware (Pair)	PLF4x5PP	£250
<input type="checkbox"/> 3 x 4 Lateral Trunk Pads, Flat with Swing Away Mounting Hardware (Pair)	PLTAS3x4PP	£500
<input type="checkbox"/> 4 x 5 Lateral Trunk Pads, Flat with Swing Away Mounting Hardware (Pair)	PLTAS4x5PP	£500
<input type="checkbox"/> 3 x 4 Lateral Trunk Pads, Curved with Swing Away Mounting Hardware (Pair)	PLTASC3x4PP	£500
<input type="checkbox"/> 4 x 5 Lateral Trunk Pads, Curved with Swing Away Mounting Hardware (Pair)	PLTASC4x5PP	£500

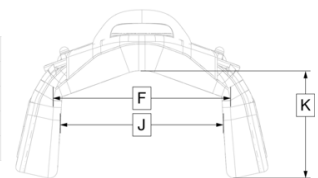
Axiom for Kids - Adjustable Lateral Pelvic Supports (for PXAL Back)

Not available for Posterior Back for Contoured Adjustable Laterals (PXALCL)

Description	Item Code	Retail
<input type="checkbox"/> 3 x 4 Lateral Pelvic Pads with Fixed Mounting Hardware (Pair)	PLPF3x4PP	£250
<input type="checkbox"/> 4 x 5 Lateral Pelvic Pads with Fixed Mounting Hardware (Pair)	PLPF4x5PP	£250
<input type="checkbox"/> 3 x 4 Lateral Pelvic Pads with Swing Away Mounting Hardware (Pair)	PLASP3x4PP	£500
<input type="checkbox"/> 4 x 5 Lateral Pelvic Pads with Swing Away Mounting Hardware (Pair)	PLASP4x5PP	£500

Axiom for Kids ALCL - Posterior Back for Contoured Adjustable Laterals

Back Width	10" (25.5 cm)	12" (30.5 cm)	14" (35.5 cm)	16" (40.5 cm)
Fits Back Frame Widths:	9"-11" (23 cm - 28 cm)	11"-13" (28 cm - 33 cm)	13"-15" (33 cm - 38 cm)	15"-17" (38 cm - 43 cm)
Actual Back Width (F):	8" - 11" (20 cm - 28 cm)	10" - 13" (25.5 cm - 33 cm)	12" - 15" (30.5 cm - 38 cm)	14" - 17" (35.5 cm - 43 cm)
Contoured Lateral Width Range (J):	8" - 11" (20 cm - 28 cm)	10" - 13" (25.5 cm - 33 cm)	12" - 15" (30.5 cm - 38 cm)	14" - 17" (35.5 cm - 43 cm)
Contour Depth (K):	5" - 5.5" (12.5 cm - 14 cm)	5" - 5.5" (12.5 cm - 14 cm)	5" - 5.5" (12.5 cm - 14 cm)	5" - 5.5" (12.5 cm - 14 cm)



Back

Requires Contoured Adjustable Lateral Trunk Support selection below. Weight capacity 165 lbs. (75 kg). Includes Axiom DEX for Kids Hardware.

		Width			
		10"	12"	14"	16"
Retail		£550			
Height	10"	<input type="checkbox"/> PXAL1010CL			
	12"	<input type="checkbox"/> PXAL1012CL	<input type="checkbox"/> PXAL1212CL	<input type="checkbox"/> PXAL1412CL	
	14"	<input type="checkbox"/> PXAL1014CL	<input type="checkbox"/> PXAL1214CL	<input type="checkbox"/> PXAL1414CL	<input type="checkbox"/> PXAL1614CL
	16"		<input type="checkbox"/> PXAL1216CL	<input type="checkbox"/> PXAL1416CL	<input type="checkbox"/> PXAL1616CL
	18"				<input type="checkbox"/> PXAL1618CL

Axiom for Kids - Contoured Adjustable Lateral Trunk Supports (for PXALCL Back)

Description	Item Code	Retail
<input type="checkbox"/> 3" Contoured Lateral Wings with Fixed Mounting Hardware (Pair)	PCL3	£250
<input type="checkbox"/> 4" Contoured Lateral Wings with Fixed Mounting Hardware (Pair)	PCL4	£250

4" Contoured Lateral Wings are not available on 10" or 12" Back Heights

Accessories

Axiom for Kids Back Accessories & Modifications	
<input type="checkbox"/> Lumbar Pad	£40
<input type="checkbox"/> Privacy Flap	£40
<i>Privacy Flap not available for 10" wide backs</i>	
<input type="checkbox"/> Axiom DEX for Kids Hardware Extension	N/C
<i>Hardware extension adds an additional 2" of anterior depth adjustment</i>	
<input type="checkbox"/> Axiom for Kids Adjustable Shoulder Guides	£50

Headrests								
Description	Standard Straight Removable Adjustable Hardware		Multi-Axis Removable Adjustable Hardware		Posalinc Removable Adjustable Hardware		Posalinc Flip-Back Adjustable Hardware	
	Item Code	Retail	Item Code	Retail	Item Code	Retail	Item Code	Retail
Comfort Soft Headrest 8"	<input type="checkbox"/> CS08SS	£268	<input type="checkbox"/> CS08MA	£268	<input type="checkbox"/> CS08PL	£268	<input type="checkbox"/> CS08PLF	£268
Comfort Soft Headrest 10"	<input type="checkbox"/> CS10SS	£268	<input type="checkbox"/> CS10MA	£268	<input type="checkbox"/> CS10PL	£268	<input type="checkbox"/> CS10PLF	£268
Comfort Soft Headrest 14"	<input type="checkbox"/> CS14SS	£268	<input type="checkbox"/> CS14MA	£268	<input type="checkbox"/> CS14PL	£268	<input type="checkbox"/> CS14PLF	£268
Contour Positioning Pad, 8" X 6.25"	<input type="checkbox"/> CP08SS	£303	<input type="checkbox"/> CP08MA	£303	<input type="checkbox"/> CP08PL	£303	<input type="checkbox"/> CP08PLF	£303
Contour Positioning Pad, 9" X 6.5"	<input type="checkbox"/> CP09SS	£303	<input type="checkbox"/> CP09MA	£303	<input type="checkbox"/> CP09PL	£303	<input type="checkbox"/> CP09PLF	£303
Contour Positioning Pad, 10" X 7.5"	<input type="checkbox"/> CP10SS	£303	<input type="checkbox"/> CP10MA	£303	<input type="checkbox"/> CP10PL	£303	<input type="checkbox"/> CP10PLF	£303
Tri-soft Headrest 10"	<input type="checkbox"/> TS10SS	£386	<input type="checkbox"/> TS10MA	£386	<input type="checkbox"/> TS10PL	£386	<input type="checkbox"/> TS10PLF	£386
Tri-soft Headrest 14"	<input type="checkbox"/> TS14SS	£386	<input type="checkbox"/> TS14MA	£386	<input type="checkbox"/> TS14PL	£386	<input type="checkbox"/> TS14PLF	£386

Headrest Hardware		
<i>Not required with Axiom Headrests</i>		
Description	Item Code	Retail
<input type="checkbox"/> Universal Headrest Mounting Plate	UMP	£43

Anterior Trunk Supports		
Description	Item Code	Retail
<input type="checkbox"/> Dynaform Chest Support: 2-Piece with Hook&Loop, 3" High Pad, Small	14941	£100
<input type="checkbox"/> Dynaform Chest Support: 2-Piece with Hook&Loop, 4" High Pad, Medium	14942	£100
<input type="checkbox"/> Dynaform Chest Support: 2-Piece with Hook&Loop, 5" High Pad, Large	14943	£100
<input type="checkbox"/> Dynaform Chest Support: 1-Piece with Buckle, 3" Height x 18" Width, Small	14924	£100
<input type="checkbox"/> Dynaform Chest Support: 1-Piece with Buckle, 4" Height x 20" Width, Medium	14927	£100
<input type="checkbox"/> Dynaform Chest Support: 1-Piece with Buckle, 4" Height x 22" Width, Large	14928	£100
<input type="checkbox"/> Dynaform Anterior Trunk Support: Standard, Dynamic, X-Small	14851	£100
<input type="checkbox"/> Dynaform Anterior Trunk Support: Standard, Dynamic, Small	14852	£100
<input type="checkbox"/> Dynaform Anterior Trunk Support: Standard, Dynamic, Medium	14853	£100
<input type="checkbox"/> Dynaform Anterior Trunk Support: Standard, Dynamic, Large	14854	£100
<input type="checkbox"/> Dynaform Anterior Trunk Support: Slim Cut, Dynamic, X-Small	14856	£100
<input type="checkbox"/> Dynaform Anterior Trunk Support: Slim Cut, Dynamic, Small	14857	£100
<input type="checkbox"/> Dynaform Anterior Trunk Support: Slim Cut, Dynamic, Medium	14858	£100
<input type="checkbox"/> Dynaform Anterior Trunk Support: Slim Cut, Dynamic, Large	14859	£100
<input type="checkbox"/> AirLogic Anterior Trunk Support: Standard, Structure, Small	14282	£300
<input type="checkbox"/> AirLogic Anterior Trunk Support: Standard, Structure, Medium	14283	£300
<input type="checkbox"/> AirLogic Anterior Trunk Support: Standard, Structure, Large	14284	£300
<input type="checkbox"/> AirLogic Anterior Trunk Support: Slim Cut, Dynamic, Small	14257	£300
<input type="checkbox"/> AirLogic Anterior Trunk Support: Slim Cut, Dynamic, Medium	14258	£300

This form must be opened in Adobe Acrobat. The Submit Form button will not work from most browser windows.



Phone (800) 981-1540 | Fax (715) 254-0996
sales@kimobility.com | www.kimobility.com



Gloss Finish

If no selection is made, standard Shadow Black will be used with no additional lead time

- | | |
|---|-----|
| <input type="checkbox"/> Opalescent Violet Back Shell | N/C |
| <input type="checkbox"/> Radiant Orange Back Shell | N/C |
| <input type="checkbox"/> Electric Green Back Shell | N/C |
| <input type="checkbox"/> Glacier Blue Back Shell | N/C |
| <input type="checkbox"/> Dark Pink Back Shell | N/C |
| <input type="checkbox"/> Light Pink Back Shell | N/C |
| <input type="checkbox"/> Rich Teal Back Shell | N/C |
| <input type="checkbox"/> Purple Plum Back Shell | N/C |
| <input type="checkbox"/> Black Back Shell | N/C |
| <input type="checkbox"/> Candy Blue Back Shell | N/C |
| <input type="checkbox"/> Candy Purple Back Shell | N/C |
| <input type="checkbox"/> Candy Red Back Shell | N/C |
| <input type="checkbox"/> Granny Smith Back Shell | N/C |
| <input type="checkbox"/> Metallic Orange Back Shell | N/C |
| <input type="checkbox"/> Yellow Back Shell | N/C |

Matte Finish

If no selection is made, standard Shadow Black will be used with no additional lead time

- | | |
|---|-----|
| <input type="checkbox"/> Bright Red Back Shell | N/C |
| <input type="checkbox"/> White Back Shell | N/C |
| <input type="checkbox"/> Dry Earth Tan Back Shell | N/C |
| <input type="checkbox"/> Tactical Green Back Shell | N/C |
| <input type="checkbox"/> Charcoal Gray Back Shell | N/C |
| <input type="checkbox"/> Iridescent Burgundy Back Shell | N/C |
| <input type="checkbox"/> Iridescent Navy Back Shell | N/C |
| <input type="checkbox"/> Royal Blue Back Shell | N/C |

Metallic Finish

If no selection is made, standard Shadow Black will be used with no additional lead time

- | | |
|--|-----|
| <input type="checkbox"/> Blue Steel Back Shell | N/C |
|--|-----|