

This form must be opened in Adobe Acrobat. The Submit Form button will not work from most browser windows.



Phone (800) 981-1540 | Fax (715) 254-0996  
sales@kimobility.com | www.kimobility.com

# ROGUE<sup>2</sup>

Company:

Account Number:  Date:

Quote:  PO Number:

ATP:

Marked For:

Associated Quote/Order#:

Ship To:

Address:

City:  State:

Zip:  Phone:

Email/Fax:

**SubmitButton**

Effective: 6/17/2024

Rogue2	£2796
Rogue Standard Frame 275 lb Weight Capacity	

## Frame

### Seat Width

See reference A on page 7

- 12" [RGSWT012] N/C
- 13" [RGSWT013] N/C
- 14" [RGSWT014] N/C
- 15" [RGSWT015] N/C
- 16" [RGSWT016] N/C
- 17" [RGSWT017] N/C
- 18" [RGSWT018] N/C
- 19" [RGSWT019] N/C
- 20" [RGSWT020] £350

### Seat Depth

See reference B on page 7

- 14" [RGSDE014] N/C
- 15" [RGSDE015] N/C
- 16" [RGSDE016] N/C
- 17" [RGSDE017] N/C
- 18" [RGSDE018] N/C
- 19" [RGSDE019] N/C
- 20" [RGSDE020] £350

### Transit Option

- Transit System [RGTRNOPT] £200  
Cannot be retrofitted. Requires Expanded Width Caster Position.
- Omit [RGTRNOP2] N/C

### Adjustable Depth

Adds the capability to grow seat in depth

- No Rear Adjustment [RGAD05] N/C
- 1/2" [RGAD06] N/C
- 1" [RGAD01] £115
- 2" [RGAD02] £115

### Sling Position

In Performance Position (0"), sling is at front of frame. The 1" or 2" sling position extends the frame in front of the sling by that amount. See reference C on page 7.

- 0" (Performance) [RGSP01] N/C
- 1" [RGSP03] N/C
- 2" (Classic) [RGSP02] N/C

### Seat Option

- Standard Seat Sling [RGSSS001] N/C
- Aluminum Solid Seat Pan [RGACC004] £288

### Front Frame Bend

Angle between front seat tube and ground. See reference D on page 7.

- 90° [RGFA01] N/C
- 85° [RGFA03] N/C
- 80° [RGFA02] N/C
- 75° [RGFA04] £173
- 70° [RGFA05] £173

## Backrest

### Back Post / Height Range / Back Height

Back Post	Price	Height Range	Back Height				
Height Adjustable	N/C	<input type="checkbox"/> Short [RGBOP025]	<input type="checkbox"/> 11" <sup>2</sup>	<input type="checkbox"/> 12"	<input type="checkbox"/> 13"	<input type="checkbox"/> 14"	
		<input type="checkbox"/> Medium [RGBOP026]	<input type="checkbox"/> 13"	<input type="checkbox"/> 14"	<input type="checkbox"/> 15"	<input type="checkbox"/> 16"	<input type="checkbox"/> 17"
		<input type="checkbox"/> Tall [RGBOP027]	<input type="checkbox"/> 17"	<input type="checkbox"/> 18"	<input type="checkbox"/> 19"	<input type="checkbox"/> 20"	
Fixed Height <sup>1</sup>	N/C	<input type="checkbox"/> Fixed [RGBOP011]	<input type="checkbox"/> 9" <sup>2</sup>	<input type="checkbox"/> 10" <sup>2</sup>	<input type="checkbox"/> 11" <sup>2</sup>	<input type="checkbox"/> 12"	<input type="checkbox"/> 13"
			<input type="checkbox"/> 14"	<input type="checkbox"/> 15"	<input type="checkbox"/> 16"	<input type="checkbox"/> 17"	<input type="checkbox"/> 18"

<sup>1</sup> Not available with back upholstery

<sup>2</sup> Not available with Fold Down Push Handle

### Push Handles

- Omit Push Handle [RGBCK008] N/C
- Standard Push Handle [RGBCK004] N/C
- Low Profile Push Handle [RGBCK007] £173  
*2" shorter than standard push handles*
- Bolt-On Push Handle [RGBOP005] £184  
*Handles will be 1" - 2" above back height*
- Fold Down Push Handle [RGBCK006] £173

### Stroller Handle

Stroller Handles are removable and height adjustable

- Single Stroller Handle [RGBOP007] £184
- Double Stroller Handle [RGBOP006] £230  
Not available with Push Handles



Phone (800) 981-1540 | Fax (715) 254-0996  
 sales@kimobility.com | www.kimobility.com



**Rigidizer Bar**

Adjustable Height Rigidizer Bar [RGBCK001] N/C

Non-Adjustable Height Rigidizer Bar [RGBCK010] N/C

*Not Available with Fixed Height Back Post*

**Back Upholstery Options**

*Available only with Height Adjustable Back Posts. If selecting both upholstery and Axiom Back, the upholstery will be installed.*

Padded Velcro Adjustable with Standard Cover [RGBUP001] N/C

Padded Velcro Adjustable with Air Mesh Breathable Cover [RGBUP006] £92

Tension Adjustable with Standard Cover [RGBUP002] N/C

Tension Adjustable with Air Mesh Breathable Cover [RGBUP007] £196

Omit [RGBUP003] N/C

**Seat Back Angle**

*Standard is 90° (perpendicular to floor). Minus (-°) closes back angle. Plus (+°) opens back angle.*

Standard [RGSBA001]  +3° [RGSBA002]  +6° [RGSBA003]

+9° [RGSBA004]  -3° [RGSBA005]  -6° [RGSBA006]

-9° [RGSBA007]  -12° [RGSBA008] N/C

**Front Seat Height and Casters**

**Caster Size / Footrest Taper / Front Seat Height**

Select Front Seat Height and Footrest Taper in row corresponding to Caster Size. 6" casters not available with 85° and 90° Front Frame Bend. Footrest Taper indicates bend of front frame creating footrest width. Taper is measured from outside of seat frame to outside of front tube. 2" Taper not available with 75° Front Frame Bend. Taper is not available with 70° Front Frame Bend. See reference E on page 7. Front Seat Height is measured from floor to top of seat tube at front of seat sling. Adjustable up or down by 1/2". See reference F on page 7.

Footrest Taper	Price	Caster Size	Front Seat Height														
			3"	13.5"	14"	14.5"	15"	15.5"	16"	16.5"	17"	17.5"	18"	18.5"	19"	19.5"	20"
<input type="checkbox"/> Straight [RGFT00]	N/C	3"	<input type="checkbox"/>	<input type="checkbox"/>	<input type="checkbox"/>	<input type="checkbox"/>	<input type="checkbox"/>	<input type="checkbox"/>	<input type="checkbox"/>	<input type="checkbox"/>	<input type="checkbox"/>	<input type="checkbox"/>	<input type="checkbox"/>	<input type="checkbox"/>	<input type="checkbox"/>	<input type="checkbox"/>	<input type="checkbox"/>
		4"	<input type="checkbox"/>	<input type="checkbox"/>	<input type="checkbox"/>	<input type="checkbox"/>	<input type="checkbox"/>	<input type="checkbox"/>	<input type="checkbox"/>	<input type="checkbox"/>	<input type="checkbox"/>	<input type="checkbox"/>	<input type="checkbox"/>	<input type="checkbox"/>	<input type="checkbox"/>	<input type="checkbox"/>	<input type="checkbox"/>
		5"	<input type="checkbox"/>	<input type="checkbox"/>	<input type="checkbox"/>	<input type="checkbox"/>	<input type="checkbox"/>	<input type="checkbox"/>	<input type="checkbox"/>	<input type="checkbox"/>	<input type="checkbox"/>	<input type="checkbox"/>	<input type="checkbox"/>	<input type="checkbox"/>	<input type="checkbox"/>	<input type="checkbox"/>	<input type="checkbox"/>
		6"	<input type="checkbox"/>	<input type="checkbox"/>	<input type="checkbox"/>	<input type="checkbox"/>	<input type="checkbox"/>	<input type="checkbox"/>	<input type="checkbox"/>	<input type="checkbox"/>	<input type="checkbox"/>	<input type="checkbox"/>	<input type="checkbox"/>	<input type="checkbox"/>	<input type="checkbox"/>	<input type="checkbox"/>	<input type="checkbox"/>
<input type="checkbox"/> 1" Taper [RGFT01]	£60	3"	<input type="checkbox"/>	<input type="checkbox"/>	<input type="checkbox"/>	<input type="checkbox"/>	<input type="checkbox"/>	<input type="checkbox"/>	<input type="checkbox"/>	<input type="checkbox"/>	<input type="checkbox"/>	<input type="checkbox"/>	<input type="checkbox"/>	<input type="checkbox"/>	<input type="checkbox"/>	<input type="checkbox"/>	
		4"	<input type="checkbox"/>	<input type="checkbox"/>	<input type="checkbox"/>	<input type="checkbox"/>	<input type="checkbox"/>	<input type="checkbox"/>	<input type="checkbox"/>	<input type="checkbox"/>	<input type="checkbox"/>	<input type="checkbox"/>	<input type="checkbox"/>	<input type="checkbox"/>	<input type="checkbox"/>	<input type="checkbox"/>	
		5"	<input type="checkbox"/>	<input type="checkbox"/>	<input type="checkbox"/>	<input type="checkbox"/>	<input type="checkbox"/>	<input type="checkbox"/>	<input type="checkbox"/>	<input type="checkbox"/>	<input type="checkbox"/>	<input type="checkbox"/>	<input type="checkbox"/>	<input type="checkbox"/>	<input type="checkbox"/>	<input type="checkbox"/>	
		6"	<input type="checkbox"/>	<input type="checkbox"/>	<input type="checkbox"/>	<input type="checkbox"/>	<input type="checkbox"/>	<input type="checkbox"/>	<input type="checkbox"/>	<input type="checkbox"/>	<input type="checkbox"/>	<input type="checkbox"/>	<input type="checkbox"/>	<input type="checkbox"/>	<input type="checkbox"/>	<input type="checkbox"/>	
<input type="checkbox"/> 2" Taper [RGFT02]	£60	3"	<input type="checkbox"/>	<input type="checkbox"/>	<input type="checkbox"/>	<input type="checkbox"/>	<input type="checkbox"/>	<input type="checkbox"/>	<input type="checkbox"/>	<input type="checkbox"/>	<input type="checkbox"/>	<input type="checkbox"/>	<input type="checkbox"/>	<input type="checkbox"/>	<input type="checkbox"/>	<input type="checkbox"/>	
		4"	<input type="checkbox"/>	<input type="checkbox"/>	<input type="checkbox"/>	<input type="checkbox"/>	<input type="checkbox"/>	<input type="checkbox"/>	<input type="checkbox"/>	<input type="checkbox"/>	<input type="checkbox"/>	<input type="checkbox"/>	<input type="checkbox"/>	<input type="checkbox"/>	<input type="checkbox"/>	<input type="checkbox"/>	
		5"	<input type="checkbox"/>	<input type="checkbox"/>	<input type="checkbox"/>	<input type="checkbox"/>	<input type="checkbox"/>	<input type="checkbox"/>	<input type="checkbox"/>	<input type="checkbox"/>	<input type="checkbox"/>	<input type="checkbox"/>	<input type="checkbox"/>	<input type="checkbox"/>	<input type="checkbox"/>	<input type="checkbox"/>	
		6"	<input type="checkbox"/>	<input type="checkbox"/>	<input type="checkbox"/>	<input type="checkbox"/>	<input type="checkbox"/>	<input type="checkbox"/>	<input type="checkbox"/>	<input type="checkbox"/>	<input type="checkbox"/>	<input type="checkbox"/>	<input type="checkbox"/>	<input type="checkbox"/>	<input type="checkbox"/>	<input type="checkbox"/>	
<input type="checkbox"/> 3.5° V-Front [RGFT05]	£60	3"	<input type="checkbox"/>	<input type="checkbox"/>	<input type="checkbox"/>	<input type="checkbox"/>	<input type="checkbox"/>	<input type="checkbox"/>	<input type="checkbox"/>	<input type="checkbox"/>	<input type="checkbox"/>	<input type="checkbox"/>	<input type="checkbox"/>	<input type="checkbox"/>	<input type="checkbox"/>	<input type="checkbox"/>	
		4"	<input type="checkbox"/>	<input type="checkbox"/>	<input type="checkbox"/>	<input type="checkbox"/>	<input type="checkbox"/>	<input type="checkbox"/>	<input type="checkbox"/>	<input type="checkbox"/>	<input type="checkbox"/>	<input type="checkbox"/>	<input type="checkbox"/>	<input type="checkbox"/>	<input type="checkbox"/>	<input type="checkbox"/>	
		5"	<input type="checkbox"/>	<input type="checkbox"/>	<input type="checkbox"/>	<input type="checkbox"/>	<input type="checkbox"/>	<input type="checkbox"/>	<input type="checkbox"/>	<input type="checkbox"/>	<input type="checkbox"/>	<input type="checkbox"/>	<input type="checkbox"/>	<input type="checkbox"/>	<input type="checkbox"/>	<input type="checkbox"/>	
		6"	<input type="checkbox"/>	<input type="checkbox"/>	<input type="checkbox"/>	<input type="checkbox"/>	<input type="checkbox"/>	<input type="checkbox"/>	<input type="checkbox"/>	<input type="checkbox"/>	<input type="checkbox"/>	<input type="checkbox"/>	<input type="checkbox"/>	<input type="checkbox"/>	<input type="checkbox"/>	<input type="checkbox"/>	
<input type="checkbox"/> 7° V-Front [RGFT06]	£60	3"	<input type="checkbox"/>	<input type="checkbox"/>	<input type="checkbox"/>	<input type="checkbox"/>	<input type="checkbox"/>	<input type="checkbox"/>	<input type="checkbox"/>	<input type="checkbox"/>	<input type="checkbox"/>	<input type="checkbox"/>	<input type="checkbox"/>	<input type="checkbox"/>	<input type="checkbox"/>	<input type="checkbox"/>	
		4"	<input type="checkbox"/>	<input type="checkbox"/>	<input type="checkbox"/>	<input type="checkbox"/>	<input type="checkbox"/>	<input type="checkbox"/>	<input type="checkbox"/>	<input type="checkbox"/>	<input type="checkbox"/>	<input type="checkbox"/>	<input type="checkbox"/>	<input type="checkbox"/>	<input type="checkbox"/>	<input type="checkbox"/>	
		5"	<input type="checkbox"/>	<input type="checkbox"/>	<input type="checkbox"/>	<input type="checkbox"/>	<input type="checkbox"/>	<input type="checkbox"/>	<input type="checkbox"/>	<input type="checkbox"/>	<input type="checkbox"/>	<input type="checkbox"/>	<input type="checkbox"/>	<input type="checkbox"/>	<input type="checkbox"/>	<input type="checkbox"/>	
		6"	<input type="checkbox"/>	<input type="checkbox"/>	<input type="checkbox"/>	<input type="checkbox"/>	<input type="checkbox"/>	<input type="checkbox"/>	<input type="checkbox"/>	<input type="checkbox"/>	<input type="checkbox"/>	<input type="checkbox"/>	<input type="checkbox"/>	<input type="checkbox"/>	<input type="checkbox"/>	<input type="checkbox"/>	

**Casters**

Caster Type	Price	Caster Size			
		3"	4"	5"	6"
.75" Rollerblade	£104	<input type="checkbox"/> [RGCAS002]	<input type="checkbox"/> [RGCAS004]		
.75" Lighted Rollerblade	£104	<input type="checkbox"/> [RGCAS001]	<input type="checkbox"/> [RGCAS005]		
1" Poly	N/C		<input type="checkbox"/> [RGCAS006]	<input type="checkbox"/> [RGCAS010]	<input type="checkbox"/> [RGCAS014]
1" Poly Aluminum	£104		<input type="checkbox"/> [RGCAS007]	<input type="checkbox"/> [RGCAS011]	
1" Pneumatic	£104				<input type="checkbox"/> [RGCAS017]
1.5" Poly	N/C		<input type="checkbox"/> [RGCAS032]	<input type="checkbox"/> [RGCAS025]	<input type="checkbox"/> [RGCAS026]
1.5" Soft Roll Aluminum	£104	<input type="checkbox"/> [RGCAS003]	<input type="checkbox"/> [RGCAS009]	<input type="checkbox"/> [RGCAS013]	<input type="checkbox"/> [RGCAS016]

Caster Position	
Optimized [RGCST015]	N/C
<i>Caster Placement minimizes the footprint of the chair</i>	
Expanded Width [RGCST016]	N/C
<i>Caster arm is positioned approximately .75" wider than Optimized position</i>	

See reference L on page 7

Fork Options	
Standard Fork [RGFRK001]	N/C
Single Sided Fork [RGFRK003]	£230
Frog Legs II Suspension System [RGCST014]	£518
<i>Lightweight shock absorbing fork. Not included in Colored Anodizing Package.</i>	

## Footrest

Footplate	
Tubular "Open" Footplate [RGFPL004]	N/C
<i>Not available with V-Taper</i>	
Tubular Footplate with ABS Cover [RGFPL005]	£104
<i>Not available w/footrest widths greater than 15.5". See Reference G on page 7. Not available with V-Taper.</i>	
Tubular Footplate with Carbon Fiber Cover [RGFPL027]	£200
<i>Not available with footrest widths greater than 15.5". See Reference G on Page 7. Not available with V-Taper.</i>	
Aluminum Angle Adjustable [RGFPL006]	£207
Aluminum Angle Adjustable with Riser [RGFPL007]	£207
High Mount Aluminum Angle Adjustable [RGFPL008]	£207
<i>Not available with V-Taper</i>	
Angle Adjustable Flip Under [RGFPL012]	£230
<i>Not available with footrest widths less than 9.5". Not available with V-Taper. See Reference G on page 7.</i>	
High Mount Angle Adjustable Flip Under [RGFPL011]	£288
<i>Not available w/footrest widths greater than 15.5". See Reference G on page 7. Not available with V-Taper.</i>	
Hybrid Angle Adjustable [RGFPL015]	£115
Hybrid Angle Adjustable with Wings [RGFPL016]	£115

Footrest Protector	
Footrest Protector [RGACC020]	£23
<i>Not available with Angle Adjustable Flip Under, High Mount Angle Adjustable Flip Under or High Mount Aluminum Angle Adjustable Footplates</i>	

Seat to Footrest Length	
<i>Measured from front edge of seat sling to top, rear of footrest. Footrest length at least 2.5" shorter than Front Seat Height recommended. See reference H on page 7.</i>	

8"	8.5"	9"	9.5"	10"	10.5"
11"	11.5"	12"	12.5"	13"	13.5"
14"	14.5"	15"	15.5"	16"	16.5"
17"	17.5"	18"	18.5"	19"	19.5"

## Rear Seat Height and Wheels

Wheel Size / Rear Seat Height	
-------------------------------	--

Select Rear Seat Height in row corresponding to desired Wheel Size. For proper setup, selection is required when omitting rear wheels. Measured from floor to top of seat tube at front of back post. Rear Seat Height is custom to needs. See reference I on page 7.

Wheel Size	Rear Seat Height															
	12.5" <sup>1</sup>	13"	13.5"	14"	14.5"	15"	15.5"	16"	16.5"	17"	17.5"	18"	18.5"	19"	19.5"	20"
20"																
22"																
24"																
25"																
26"																

<sup>1</sup> Available only with Low Profile tires

One Arm Drive	
---------------	--

One Arm Drive - Quick Release [RGDRV007] £1150  
*Available only with 20", 22" and 24" spoke wheels and quick release axles. Spoke wheel style provided is exclusive to OAD. Standard handrim will be Aluminum Anodized. Limitations exist based on rear wheel spacing, camber and armrest selections.*

Left Side Drive [RGDRV002]	N/C
Right Side Drive [RGDRV003]	N/C
Aluminum Drive Handrim [RGDRV004]	N/C
Poly Coated Drive Handrim [RGDRV005]	£230

## Wheels

No selection needed with One Arm Drive

		Rear Wheel Size					
		Price	20"	22"	24"	25"	26"
Rear Wheel Type	MAXX Spoke	N/C	[RGWH1120]	[RGWH1122]	[RGWH1124]	[RGWH1125]	[RGWH1126]
	Mag	£288	[RGWH1220]	[RGWH1222]	[RGWH1224]		
	Mag (Color) <sup>2</sup>	£288	[RGWH1320]	[RGWH1322]	[RGWH1324]		
	Superlight Spoke	£230			[RGWHE224]	[RGWHE225] <sup>1</sup>	
	Spinergy Spox	£771		[RGWHE422]	[RGWHE424]	[RGWHE425]	[RGWHE426]
	Spinergy LX	£1001		[RGWHE522]	[RGWHE524]	[RGWHE525]	[RGWHE526]

<sup>1</sup> Available only with Superlight and Plastic Coated Handrims

<sup>2</sup> Color selection on page 6

## Spinergy Options

Select spoke color for Spinergy Wheels

Black Spokes [RGSSC001]    Red Spokes [RGSSC002]  
Blue Spokes [RGSSC005]    White Spokes [RGSSC003] \_\_\_\_\_ N/C

## Rear Tire Type

### Full Profile

Street Pneumatic 1 3/8" [RGTIR001] \_\_\_\_\_ N/C  
*Not available on 25" wheel size*  
Full Poly 1 3/8" [RGTIR002] \_\_\_\_\_ £110  
*Not available on Superlight wheel or 25" or 26" wheel sizes*  
Pneumatic with Airless Insert 1 3/8" [RGTIR004] \_\_\_\_\_ £110  
*Not available on Superlight wheel or 25" wheel size*  
Schwalbe HS-127 1 3/8" [RGTIR017] \_\_\_\_\_ £110  
*Available only on 24" wheel size. Not available on Mag wheel*  
Mountain 2" Black [RGTIR009] \_\_\_\_\_ £110  
*Available only on 22", 24" and 25" MAXX wheels and Spinergy wheels*

### Low Profile

Low Poly 1" [RGTIR003] \_\_\_\_\_ N/C  
*Not available on Superlight wheel, 25" or 26" wheel sizes*  
Sentinel Solid Tire 1" [RGTIR005] \_\_\_\_\_ £110  
*Not available on Superlight Wheels*  
High Pressure 1" [RGTIR006] \_\_\_\_\_ N/C  
*Not available on Mag wheel*  
Schwalbe One 1" [RGTIR018] \_\_\_\_\_ £110  
*Available only on 24" and 25" wheel sizes. Not available on Mag wheel*  
Schwalbe Marathon Plus Evolution 1" [RGTIR010] \_\_\_\_\_ £110  
*Not available on Mag wheel, 20" or 22" wheel sizes*

## Handrims

### Standard Handrims

Aluminum Anodized [RGHRM001] \_\_\_\_\_ N/C  
Superlight Aluminum Anodized [RGHRM010] \_\_\_\_\_ N/C  
*Available only on 24" and 25" wheel sizes. Available only on MAXX Spokes, Superlight or Spinergy wheels. Not available with One Arm Drive.*  
Plastic Coated [RGHRM002] \_\_\_\_\_ £127  
Projection (8 Vertical Projections) [RGHRM003] \_\_\_\_\_ £345  
*Available only with full profile tires in combination with 22", 24", and 26" MAXX Spoke wheels, or 22" and 24" Mag wheels. Not available with One Arm Drive.*  
Omit Handrim [RGHRM012] \_\_\_\_\_ N/C

### Ergonomic Handrims

*Not available with 20" or 26" wheels*

Ergo Lite Regular Grip [RGHRM005] \_\_\_\_\_ £276  
Ergo Standard Regular Grip [RGHRM008] \_\_\_\_\_ £276  
Ergo Lite Extra Grip [RGHRM006] \_\_\_\_\_ £276  
Ergo Standard Extra Grip [RGHRM009] \_\_\_\_\_ £276  
Ergo Lite Omit Grip [RGHRM004] \_\_\_\_\_ £276  
Ergo Standard Omit Grip [RGHRM007] \_\_\_\_\_ £276

## Handrim Options

### Handrim Mount

*If no selection is made, Standard Mount will be used*

Close Mount [RGTAB001] \_\_\_\_\_ N/C  
*Reduces overall width by .75"*

### Micro-Grip

3M Micro Grip [RGACC006] \_\_\_\_\_ £104  
*Not available on Plastic Coated or Projection Handrims*

## Axles

Quick Release [RGAXO003] \_\_\_\_\_ N/C  
Quad Quick Release [RGAXO001] \_\_\_\_\_ £196  
*Not available with Mag or Spinergy wheels*

## Center of Gravity Presets

*Measured from front of back post to center of rear axle. 0" indicates axle will be directly under back post. See reference J on page 7.*

Amputee Positions				
-1.5" [RGCGA150]	-1" [RGCGA100]	-.5" [RGCGA050]	0" [RGCGS000]	.25" [RGCGS025]
Standard Positions				
.5" [RGCGS050]	.75" [RGCGS075]	1" [RGCGS100]	1.25" [RGCGS125]	1.5" [RGCGS150]
1.75" [RGCGS175]	2" [RGCGS200]	2.25" [RGCGS225]	2.5" [RGCGS250]	2.75" [RGCGS275]
3" [RGCGS300]	3.25" [RGCGS325]	3.5" [RGCGS350]	3.75" [RGCGS375]	4" [RGCGS400]
4.25" [RGCGS425]	4.5" [RGCGS450]	4.75" [RGCGS475]	5" [RGCGS500]	

### Rear Wheel Spacing

*1" minimum with 0° camber. 1.5" minimum with T-Arms. The following apply if One Arm Drive is selected: 1.75" minimum with T-Arms. 1.25" minimum with select Rear Seat Heights. See Reference K on page 7.*

0.75" [RGWS075]	1" [RGWS100]	1.25" [RGWS125]
1.5" [RGWS150]	1.75" [RGWS175]	N/C

### Rear Wheel Camber

*The following apply if One Arm Drive is selected: 6° and 8° not available. 4° not available with T-Arms.*

0° [RGWC00]	2° [RGWC02]	4° [RGWC04]	6° [RGWC06]
8° [RGWC08]			N/C

## Wheel Locks

### Wheel Lock

Push to Lock [RGWLK002]	N/C
Push to Lock Flush Mount [RGWLK001]	£69
Pull to Lock [RGWLK003]	N/C
Under Seat Scissor Lock [RGWLK007]	£69
<i>Not available with User Activated Anti-Tips</i>	
Low Profile Scissor Lock [RGWLK012]	£58
<i>Not Available with Full Poly tires</i>	
Omit [RGWLK008]	N/C

### Wheel Lock Options

Extension Handles [RGWLK004]	£69
<i>Available only with Push to Lock or Pull to Lock Wheel Locks</i>	
Grade Aids [RGWLK009]	£173
<i>Available only with Push to Lock Wheel Locks and Pneumatic or Pneumatic with Airless Insert tires</i>	

## Armrests

Armrest Type	Length	Price
Height Adjustable T-Arm Tall (11.5"-15")	Desk [RGARM039]	£230
	Full [RGARM040]	
Height Adjustable T-Arm (8.5"-13.5")	Desk [RGARM003]	£230
	Full [RGARM004]	
Height Adjustable T-Arm Low (6.5"-10.5") <sup>1</sup>	Desk [RGARM022]	£230
	Full [RGARM023]	

*1 If requested configuration is unavailable, standard height T-Arm will be used. 14" minimum seat depth with Offset Frame.*

*2 Includes direct mount receiver*

Armrest Type	[Code]	Price
Swing Away (8.5"-12.5")	[RGARM002]	£230
Swing Away with Side Guard (8.5"-12.5") <sup>2</sup>	[RGARM018]	£288
Omit Armrests	[RGARM007]	N/C

## Side Guards

### Direct Mount Side Guards

*Not available with T-Arms or Swing Away with Side Guard Armrests*

Composite Side Guards - Direct Mount Receiver [RGSDG002]	£58
Aluminum Straight - Direct Mount Receiver - Black Matte [RGSDG024]	£230
Aluminum Straight - Direct Mount Receiver - Match Frame Color [RGSDG025]	£288
<i>Not available with Hydrographics</i>	
Aluminum Adjustable Fender w/Foam Pad - Direct Mount Receiver - Black Matte [RGSDG014]	£230
<i>Not available with Adjustable Depth greater than 1/2"</i>	
Aluminum Adjustable Fender w/Foam Pad - Direct Mount Receiver - Match Frame Color [RGSDG015]	£288
<i>Not available with Adjustable Depth greater than 1/2". Not available with Hydrographics.</i>	
Carbon Fiber Adjustable Fender - Direct Mount Receiver [RGSDG013]	£288
<i>Not available with Adjustable Depth greater than 1/2"</i>	

### Clamp-On Mount Side Guards

*Not available with T-Arms or Swing Away with Side Guard Armrests*

Composite Side Guards - Clamp-On Receiver [RGSDG004]	£58
Aluminum Straight - Clamp-On Receiver - Black Matte [RGSDG020]	£230
Aluminum Straight - Clamp-On Receiver - Match Frame Color [RGSDG023]	£288
<i>Not available with Hydrographics</i>	
Aluminum Adjustable Fender w/Foam Pad - Clamp-On Receiver - Black Matte [RGSDG017]	£230
Aluminum Adjustable Fender w/Foam Pad - Clamp-On Receiver - Match Frame Color [RGSDG018]	£288
<i>Not available with Hydrographics</i>	
Carbon Fiber Adjustable Fender - Clamp-On Receiver [RGSDG016]	£288

## Accessories

Anti-Tips		Calf Strap	
Rear Anti-Tips [RGATP001]	£115	Velcro Adjustable [RGACC002]	£41
User Activated - Pair [RGATP012]	£345	Padded Velcro Adjustable [RGACC003]	£75
User Activated - Left [RGATP010]	£173	Padded Airmesh Calf Strap [RGACC010]	£75
User Activated - Right [RGATP011]	£173		
Omit [RGATP000]	N/C		

Pelvic Positioning Belt		Other Accessories	
1 1/2" Auto Buckle Pelvic Positioning Belt [RGPOB001]	£58	Tool Kit [RGACC005]	£20
1 1/2" Padded Auto Buckle Pelvic Positioning Belt [RGPOB002]	£173	Removable Underseat Pouch [RGACC015]	£30
Small Flex-Mount Positioning Belt (16-24") [RGPOB007]	£115	Ki Mobility Backpack [RGACC009]	£100
Medium Flex-Mount Positioning Belt (19-29") [RGPOB008]	£115	Luggage Carrier [RGACC025]	£92
Large Flex-Mount Positioning Belt (25-37") [RGPOB009]	£115	Black Neoprene Impact Guards [RGIMG001]	£58
		Under Chair Carrier and Removable Bag [RGACC001]	£46
		<i>Not available with Seat Widths less than 14" or scissor locks</i>	
		Cane and Crutch Holder [RGACC007]	£115

Belt Mounting Kit	
Ki Mobility Belt Mounting Clamp [RGACC023]	N/C
Bodypoint Belt Mounting Bracket Kit [RGACC013]	£115

## Color

Options	Price	Colors																							
		Gloss														Matte						Metallic			
		Black	Yellow	Light Pink	Dark Pink	Glacier Blue	Electric Green	Radiant Orange	Opalescent Violet	Purple Plum	Rich Teal	Metallic Orange	Granny Smith	Candy Red	Candy Blue	Candy Purple	Tactical Green	Dry Earth Tan	White	Shadow Black	Bright Red	Royal Blue	Charcoal Gray	Iridescent Navy	Iridescent Burgundy
Frame	N/C																								
Color Accent <sup>1</sup> Package	N/C																								
Backrest Release Bar	£58																								
	N/C	Black Anodized																							
Maxx Mag Color																									

<sup>1</sup> Includes backplates, towers, tower clamps, and camber tube. Not available with transit.

## Colored Anodized Package

Select desired color. If no selection is made, black will be used.

	Color	Black <sup>1</sup>	Blue	Bright Green	Gold	Orange	Pewter	Pink	Purple	Red
	Retail	N/C	N/C	N/C	N/C	N/C	N/C	N/C	N/C	N/C
Option	Back Plates <sup>2</sup>	[RGANOB01]	[RGANOB02]	[RGANOB03]	[RGANOB09]	[RGANOB04]	[RGANOB05]	[RGANOB06]	[RGANOB07]	[RGANOB08]
	Camber Tube <sup>3</sup>	[RGANOC01]	[RGANOC02]	[RGANOC03]	[RGANOC09]	[RGANOC04]	[RGANOC05]	[RGANOC06]	[RGANOC07]	[RGANOC08]
	Towers	[RGANOT01]	[RGANOT02]	[RGANOT03]	[RGANOT09]	[RGANOT04]	[RGANOT05]	[RGANOT06]	[RGANOT07]	[RGANOT08]
	Side Guard Receiver	[RGANOS01]	[RGANOS02]	[RGANOS03]	[RGANOS09]	[RGANOS04]	[RGANOS05]	[RGANOS07]	[RGANOS08]	[RGANOS09]
	Caster Fork <sup>3</sup>	[RGANOF01]	[RGANOF02]	[RGANOF03]	[RGANOF09]	[RGANOF04]	[RGANOF05]	[RGANOF06]	[RGANOF07]	[RGANOF08]

<sup>1</sup> Black is no charge

<sup>2</sup> Not available with Transit Option

<sup>3</sup> Available only with Standard or Single Sided

**References**

**A. Seat Width** See Diagram 1

Measured from outside of frame tube on one side to outside of frame tube on other side.

**B. Seat Depth** See Diagram 3

Measured from front of back posts to front edge of seat sling. Seat sling starts at beginning of bend at front of frame.

**C. Sling Position** See Diagram 2

In Performance Position (0°), sling is at front of frame to keep chair shorter and more maneuverable. The 1° or 2° seat sling position extends the frame in front of the sling by that amount. Adding more frame can improve stability and provide support to aid in transfers.

**D. Front Frame Bend** See Diagram 3

Angle between front seat tube and ground.

**E. Footrest Taper** See Diagram 1

Indicates bend of front frame creating footrest. Taper is measured from outside of seat frame to outside of front tube.

**F. Front Seat Height** See Diagram 1

Measured from floor to top of seat tube at front of seat sling.

**G. Footrest Width** See Diagram 1

Measured from inside of front tube to inside of front tube on other side. Footrest width is listed below for each seat width and taper.

Seat Width	Straight	1° Y Taper	2° Y Taper	3.5° V Taper	7° V Taper
Outside Measurement	2" Narrower than Seat Width	4" Narrower than Seat Width	6" Narrower than Seat Width	4" Narrower than Seat Width	6" Narrower than Seat Width
12"	9.5"	7.5"		7.5"	
13"	10.5"	8.5"		8.5"	
14"	11.5"	9.5"		9.5"	
15"	12.5"	10.5"		10.5"	
16"	13.5"	11.5"	9.5"	11.5"	9.5"
17"	14.5"	12.5"	10.5"	12.5"	10.5"
18"	15.5"	13.5"	11.5"	13.5"	11.5"
19"	16.5"	14.5"	12.5"	14.5"	12.5"
20"	17.5"	15.5"	13.5"	15.5"	13.5"

**H. Seat to Footrest Length** See Diagram 3

Measured from front edge of seat sling to top rear of footrest. Footrest length of at least 2.5" shorter than front seat height recommended.

**I. Rear Seat Height** See Diagram 3

Measured from floor to top of seat tube at front of back post. Rear seat height is custom to needs.

**J. Center of Gravity Preset** See Diagram 3

Measured from front of back post to center of rear axle. 0° indicates axle will be directly under back post.

**K. Rear Wheel Spacing** See Diagram 1

Measured from outside of seat back to inside of rear tire. Adjustable out .5" from setting.

**L. Caster Position** See Diagram 4

The Optimized Position keeps the casters tighter to the frame for enhanced maneuverability. Expanded Position pushes the casters out .75" past the Optimized Position for increased stability.

Diagram 1

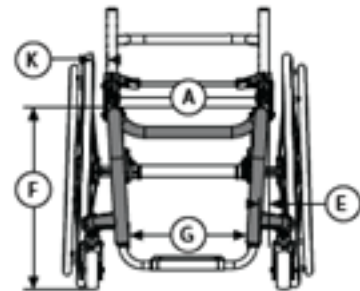


Diagram 2

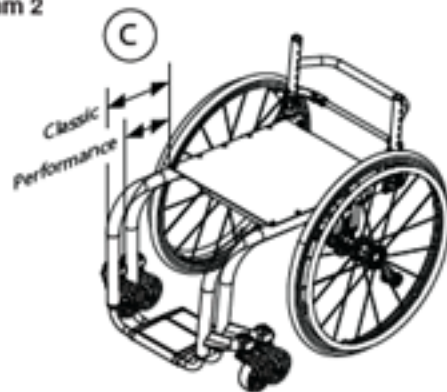


Diagram 3

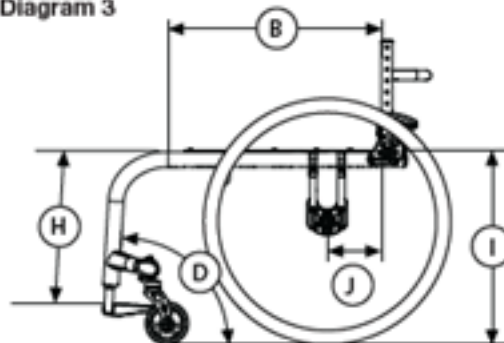
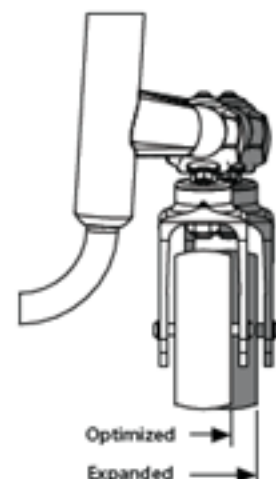


Diagram 4



This form must be opened in Adobe Acrobat. The Submit Form button will not work from most browser windows.



Etac UK 0(121)561-2222 | orders.uk@etac.com |  
www.kimobility.com | www.etac.com



## Axiom G

Weight capacity: 350 lbs

		Width							
		14"	15"	16"	17"	18"	19"	20"	22"
Retail		£85	£85	£85	£85	£85	£85	£85	£85
Depth	14"	[XG1414]							
	15"	[XG1415]	[XG1515]	[XG1615]					
	16"	[XG1416]	[XG1516]	[XG1616]	[XG1716]	[XG1816]	[XG1916]	[XG2016]	
	17"	[XG1417]	[XG1517]	[XG1617]	[XG1717]	[XG1817]	[XG1917]	[XG2017]	
	18"	[XG1418]	[XG1518]	[XG1618]	[XG1718]	[XG1818]	[XG1918]	[XG2018]	[XG2218]
	19"		[XG1519]	[XG1619]	[XG1719]	[XG1819]	[XG1919]	[XG2019]	[XG2219]
	20"		[XG1520]	[XG1620]	[XG1720]	[XG1820]	[XG1920]	[XG2020]	[XG2220]
	21"			[XG1621]		[XG1821]	[XG1921]	[XG2021]	[XG2221]
22"			[XG1622]		[XG1822]	[XG1922]	[XG2022]	[XG2222]	

## Axiom G - General Use Cushion with Extra Outer Cover

Weight capacity: 350 lbs

		Width							
		14"	15"	16"	17"	18"	19"	20"	22"
Retail		£125	£125	£125	£125	£125	£125	£125	£125
Depth	14"	[XG1414C2]							
	15"	[XG1415C2]	[XG1515C2]	[XG1615C2]					
	16"	[XG1416C2]	[XG1516C2]	[XG1616C2]	[XG1716C2]	[XG1816C2]	[XG1916C2]	[XG2016C2]	
	17"	[XG1417C2]	[XG1517C2]	[XG1617C2]	[XG1717C2]	[XG1817C2]	[XG1917C2]	[XG2017C2]	
	18"	[XG1418C2]	[XG1518C2]	[XG1618C2]	[XG1718C2]	[XG1818C2]	[XG1918C2]	[XG2018C2]	[XG2218C2]
	19"		[XG1519C2]	[XG1619C2]	[XG1719C2]	[XG1819C2]	[XG1919C2]	[XG2019C2]	[XG2219C2]
	20"		[XG1520C2]	[XG1620C2]	[XG1720C2]	[XG1820C2]	[XG1920C2]	[XG2020C2]	[XG2220C2]
	21"			[XG1621C2]		[XG1821C2]	[XG1921C2]	[XG2021C2]	[XG2221C2]
22"			[XG1622C2]		[XG1822C2]	[XG1922C2]	[XG2022C2]	[XG2222C2]	



## Axiom S - Skin Protection Cushion

Weight capacity: 350 lbs

		Width							
		14"	15"	16"	17"	18"	19"	20"	22"
	Retail	£120	£120	£120	£120	£120	£120	£120	£120
Depth	14"	[XS1414]							
	15"	[XS1415]	[XS1515]	[XS1615]					
	16"	[XS1416]	[XS1516]	[XS1616]	[XS1716]	[XS1816]	[XS1916]	[XS2016]	
	17"	[XS1417]	[XS1517]	[XS1617]	[XS1717]	[XS1817]	[XS1917]	[XS2017]	
	18"	[XS1418]	[XS1518]	[XS1618]	[XS1718]	[XS1818]	[XS1918]	[XS2018]	[XS2218]
	19"		[XS1519]	[XS1619]	[XS1719]	[XS1819]	[XS1919]	[XS2019]	[XS2219]
	20"		[XS1520]	[XS1620]	[XS1720]	[XS1820]	[XS1920]	[XS2020]	[XS2220]
	21"			[XS1621]		[XS1821]	[XS1921]	[XS2021]	[XS2221]
22"			[XS1622]		[XS1822]	[XS1922]	[XS2022]	[XS2222]	

## Axiom S - Skin Protection Cushion with Extra Outer Cover

Weight capacity: 350 lbs

		Width							
		14"	15"	16"	17"	18"	19"	20"	22"
	Retail	£160	£160	£160	£160	£160	£160	£160	£160
Depth	14"	[XS1414C2]							
	15"	[XS1415C2]	[XS1515C2]	[XS1615C2]					
	16"	[XS1416C2]	[XS1516C2]	[XS1616C2]	[XS1716C2]	[XS1816C2]	[XS1916C2]	[XS2016C2]	
	17"	[XS1417C2]	[XS1517C2]	[XS1617C2]	[XS1717C2]	[XS1817C2]	[XS1917C2]	[XS2017C2]	
	18"	[XS1418C2]	[XS1518C2]	[XS1618C2]	[XS1718C2]	[XS1818C2]	[XS1918C2]	[XS2018C2]	[XS2218C2]
	19"		[XS1519C2]	[XS1619C2]	[XS1719C2]	[XS1819C2]	[XS1919C2]	[XS2019C2]	[XS2219C2]
	20"		[XS1520C2]	[XS1620C2]	[XS1720C2]	[XS1820C2]	[XS1920C2]	[XS2020C2]	[XS2220C2]
	21"			[XS1621C2]		[XS1821C2]	[XS1921C2]	[XS2021C2]	[XS2221C2]
22"			[XS1622C2]		[XS1822C2]	[XS1922C2]	[XS2022C2]	[XS2222C2]	

## Axiom P - Positioning Cushion

Weight capacity: 350 lbs

		Width							
		14"	15"	16"	17"	18"	19"	20"	22"
	Retail	£170	£170	£170	£170	£170	£170	£170	£170
Depth	14"	[XP1414]							
	15"	[XP1415]	[XP1515]	[XP1615]					
	16"	[XP1416]	[XP1516]	[XP1616]	[XP1716]	[XP1816]	[XP1916]	[XP2016]	
	17"	[XP1417]	[XP1517]	[XP1617]	[XP1717]	[XP1817]	[XP1917]	[XP2017]	
	18"	[XP1418]	[XP1518]	[XP1618]	[XP1718]	[XP1818]	[XP1918]	[XP2018]	[XP2218]
	19"		[XP1519]	[XP1619]	[XP1719]	[XP1819]	[XP1919]	[XP2019]	[XP2219]
	20"		[XP1520]	[XP1620]	[XP1720]	[XP1820]	[XP1920]	[XP2020]	[XP2220]
	21"			[XP1621]		[XP1821]	[XP1921]	[XP2021]	[XP2221]
22"			[XP1622]		[XP1822]	[XP1922]	[XP2022]	[XP2222]	

## Axiom P - Positioning Cushion with Extra Outer Cover

Weight capacity: 350 lbs

		Width							
		14"	15"	16"	17"	18"	19"	20"	22"
	Retail	£210	£210	£210	£210	£210	£210	£210	£210
Depth	14"	[XP1414C2]							
	15"	[XP1415C2]	[XP1515C2]	[XP1615C2]					
	16"	[XP1416C2]	[XP1516C2]	[XP1616C2]	[XP1716C2]	[XP1816C2]	[XP1916C2]	[XP2016C2]	
	17"	[XP1417C2]	[XP1517C2]	[XP1617C2]	[XP1717C2]	[XP1817C2]	[XP1917C2]	[XP2017C2]	
	18"	[XP1418C2]	[XP1518C2]	[XP1618C2]	[XP1718C2]	[XP1818C2]	[XP1918C2]	[XP2018C2]	[XP2218C2]
	19"		[XP1519C2]	[XP1619C2]	[XP1719C2]	[XP1819C2]	[XP1919C2]	[XP2019C2]	[XP2219C2]
	20"		[XP1520C2]	[XP1620C2]	[XP1720C2]	[XP1820C2]	[XP1920C2]	[XP2020C2]	[XP2220C2]
	21"			[XP1621C2]		[XP1821C2]	[XP1921C2]	[XP2021C2]	[XP2221C2]
22"			[XP1622C2]		[XP1822C2]	[XP1922C2]	[XP2022C2]	[XP2222C2]	

## Axiom SP Visco - Skin Protection & Positioning Cushion

Weight capacity: 350 lbs

		Width								
		14"	15"	16"	17"	18"	19"	20"	21"	22"
	Retail	£350	£350	£350	£350	£350	£350	£350	£350	£350
Depth	14"	[XSP1414V]	[XSP1514V]	[XSP1614V]						
	15"	[XSP1415V]	[XSP1515V]	[XSP1615V]	[XSP1715V]	[XSP1815V]				
	16"	[XSP1416V]	[XSP1516V]	[XSP1616V]	[XSP1716V]	[XSP1816V]	[XSP1916V]	[XSP2016V]		[XSP2216V]
	17"	[XSP1417V]	[XSP1517V]	[XSP1617V]	[XSP1717V]	[XSP1817V]	[XSP1917V]	[XSP2017V]		[XSP2217V]
	18"	[XSP1418V]	[XSP1518V]	[XSP1618V]	[XSP1718V]	[XSP1818V]	[XSP1918V]	[XSP2018V]	[XSP2118V]	[XSP2218V]
	19"	[XSP1419V]	[XSP1519V]	[XSP1619V]	[XSP1719V]	[XSP1819V]	[XSP1919V]	[XSP2019V]	[XSP2119V]	[XSP2219V]
	20"	[XSP1420V]	[XSP1520V]	[XSP1620V]	[XSP1720V]	[XSP1820V]	[XSP1920V]	[XSP2020V]	[XSP2120V]	[XSP2220V]
	21"		[XSP1521V]	[XSP1621V]	[XSP1721V]	[XSP1821V]	[XSP1921V]	[XSP2021V]	[XSP2121V]	[XSP2221V]
22"		[XSP1522V]	[XSP1622V]	[XSP1722V]	[XSP1822V]	[XSP1922V]	[XSP2022V]	[XSP2122V]	[XSP2222V]	

## Axiom SP Visco - Skin Protection & Positioning Cushion with Extra Outer Cover

Weight capacity: 350 lbs

		Width								
		14"	15"	16"	17"	18"	19"	20"	21"	22"
	Retail	£410	£410	£410	£410	£410	£410	£410	£410	£410
Depth	14"	[XSP1414VC2]	[XSP1514VC2]	[XSP1614VC2]						
	15"	[XSP1415VC2]	[XSP1515VC2]	[XSP1615VC2]	[XSP1715VC2]	[XSP1815VC2]				
	16"	[XSP1416VC2]	[XSP1516VC2]	[XSP1616VC2]	[XSP1716VC2]	[XSP1816VC2]	[XSP1916VC2]	[XSP2016VC2]		[XSP2216VC2]
	17"	[XSP1417VC2]	[XSP1517VC2]	[XSP1617VC2]	[XSP1717VC2]	[XSP1817VC2]	[XSP1917VC2]	[XSP2017VC2]		[XSP2217VC2]
	18"	[XSP1418VC2]	[XSP1518VC2]	[XSP1618VC2]	[XSP1718VC2]	[XSP1818VC2]	[XSP1918VC2]	[XSP2018VC2]	[XSP2118VC2]	[XSP2218VC2]
	19"	[XSP1419VC2]	[XSP1519VC2]	[XSP1619VC2]	[XSP1719VC2]	[XSP1819VC2]	[XSP1919VC2]	[XSP2019VC2]	[XSP2119VC2]	[XSP2219VC2]
	20"	[XSP1420VC2]	[XSP1520VC2]	[XSP1620VC2]	[XSP1720VC2]	[XSP1820VC2]	[XSP1920VC2]	[XSP2020VC2]	[XSP2120VC2]	[XSP2220VC2]
	21"		[XSP1521VC2]	[XSP1621VC2]	[XSP1721VC2]	[XSP1821VC2]	[XSP1921VC2]	[XSP2021VC2]	[XSP2121VC2]	[XSP2221VC2]
22"		[XSP1522VC2]	[XSP1622VC2]	[XSP1722VC2]	[XSP1822VC2]	[XSP1922VC2]	[XSP2022VC2]	[XSP2122VC2]	[XSP2222VC2]	

This form must be opened in Adobe Acrobat. The Submit Form button will not work from most browser windows.



Etac UK 0(121)561-2222 | orders.uk@etac.com |  
www.kimobility.com | www.etac.com



## Axiom SP Fluid - Skin Protection & Positioning Cushion

Weight capacity: 350 lbs

		Width								
		14"	15"	16"	17"	18"	19"	20"	21"	22"
Retail		£320	£320	£320	£320	£320	£320	£320	£320	£320
Depth	14"	[XSP1414F]	[XSP1514F]	[XSP1614F]						
	15"	[XSP1415F]	[XSP1515F]	[XSP1615F]	[XSP1715F]	[XSP1815F]				
	16"	[XSP1416F]	[XSP1516F]	[XSP1616F]	[XSP1716F]	[XSP1816F]	[XSP1916F]	[XSP2016F]		[XSP2216F]
	17"	[XSP1417F]	[XSP1517F]	[XSP1617F]	[XSP1717F]	[XSP1817F]	[XSP1917F]	[XSP2017F]		[XSP2217F]
	18"	[XSP1418F]	[XSP1518F]	[XSP1618F]	[XSP1718F]	[XSP1818F]	[XSP1918F]	[XSP2018F]	[XSP2118F]	[XSP2218F]
	19"	[XSP1419F]	[XSP1519F]	[XSP1619F]	[XSP1719F]	[XSP1819F]	[XSP1919F]	[XSP2019F]	[XSP2119F]	[XSP2219F]
	20"	[XSP1420F]	[XSP1520F]	[XSP1620F]	[XSP1720F]	[XSP1820F]	[XSP1920F]	[XSP2020F]	[XSP2120F]	[XSP2220F]
	21"		[XSP1521F]	[XSP1621F]	[XSP1721F]	[XSP1821F]	[XSP1921F]	[XSP2021F]	[XSP2121F]	[XSP2221F]
	22"		[XSP1522F]	[XSP1622F]	[XSP1722F]	[XSP1822F]	[XSP1922F]	[XSP2022F]	[XSP2122F]	[XSP2222F]

## Axiom SP Fluid - Skin Protection & Positioning Cushion with Extra Outer Cover

Weight capacity: 350 lbs

		Width								
		14"	15"	16"	17"	18"	19"	20"	21"	22"
Retail		£360	£360	£360	£360	£360	£360	£360	£360	£360
Depth	14"	[XSP1414FC2]	[XSP1514FC2]	[XSP1614FC2]						
	15"	[XSP1415FC2]	[XSP1515FC2]	[XSP1615FC2]	[XSP1715FC2]	[XSP1815FC2]				
	16"	[XSP1416FC2]	[XSP1516FC2]	[XSP1616FC2]	[XSP1716FC2]	[XSP1816FC2]	[XSP1916FC2]	[XSP2016FC2]		[XSP2216FC2]
	17"	[XSP1417FC2]	[XSP1517FC2]	[XSP1617FC2]	[XSP1717FC2]	[XSP1817FC2]	[XSP1917FC2]	[XSP2017FC2]		[XSP2217FC2]
	18"	[XSP1418FC2]	[XSP1518FC2]	[XSP1618FC2]	[XSP1718FC2]	[XSP1818FC2]	[XSP1918FC2]	[XSP2018FC2]	[XSP2118FC2]	[XSP2218FC2]
	19"	[XSP1419FC2]	[XSP1519FC2]	[XSP1619FC2]	[XSP1719FC2]	[XSP1819FC2]	[XSP1919FC2]	[XSP2019FC2]	[XSP2119FC2]	[XSP2219FC2]
	20"	[XSP1420FC2]	[XSP1520FC2]	[XSP1620FC2]	[XSP1720FC2]	[XSP1820FC2]	[XSP1920FC2]	[XSP2020FC2]	[XSP2120FC2]	[XSP2220FC2]
	21"		[XSP1521FC2]	[XSP1621FC2]	[XSP1721FC2]	[XSP1821FC2]	[XSP1921FC2]	[XSP2021FC2]	[XSP2121FC2]	[XSP2221FC2]
	22"		[XSP1522FC2]	[XSP1622FC2]	[XSP1722FC2]	[XSP1822FC2]	[XSP1922FC2]	[XSP2022FC2]	[XSP2122FC2]	[XSP2222FC2]

This form must be opened in Adobe Acrobat. The Submit Form button will not work from most browser windows.



Phone (800) 981-1540 | Fax (715) 254-0996  
 sales@kimobility.com | www.kimobility.com



Axiom Back Width	Fits Back Frame Widths	
	Inner Slots	Outer Slots
12" (30.5cm)	11" (28.0cm)	12" -14" (30.5cm - 35.5cm)
14" (35.5cm)	12" -13" (30.5cm - 33.0cm)	14" -16" (35.5cm - 40.5cm)
16" (40.5cm)	14" -15" (35.5cm - 38.0cm)	16" -18" (40.5cm - 45.5cm)
18" (45.5cm)	16" - 17" (40.5cm - 43.0cm)	18" - 20" (45.5cm - 51.0cm)
20" (51.0cm)	18" -19" (45.5cm - 48.5cm)	20" -22" (51.0cm - 56.0cm)
22" (56.0cm)	20" -21" (51.0cm - 53.5cm)	22" -24" (56.0cm - 61.0cm)

Hardware Description	Code
Improved DEX Hardware, removable adjustable hardware (300 lb max user weight)	<b>DEX</b>
New BTX Hardware, removable adjustable hardware not recommended for, or installed on Ultralight Rigid Frame Wheelchairs (400 lb max user weight)	<b>BTX</b>
New Fixed Hardware, non-removeable hardware up to (300 lb max user weight)	<b>FXT</b>



## Axiom Back

*Hardware is included with back. Low Back selections are not available with headrests, modifications, or posture supports.*

### Axiom Posterior Back (PB)

		Width						
		12"	14"	16"	18"	20"	22"	
Retail		£550	£550	£550	£550	£550	£550	
Height	Low	8"	[AXPB1208]	[AXPB1408]	[AXPB1608]	[AXPB1808]	[AXPB2008]	
		10"		[AXPB1410]	[AXPB1610]	[AXPB1810]	[AXPB2010]	[AXPB2210]
		12"	[AXPB1212]	[AXPB1412]	[AXPB1612]	[AXPB1812]	[AXPB2012]	
	Mid	14"		[AXPB1414]	[AXPB1614]	[AXPB1814]	[AXPB2014]	[AXPB2214]
		16"	[AXPB1216]	[AXPB1416]	[AXPB1616]	[AXPB1816]	[AXPB2016]	
		18"		[AXPB1418]	[AXPB1618]	[AXPB1818]	[AXPB2018]	[AXPB2218]

### Back Hardware

*FXT Hardware is not available with Lateral Support Options*

DEX Hardware [DEX]    BTX Hardware [BTX]    FXT Hardware [FXT] \_\_\_\_\_ N/C



Phone (800) 981-1540 | Fax (715) 254-0996  
 sales@kimobility.com | www.kimobility.com



**Lateral Support**

Pair	Description	Item Code	Pair
	3 x 4 Lateral Pads with Fixed Mounting Hardware - Pair	PBLF3x4PP	£295
	4 x 5 Lateral Pads with Fixed Mounting Hardware - Pair	PBLF4x5PP	£295
	3 x 4 Lateral Pads with Swing Away Mounting Hardware - Pair	PBLS3x4PP	£628
	4 x 5 Lateral Pads with Swing Away Mounting Hardware - Pair	PBLS4x5PP	£628
	3 x 4 Lateral Pads with Adjustable Swing Away Mounting Hardware - Pair	PBLAS3x4PP	£628
	4 x 5 Lateral Pads with Adjustable Swing Away Mounting Hardware - Pair	PBLAS4x5PP	£628

**Axiom Posterior Lateral Back (PL)**

		Width						
		12"	14"	16"	18"	20"	22"	
Retail		£550	£550	£550	£550	£550	£550	
Height	Low	8"	[AXPL1208]	[AXPL1408]	[AXPL1608]	[AXPL1808]	[AXPL2008]	
		10"		[AXPL1410]	[AXPL1610]	[AXPL1810]	[AXPL2010]	[AXPL2210]
		12"	[AXPL1212]	[AXPL1412]	[AXPL1612]	[AXPL1812]	[AXPL2012]	
	Mid	14"		[AXPL1414]	[AXPL1614]	[AXPL1814]	[AXPL2014]	[AXPL2214]
		16"	[AXPL1216]	[AXPL1416]	[AXPL1616]	[AXPL1816]	[AXPL2016]	
		18"		[AXPL1418]	[AXPL1618]	[AXPL1818]	[AXPL2018]	[AXPL2218]
	Tall	20"	[AXPL1220]	[AXPL1420]	[AXPL1620]	[AXPL1820]	[AXPL2020]	
		22"		[AXPL1422]	[AXPL1622]	[AXPL1822]	[AXPL2022]	[AXPL2222]

**Back Hardware**

*FXT Hardware is not available with Lateral Support Options*

DEX Hardware [DEX]    BTX Hardware [BTX]    FXT Hardware [FXT] \_\_\_\_\_ N/C

**Lateral Support**

Pair	Description	Item Code	Pair
	3 x 4 Lateral Pads with Fixed Mounting Hardware - Pair	PLLF3x4PP	£295
	4 x 5 Lateral Pads with Fixed Mounting Hardware - Pair	PLLF4x5PP	£295
	3 x 4 Lateral Pads with Swing Away Mounting Hardware - Pair	PLLS3x4PP	£628
	4 x 5 Lateral Pads with Swing Away Mounting Hardware - Pair	PLLS4x5PP	£628
	3 x 4 Lateral Pads with Adjustable Swing Away Mounting Hardware - Pair	PLLAS3x4PP	£628
	4 x 5 Lateral Pads with Adjustable Swing Away Mounting Hardware - Pair	PLLAS4x5PP	£628

**Axiom Deep Lateral Back (DL)**

		Width						
		12"	14"	16"	18"	20"	22"	
Retail		£550	£550	£550	£550	£550	£550	
Height	Mid	14"	[AXDL1214]	[AXDL1414]	[AXDL1614]	[AXDL1814]	[AXDL2014]	[AXDL2214]
		16"		[AXDL1416]	[AXDL1616]	[AXDL1816]	[AXDL2016]	
		18"	[AXDL1218]	[AXDL1418]	[AXDL1618]	[AXDL1818]	[AXDL2018]	[AXDL2218]
	Tall	20"	[AXDL1220]	[AXDL1420]	[AXDL1620]	[AXDL1820]	[AXDL2020]	
		22"		[AXDL1422]	[AXDL1622]	[AXDL1822]	[AXDL2022]	[AXDL2222]

**Back Hardware**

DEX Hardware [DEX]    BTX Hardware [BTX]    FXT Hardware [FXT] \_\_\_\_\_ N/C

This form must be opened in Adobe Acrobat. The Submit Form button will not work from most browser windows.



Phone (800) 981-1540 | Fax (715) 254-0996  
 sales@kimobility.com | www.kimobility.com



## Headrest

Description	Std. Straight Removable Adjustable Hardware		Multi-Axis Removable Adjustable Hardware		Posalinc Removable Adjustable Hardware		Posalinc Flip-Back Adjustable Hardware	
	Item Code	Retail	Item Code	Retail	Item Code	Retail	Item Code	Retail
Comfort Soft Headrest 8"	<input type="checkbox"/> [CS08SS]	£268	<input type="checkbox"/> [CS08MA]	£268	<input type="checkbox"/> [CS08PL]	£268	<input type="checkbox"/> [CS08PLF]	N/C
Comfort Soft Headrest 10"	<input type="checkbox"/> [CS10SS]	£268	<input type="checkbox"/> [CS10MA]	£268	<input type="checkbox"/> [CS10PL]	£268	<input type="checkbox"/> [CS10PLF]	N/C
Comfort Soft Headrest 14"	<input type="checkbox"/> [CS14SS]	£268	<input type="checkbox"/> [CS14MA]	£268	<input type="checkbox"/> [CS14PL]	£268	<input type="checkbox"/> [CS14PLF]	N/C
Contour Positioning Pad, 8" X 6.25"	<input type="checkbox"/> [CP08SS]	£303	<input type="checkbox"/> [CP08MA]	£303	<input type="checkbox"/> [CP08PL]	£303	<input type="checkbox"/> [CP08PLF]	N/C
Contour Positioning Pad, 9" X 6.5"	<input type="checkbox"/> [CP09SS]	£303	<input type="checkbox"/> [CP09MA]	£303	<input type="checkbox"/> [CP09PL]	£303	<input type="checkbox"/> [CP09PLF]	N/C
Contour Positioning Pad, 10" X 7.5"	<input type="checkbox"/> [CP10SS]	£303	<input type="checkbox"/> [CP10MA]	£303	<input type="checkbox"/> [CP10PL]	£303	<input type="checkbox"/> [CP10PLF]	N/C
Tri-soft Headrest 10"	<input type="checkbox"/> [TS10SS]	£386	<input type="checkbox"/> [TS10MA]	£386	<input type="checkbox"/> [TS10PL]	£386	<input type="checkbox"/> [TS10PLF]	N/C
Tri-soft Headrest 14"	<input type="checkbox"/> [TS14SS]	£386	<input type="checkbox"/> [TS14MA]	£386	<input type="checkbox"/> [TS14PL]	£386	<input type="checkbox"/> [TS14PLF]	N/C

Description	Item Code	Retail
Universal Headrest Mounting Plate	<input type="checkbox"/> [UMP]	£43

*Not required for Axiom Headrests*

## Anterior Trunk Supports

*Selection of Anterior Thoracic Mounting Modification required in order to mount posture supports. Not available with Low Backs.*

Anterior Trunk Supports		
Description	Item Code	Retail
Dynaform Chest Support: 2-Piece with Hook&Loop, 3" High Pad, Small	<input type="checkbox"/> [14941]	£100
Dynaform Chest Support: 2-Piece with Hook&Loop, 4" High Pad, Medium	<input type="checkbox"/> [14942]	£100
Dynaform Chest Support: 2-Piece with Hook&Loop, 5" High Pad, Large	<input type="checkbox"/> [14943]	£100
Dynaform Chest Support: 1-Piece with Buckle, 3" Height x 18" Width, Small	<input type="checkbox"/> [14924]	£100
Dynaform Chest Support: 1-Piece with Buckle, 4" Height x 20" Width, Medium	<input type="checkbox"/> [14927]	£100
Dynaform Chest Support: 1-Piece with Buckle, 4" Height x 22" Width, Large	<input type="checkbox"/> [14928]	£100
Dynaform Anterior Trunk Support: Standard, Dynamic, X-Small	<input type="checkbox"/> [14851]	£100
Dynaform Anterior Trunk Support: Standard, Dynamic, Small	<input type="checkbox"/> [14852]	£100
Dynaform Anterior Trunk Support: Standard, Dynamic, Medium	<input type="checkbox"/> [14853]	£100
Dynaform Anterior Trunk Support: Standard, Dynamic, Large	<input type="checkbox"/> [14854]	£100
Dynaform Anterior Trunk Support: Slim Cut, Dynamic, X-Small	<input type="checkbox"/> [14856]	£100
Dynaform Anterior Trunk Support: Slim Cut, Dynamic, Small	<input type="checkbox"/> [14857]	£100
Dynaform Anterior Trunk Support: Slim Cut, Dynamic, Medium	<input type="checkbox"/> [14858]	£100
Dynaform Anterior Trunk Support: Slim Cut, Dynamic, Large	<input type="checkbox"/> [14859]	£100
AirLogic Anterior Trunk Support: Standard, Structure, Small	<input type="checkbox"/> [14282]	£300
AirLogic Anterior Trunk Support: Standard, Structure, Medium	<input type="checkbox"/> [14283]	£300
AirLogic Anterior Trunk Support: Standard, Structure, Large	<input type="checkbox"/> [14284]	£300
AirLogic Anterior Trunk Support: Standard, Structure, X-Large	<input type="checkbox"/> [14285]	£300
AirLogic Anterior Trunk Support: Slim Cut, Dynamic, Small	<input type="checkbox"/> [14257]	£300
AirLogic Anterior Trunk Support: Slim Cut, Dynamic, Medium	<input type="checkbox"/> [14258]	£300
AirLogic Anterior Trunk Support: Slim Cut, Dynamic, Large	<input type="checkbox"/> [14259]	£300
AirLogic Anterior Trunk Support: Slim Cut, Dynamic, X-Large	<input type="checkbox"/> [14260]	£300

This form must be opened in Adobe Acrobat. The Submit Form button will not work from most browser windows.



Phone (800) 981-1540 | Fax (715) 254-0996  
sales@kimobility.com | www.kimobility.com



## Accessories

- Adjustable Shoulder Guides [AXBBSG] £43  
*Includes Anterior Thoracic Mounting Modification. Not available with Low Backs.*
- Lumbar Pad [LUMPAD] N/C  
*Available only with Axiom Lateral Back and Axiom Deep Lateral back*
- Privacy Flap [PRFLAP] £44

## Axiom Back Modifications

### Axiom Back Modifications

*Extended lead times will apply for all modifications. Makes back non-refundable.*

- Anterior Thoracic Mounting Modification [AXSMM] N/C  
*Provides holes for Anterior Thoracic Supports and Shoulder Guides*

### Gloss Finish Back Shell

*If no selection is made, standard Shadow Black will be used with no additional lead time*

- Opalescent Violet [AXMOV1] N/C
- Radiant Orange [AXMROR] N/C
- Electric Green [AXMEGN] N/C
- Glacier Blue [AXMGBL] N/C
- Dark Pink [AXMDPK] N/C
- Light Pink [AXMLPK] N/C
- Rich Teal [AXMRTE] N/C
- Purple Plum [AXMPLM] N/C
- Black [AXMBLK] N/C
- Candy Blue [AXMCBL] N/C
- Candy Purple [AXMPUR] N/C
- Candy Red [AXMRED] N/C
- Granny Smith [AXMGSM] N/C
- Metallic Orange [AXMMOR] N/C
- Yellow [AXMYLW] N/C

### Matte Finish Back Shell

*If no selection is made, standard Shadow Black will be used with no additional lead time*

- Bright Red [AXMBRR] N/C
- White [AXMWHT] N/C
- Dry Earth Tan [AXMTAN] N/C
- Tactical Green [AXMTGR] N/C
- Charcoal Gray [AXMCGM] N/C
- Iridescent Burgundy [AXMIBM] N/C
- Iridescent Navy [AXMINM] N/C
- Royal Blue [AXMRBM] N/C

### Metallic Finish Back Shell

*If no selection is made, standard Shadow Black will be used with no additional lead time*

- Blue Steel [AXMBLS] N/C