

This form must be opened in Adobe Acrobat. The Submit Form button will not work from most browser windows.



Phone (800) 981-1540 | Fax (715) 254-0996  
 sales@kimobility.com | www.kimobility.com



Company:

Account Number:  Date:

Quote:  PO Number:

ATP:

Marked For:

Associated Quote/Order#:

Ship To:

Address:

City:  State:

Zip:  Phone:

Email/Fax:

**SubmitButton**

Effective: 7/11/2024

Clik XP £2750  
 Width Growable Frame Price includes one time free growth kit 165 lb weight capacity

## Frame

### Seat Width

- See reference A on page 8*
- 8" [CLSWT008] N/C  
*Not available 14"-16" Seat Depth.*
  - 9" [CLSWT009] N/C  
*Not available 15"-16" Seat Depth.*
  - 10" [CLSWT010] N/C  
*Not available 16" Seat Depth.*
  - 11" [CLSWT011] N/C
  - 12" [CLSWT012] N/C
  - 13" [CLSWT013] N/C
  - 14" [CLSWT014] N/C  
*Not available 8" Seat Depth.*
  - 15" [CLSWT015] N/C  
*Not available 8"-9" Seat Depth.*
  - 16" [CLSWT016] N/C  
*Not available 8"-10" Seat Depth.*

### Seat Depth

- See reference B on page 8*
- 8" [CLSDE008] N/C
  - 9" [CLSDE009] N/C
  - 10" [CLSDE010] N/C
  - 11" [CLSDE011] N/C
  - 12" [CLSDE012] N/C
  - 13" [CLSDE013] N/C
  - 14" [CLSDE014] N/C
  - 15" [CLSDE015] N/C
  - 16" [CLSDE016] N/C

### Adjustable Depth

- Adds the capability to grow seat in depth. For restrictions see Chart 2 on page 8.*
- No Rear Adjustment [CLAD05] N/C
  - 1" [CLAD01] N/C
  - 2" [CLAD02] N/C
  - 3" [CLAD03] N/C

### Transit

- Transit System [CLTRNOPT] N/C
- Omit [CLTRNOP2] N/C

### Offset Option

- See Chart 1 on page 8.*
- Straight Frame [CLOSF002] N/C
  - Offset Frame [CLOSF001] N/C  
*Not available with 0 and -1 Sling Positions*

### Seat Option

- Growing Seat Sling [CLGSS002] N/C
- Growing Solid Seat Pan [CLGSS001] £237
- Omit Seat [CLCUS003] N/C

### Sling Position

- With 0 Sling Position, sling is approximately 4" from front down tube. The 1 and 2 Sling Positions extend the frame in front of the sling by that amount. -1 pushes the seat 1" farther forward. See reference D on page 8 for further detail and restrictions.*
- 2" [CLSP02] N/C
  - 1" [CLSP03] N/C
  - 0" [CLSP01] N/C  
*Not available with Offset Frame.*
  - 1" [CLSP04] N/C  
*Not available with Offset Frame.*

### Front Caster Wing

- Certain combinations of Seat Depth, Center of Gravity Position and Wheel Size may require a forward facing caster wing.*
- Forward Facing Wing [CLFCW001] N/C

### Front Frame Bend

- Angle between front seat tube and ground. See reference C on page 8.*
- 90° [CLFA01] N/C
  - 85° [CLFA03] N/C
  - 80° [CLFA02] N/C

## Backrest

Back Post / Height Range / Back Height							
Back Post	Price	Height Range	Back Height				
Height Adjustable (Standard or 1" Inward Offset)	N/C	<input type="checkbox"/> Extra Short <sup>1,2</sup>	<input type="checkbox"/> 9"	<input type="checkbox"/> 10"	<input type="checkbox"/> 11"	<input type="checkbox"/> 12"	
		<input type="checkbox"/> Short <sup>2</sup>	<input type="checkbox"/> 11"	<input type="checkbox"/> 12"	<input type="checkbox"/> 13"	<input type="checkbox"/> 14" <sup>4</sup>	
		<input type="checkbox"/> Medium <sup>2</sup>	<input type="checkbox"/> 13"	<input type="checkbox"/> 14"	<input type="checkbox"/> 15"	<input type="checkbox"/> 16"	
		<input type="checkbox"/> Tall <sup>2</sup>	<input type="checkbox"/> 15"	<input type="checkbox"/> 16"	<input type="checkbox"/> 17"	<input type="checkbox"/> 18"	
Height Adjustable (Integrated Handle)	N/C	<input type="checkbox"/> Short <sup>4,5</sup>	<input type="checkbox"/> 13"	<input type="checkbox"/> 14"	<input type="checkbox"/> 15"	<input type="checkbox"/> 16"	<input type="checkbox"/> 17"
		<input type="checkbox"/> Tall <sup>4,5</sup>	<input type="checkbox"/> 15"	<input type="checkbox"/> 16"	<input type="checkbox"/> 17"	<input type="checkbox"/> 18"	<input type="checkbox"/> 19"
Fixed Height (Straight or 1" Inward Offset)	£91	<input type="checkbox"/> Fixed <sup>3</sup>	<input type="checkbox"/> 9" <sup>1</sup>	<input type="checkbox"/> 10" <sup>1</sup>	<input type="checkbox"/> 11" <sup>1</sup>	<input type="checkbox"/> 12"	<input type="checkbox"/> 13"
			<input type="checkbox"/> 14"	<input type="checkbox"/> 15"	<input type="checkbox"/> 16"	<input type="checkbox"/> 17"	<input type="checkbox"/> 18"
Fixed Height 2" Offset	£91	<input type="checkbox"/> Fixed Offset 2" <sup>3</sup>	<input type="checkbox"/> 11" <sup>1</sup>	<input type="checkbox"/> 12" <sup>1</sup>	<input type="checkbox"/> 13" <sup>1</sup>	<input type="checkbox"/> 14" <sup>1</sup>	
			<input type="checkbox"/> 15"	<input type="checkbox"/> 16"	<input type="checkbox"/> 17"		

- 1 Not available with Fold Down Push Handle  
 2 Each Offset Back Post is offset 1/2" creating 1" overall offset. Only Available with Standard or 1" Inward Offset.  
 3 Uses 1" tubes compatible with after-market backs. Not available with back upholstery. 2" Inward or Outward Offset Back Posts are offset 1" creating 2" overall offset. 1" Offset Back Post is offset 1/2" creating 1" overall offset  
 4 Push Handles not available in combination with the Integrated Stroller Handle  
 5 18" max Back Height in combination with Back Upholstery

Back Post Option	
<input type="checkbox"/> Standard - No Offset [CLOBO004]	N/C
<input type="checkbox"/> 1" Inward Offset [CLOBO003]	N/C
Not available with 8" Seat Width	
<input type="checkbox"/> 2" Inward Offset [CLOBO001]	N/C
Not available with Height Adjustable Back Post. Not available with 8" or 9" Seat Widths	
<input type="checkbox"/> 2" Outward Offset [CLOBO002]	N/C
Not available with Height Adjustable Back Post. Not available with Swing Away Armrests or 8" and 9" Seat Widths	

Push Handle	
<input type="checkbox"/> Omit Push Handle [CLBCK008]	N/C
<input type="checkbox"/> Standard Push Handle [CLBCK004]	N/C
<input type="checkbox"/> Fold Down Push Handle [CLBCK006]	£164
<input type="checkbox"/> Low Profile Push Handle [CLBCK007]	£67

Rigidizer Bar Mounted Push Handle	
<i>Stroller Handles are removable and height adjustable</i>	
<input type="checkbox"/> Bolt-On Push Handle [CLBOP005]	£182
Handles will be 1" - 2" above back height	
<input type="checkbox"/> Ergo Stroller Handle [CLBCK009]	£182
<input type="checkbox"/> Single Stroller Handle [CLBOP007]	£164
<input type="checkbox"/> Double Stroller Handle [CLBOP006]	£218
Not available with 8"-10" Seat Widths	

Back Upholstery Options	
<i>Available only with Height Adjustable Back Posts. If selecting both upholstery and Axiom Back, the upholstery will be installed.</i>	
<input type="checkbox"/> Padded Velcro Adjustable with Standard Cover [CLBUP001]	N/C
Not available with 17" or 18" Back Heights in combination with 8" or 9" Seat Widths.	
<input type="checkbox"/> Padded Velcro Adjustable with Air Mesh Breathable Cover [CLBUP006]	£73
Not available on chair widths less than 12"	
<input type="checkbox"/> Tension Adjustable with Standard Cover [CLBUP002]	N/C
Not available with 8" and 9" Seat Widths. Not available on 10" Seat Width and 1" Inward Offset.	
<input type="checkbox"/> Tension Adjustable with Air Mesh Breathable Cover [CLBUP007]	£182
Not available on chair widths less than 12".	
<input type="checkbox"/> Omit [CLBUP003]	N/C

Seat Back Angle	
<i>Standard is 90° (perpendicular to floor). Minus (-°) closes back angle. Plus (+°) opens back angle.</i>	
<input type="checkbox"/> Standard [CLSBA001]	<input type="checkbox"/> 2° [CLSBA009]
<input type="checkbox"/> 6° [CLSBA011]	<input type="checkbox"/> 8° [CLSBA012]
<input type="checkbox"/> -2° [CLSBA014]	<input type="checkbox"/> -4° [CLSBA015]
<input type="checkbox"/> -8° [CLSBA017]	<input type="checkbox"/> -10° [CLSBA018]
<input type="checkbox"/> 4° [CLSBA010]	<input type="checkbox"/> 10° [CLSBA013]
<input type="checkbox"/> -6° [CLSBA016]	
	N/C

## Front Seat Height and Casters

Caster Size/ Front Seat Height	
--------------------------------	--

Select Front Seat Height in row corresponding to desired Caster Size.  
 Front Seat Height is measured from floor to top of seat tube at front of seat sling. Adjustable up or down by 1/2". See reference E on page 8.

Caster Size	Front Seat Height														
3"	<input type="checkbox"/> 11.5"	<input type="checkbox"/> 12"	<input type="checkbox"/> 12.5"	<input type="checkbox"/> 13"	<input type="checkbox"/> 13.5"	<input type="checkbox"/> 14"	<input type="checkbox"/> 14.5"	<input type="checkbox"/> 15"	<input type="checkbox"/> 15.5"	<input type="checkbox"/> 16"	<input type="checkbox"/> 16.5"	<input type="checkbox"/> 17"	<input type="checkbox"/> 17.5"	<input type="checkbox"/> 18"	<input type="checkbox"/> 18.5"
4"	<input type="checkbox"/> 12.5"	<input type="checkbox"/> 13"	<input type="checkbox"/> 13.5"	<input type="checkbox"/> 14"	<input type="checkbox"/> 14.5"	<input type="checkbox"/> 15"	<input type="checkbox"/> 15.5"	<input type="checkbox"/> 16"	<input type="checkbox"/> 16.5"	<input type="checkbox"/> 17"	<input type="checkbox"/> 17.5"	<input type="checkbox"/> 18"	<input type="checkbox"/> 18.5"	<input type="checkbox"/> 19"	<input type="checkbox"/> 19.5"
5"	<input type="checkbox"/> 13.5"	<input type="checkbox"/> 14"	<input type="checkbox"/> 14.5"	<input type="checkbox"/> 15"	<input type="checkbox"/> 15.5"	<input type="checkbox"/> 16"	<input type="checkbox"/> 16.5"	<input type="checkbox"/> 17"	<input type="checkbox"/> 17.5"	<input type="checkbox"/> 18"	<input type="checkbox"/> 18.5"	<input type="checkbox"/> 19"	<input type="checkbox"/> 19.5"	<input type="checkbox"/> 20"	<input type="checkbox"/> 20.5"
6"	<input type="checkbox"/> 14.5"	<input type="checkbox"/> 15"	<input type="checkbox"/> 15.5"	<input type="checkbox"/> 16"	<input type="checkbox"/> 16.5"	<input type="checkbox"/> 17"	<input type="checkbox"/> 17.5"	<input type="checkbox"/> 18"	<input type="checkbox"/> 18.5"	<input type="checkbox"/> 19"	<input type="checkbox"/> 19.5"	<input type="checkbox"/> 20"	<input type="checkbox"/> 20.5"		

### Casters

		Caster Size				
		Price	3"	4"	5"	6"
Caster Type	.75" Rollerblade	N/C	<input type="checkbox"/> [CLCAS002]	<input type="checkbox"/> [CLCAS004]		
	.75" Lighted Rollerblade	£81	<input type="checkbox"/> [CLCAS001]	<input type="checkbox"/> [CLCAS005]	<input type="checkbox"/> [CLCAS033]	
	1" Poly	N/C		<input type="checkbox"/> [CLCAS006]	<input type="checkbox"/> [CLCAS010]	<input type="checkbox"/> [CLCAS014]
	1" Poly Aluminum	N/C		<input type="checkbox"/> [CLCAS007]	<input type="checkbox"/> [CLCAS011]	
	1" Pneumatic	£103				<input type="checkbox"/> [CLCAS017]
	1.5" Poly	N/C		<input type="checkbox"/> [CLCAS032]	<input type="checkbox"/> [CLCAS025]	<input type="checkbox"/> [CLCAS026]
	1.5" Soft Roll Aluminum	£97	<input type="checkbox"/> [CLCAS003]	<input type="checkbox"/> [CLCAS009]	<input type="checkbox"/> [CLCAS013]	<input type="checkbox"/> [CLCAS016]

### Caster Options

- Standard Fork [CLFRK001] N/C
- Single Sided Fork [CLFRK003] £121
- Frog Legs Suspension Fork [CLCST013] £344  
*Not included in Colored Anodizing Package.*

### Frog Leg Options

- Only for Frog Legs*
- User Weight Under 80 lbs [CLCST004] N/C
  - User Weight 80-120 lbs [CLCST008] N/C
  - User Weight 120-160 lbs [CLCST009] N/C

### Footrest

#### Footplates

- Aluminum Angle Adjustable [CLFPL006] £151  
*Not available with Front Seat Heights less than 14.5".*
- Aluminum Angle Adjustable with Riser [CLFPL007] £151  
*Not available with Front Seat Heights less than 14.5".*
- High Mount Aluminum Angle Adjustable [CLFPL008] £151
- Angle Adjustable Flip Under [CLFPL012] N/C  
*Not available with footrest widths less than 9" or with Front Seat Heights less than 15". See reference F on page 8.*
- High Mount Angle Adjustable Flip Under [CLFPL011] £151  
*Not available with 16" Seat Width in combination with Offset Frame.*

#### Seat to Footrest Length

*Measured from front edge of seat sling to top, rear of footrest. Footrest length at least 2.5" shorter than Front Seat Height recommended. See reference G on page 8.*

<input type="checkbox"/> 5.5"	<input type="checkbox"/> 6"	<input type="checkbox"/> 6.5"	<input type="checkbox"/> 7"	<input type="checkbox"/> 7.5"	<input type="checkbox"/> 8"
<input type="checkbox"/> 8.5"	<input type="checkbox"/> 9"	<input type="checkbox"/> 9.5"	<input type="checkbox"/> 10"	<input type="checkbox"/> 10.5"	<input type="checkbox"/> 11"
<input type="checkbox"/> 11.5"	<input type="checkbox"/> 12"	<input type="checkbox"/> 12.5"	<input type="checkbox"/> 13"	<input type="checkbox"/> 13.5"	<input type="checkbox"/> 14"
<input type="checkbox"/> 14.5"	<input type="checkbox"/> 15"	<input type="checkbox"/> 15.5"	<input type="checkbox"/> 16"	<input type="checkbox"/> 16.5"	<input type="checkbox"/> 17"
<input type="checkbox"/> 17.5"	<input type="checkbox"/> 18"				

### Rear Seat Height and Wheels

#### Wheel Size / Rear Seat Height

*Select Rear Seat Height in row corresponding to desired Wheel Size. For proper setup, selection is required when omitting rear wheels. Measured from floor to top of seat tube at front of back post. Rear Seat Height is custom to needs. See reference H on page 8.*

Wheel Size	Rear Seat Height															
18"	<input type="checkbox"/> 11.5" <sup>1</sup>	<input type="checkbox"/> 12"	<input type="checkbox"/> 12.5"	<input type="checkbox"/> 13"	<input type="checkbox"/> 13.5"	<input type="checkbox"/> 14"	<input type="checkbox"/> 14.5"	<input type="checkbox"/> 15"	<input type="checkbox"/> 15.5"	<input type="checkbox"/> 16"	<input type="checkbox"/> 16.5"	<input type="checkbox"/> 17"	<input type="checkbox"/> 17.5"	<input type="checkbox"/> 18"	<input type="checkbox"/> 18.5"	<input type="checkbox"/> 19"
20"	<input type="checkbox"/> 12.5" <sup>1</sup>	<input type="checkbox"/> 13"	<input type="checkbox"/> 13.5"	<input type="checkbox"/> 14"	<input type="checkbox"/> 14.5"	<input type="checkbox"/> 15"	<input type="checkbox"/> 15.5"	<input type="checkbox"/> 16"	<input type="checkbox"/> 16.5"	<input type="checkbox"/> 17"	<input type="checkbox"/> 17.5"	<input type="checkbox"/> 18"	<input type="checkbox"/> 18.5"	<input type="checkbox"/> 19"	<input type="checkbox"/> 19.5"	<input type="checkbox"/> 20"
22"	<input type="checkbox"/> 13.5" <sup>1</sup>	<input type="checkbox"/> 14"	<input type="checkbox"/> 14.5"	<input type="checkbox"/> 15"	<input type="checkbox"/> 15.5"	<input type="checkbox"/> 16"	<input type="checkbox"/> 16.5"	<input type="checkbox"/> 17"	<input type="checkbox"/> 17.5"	<input type="checkbox"/> 18"	<input type="checkbox"/> 18.5"	<input type="checkbox"/> 19"	<input type="checkbox"/> 19.5"	<input type="checkbox"/> 20"		
24"	<input type="checkbox"/> 14.5" <sup>1</sup>	<input type="checkbox"/> 15"	<input type="checkbox"/> 15.5"	<input type="checkbox"/> 16"	<input type="checkbox"/> 16.5"	<input type="checkbox"/> 17"	<input type="checkbox"/> 17.5"	<input type="checkbox"/> 18"	<input type="checkbox"/> 18.5"	<input type="checkbox"/> 19"	<input type="checkbox"/> 19.5"	<input type="checkbox"/> 20"				

<sup>1</sup> Available only with Low Profile tires

#### One Arm Drive

- One Arm Drive - Quick Release [CLDRV007] £846  
*Available only with 20", 22" and 24" spoke wheels and Quick Release axles. Spoke wheel style is exclusive to OAD. Standard handrim will be Aluminum anodized. Rear Wheel Spacing limitations exist based on camber and armrest selections. Not available with 10" wide chairs.*
- Left Side Drive [CLDRV002] N/C
- Right Side Drive [CLDRV003] N/C
- Aluminum Drive Handrim [CLDRV004] N/C
- Poly Coated Drive Handrim [CLDRV005] £182

## Rear Wheels

*No selection needed with One Arm Drive.*

		Rear Wheel Size				
		Price	18"	20"	22"	24"
Rear Wheel Type	MAXX Spoke	N/C	<input type="checkbox"/> [CLWH1118]	<input type="checkbox"/> [CLWH1120]	<input type="checkbox"/> [CLWH1122]	<input type="checkbox"/> [CLWH1124]
	Mag	£121		<input type="checkbox"/> [CLWH1220]	<input type="checkbox"/> [CLWH1222]	<input type="checkbox"/> [CLWH1224]
	Colored Mag <sup>1</sup>	£121		<input type="checkbox"/> [CLWH1320]	<input type="checkbox"/> [CLWH1322]	
	Spinergy Spox	£665		<input type="checkbox"/> [CLWHE420]	<input type="checkbox"/> [CLWHE422]	<input type="checkbox"/> [CLWHE424]
	Spinergy LX	£937			<input type="checkbox"/> [CLWHE522]	<input type="checkbox"/> [CLWHE524]

<sup>1</sup> Color selection on page 7

## Spinergy Options

Select spoke color and handrim tab for Spinergy wheels

### Spoke Color

- Black Spokes [CLSSC001]  
  Red Spokes [CLSSC002]  
  White Spokes [CLSSC003]  
  Blue Spokes [CLSSC005]  
 N/C

## Rear Tire Type

### Full Profile

- Street Pneumatic 1 3/8" [CLTIR001] £110  
 Full Poly 1 3/8" [CLTIR002] N/C  
 Pneumatic with Airless Insert 1 3/8" [CLTIR004] £110

### Low Profile

- Low Poly 1" [CLTIR003] N/C  
 Sentinel Solid Tire 1" [CLTIR005] £110  
*Not available on Superlight Wheels*  
 High Pressure 1" [CLTIR006] N/C  
*Not available on Mag wheel or 18" wheel size*  
 Schwalbe Marathon Plus Evolution 1" [CLTIR010] £110  
*Available only on 24" MAXX Spoke or Spinergy wheels*

## Handrims

### Standard Handrims

- Aluminum Anodized [CLHRM001] N/C  
 Plastic Coated [CLHRM002] £121  
 Projection (8 Vertical Projections) [CLHRM003] £272  
*Available only with full profile tires in combination with 22", 24", and 26" MAXX Spoke wheels, or 22" and 24" Mag wheels. Not available with One Arm Drive.*  
 Omit Handrim [CLHRM012] N/C

### Ergonomic Handrims

*Not available with 20" or 26" wheels.*

- Ergo Lite Regular Grip [CLHRM005] £272  
 Ergo Standard Regular Grip [CLHRM008] £272  
 Ergo Lite Extra Grip [CLHRM006] £272  
 Ergo Standard Extra Grip [CLHRM009] £272  
 Ergo Lite Omit Grip [CLHRM004] £272  
 Ergo Standard Omit Grip [CLHRM007] £272

## Handrim Options

- 3M Micro Grip [CLACC006] £91  
*Not available on Plastic Coated or Projection Handrims.*

### Handrim Mount

*If no selection is made, Standard Mount will be used.*

- Close Mount [CLTAB001] N/C  
*Reduces overall width by .75".*

## Axles

*No selection needed with Drum Brake.*

- Quick Release [CLAXO003] N/C  
 Quad Quick Release [CLAXO001] £182  
*Not available with Mag or Spinergy wheels.*

## Center of Gravity presets

*Measured from front of back post to center of rear axle. 0" indicates axle will be directly under back post. Center of Gravity setup may be limited with certain configurations. 2" minimum Center of Gravity with 5th Wheel and One Arm Drive and 0" minimum with Transit Option. See reference 1 on page 8.*

Amputee Positions				
<input type="checkbox"/> -1.5" [CLCGA150]	<input type="checkbox"/> -1" [CLCGA100]	<input type="checkbox"/> -.5" [CLCGA050]	<input type="checkbox"/> 0" [CLCGS000]	<input type="checkbox"/> .25" [CLCGS025]
Standard Positions				
<input type="checkbox"/> .5" [CLCGS050]	<input type="checkbox"/> .75" [CLCGS075]	<input type="checkbox"/> 1" [CLCGS100]	<input type="checkbox"/> 1.25" [CLCGS125]	<input type="checkbox"/> 1.5" [CLCGS150]
<input type="checkbox"/> 1.75" [CLCGS175]	<input type="checkbox"/> 2" [CLCGS200]	<input type="checkbox"/> 2.25" [CLCGS225]	<input type="checkbox"/> 2.5" [CLCGS250]	<input type="checkbox"/> 2.75" [CLCGS275]
<input type="checkbox"/> 3" [CLCGS300]	<input type="checkbox"/> 3.25" [CLCGS325]	<input type="checkbox"/> 3.5" [CLCGS350]	<input type="checkbox"/> 3.75" [CLCGS375]	<input type="checkbox"/> 4" [CLCGS400]
<input type="checkbox"/> 4.25" [CLCGS425]				



Phone (800) 981-1540 | Fax (715) 254-0996  
sales@kimobility.com | www.kimobility.com



### Rear Wheel Spacing

Adjustable up to .5" outward. Minimum spacing with offset frame is 1.25" with 0° camber, 1" with 2° or 4° camber and .75" with 6° or 8° camber. .75" minimum with 0° camber on standard frame. 0° Camber and Mag wheel combination requires 1" minimum Rear Wheel Spacing. No selection needed with Wheelchair Drive Ready option. .5 and .75" not available with One Arm Drive. See Reference J on page 8.

- 0.5" [CLWS050]  0.75" [CLWS075]  1" [CLWS100]  
 1.25" [CLWS125]  1.5" [CLWS150]  1.75" [CLWS175] \_\_\_\_\_ N/C

### Rear Wheel Camber

The following apply if One Arm Drive is selected: 6° and 8° not available. 4° not available with T-Arms.

- 0° [CLWC00]  2° [CLWC02]  4° [CLWC04]  6° [CLWC06]  
 8° [CLWC08] \_\_\_\_\_ N/C

## Wheel Locks

### Wheel Lock

- Push to Lock [CLWLK002] \_\_\_\_\_ N/C  
 Push to Lock Flush Mount [CLWLK001] \_\_\_\_\_ N/C  
*Not available with Seat Depths less than 11" or Offset Frame.*  
 Pull to Lock [CLWLK003] \_\_\_\_\_ £67  
 Low Profile Scissor Lock [CLWLK012] \_\_\_\_\_ £55  
*Not available with Full Poly tires*  
 Drum Brake [CLWLK015] \_\_\_\_\_ £532  
*Available only with 20", 22" and 24" MAXX Spoke wheels. Not available with Fold Down Push Handles or Ergo and Single Stroller Handles without integrated push handles. Axle is Quick Release.*  
 Dual - Drum Brake with Push to Lock [CLWLK016] \_\_\_\_\_ £653  
*Available only with 20", 22" and 24" MAXX Spoke wheels. Not available with Fold Down Push Handles or Ergo and Single Stroller Handles without integrated push handles. Axle is Quick Release.*  
 Dual - Drum Brake with Pull to Lock [CLWLK017] \_\_\_\_\_ £653  
*Available only with 20", 22" and 24" MAXX Spoke wheels. Not available with Fold Down Push Handles or Ergo and Single Stroller Handles without integrated push handles. Axle is Quick Release.*  
 Omit [CLWLK008] \_\_\_\_\_ N/C

### Wheel Lock Options

- Extension Handles [CLWLK004] \_\_\_\_\_ £49  
*Available only with Push to Lock or Pull to Lock Wheel Locks.*  
 Grade Aids [CLWLK009] \_\_\_\_\_ £145  
*Available only with Push to Lock Wheel Locks and Pneumatic or Pneumatic w/ Airless Insert tires.*

## Armrests

Armrest Type	Length	Price
Height Adjustable T-Arm Tall (11.5"-15") <sup>1</sup>	Desk <input type="checkbox"/> [CLARM039]	£266
	Full <input type="checkbox"/> [CLARM040]	
Height Adjustable T-Arm (8.5"-13.5") <sup>1</sup>	Desk <input type="checkbox"/> [CLARM003]	£266
	Full <input type="checkbox"/> [CLARM004]	
Height Adjustable T-Arm Low (6.5"-10.5") <sup>2</sup>	Desk <input type="checkbox"/> [CLARM022]	£266
	Full <input type="checkbox"/> [CLARM023]	
Angle Adjustable Locking Extendable Flip Up <sup>3</sup>	Desk <input type="checkbox"/> [CLARM010]	£266
	Full <input type="checkbox"/> [CLARM011]	

Armrest Type	Price
Height Adjustable Pediatric Desk (6.5" - 10") <sup>4</sup> <input type="checkbox"/> [CLARM014]	£242
Tubular Flip Up <sup>5</sup> <input type="checkbox"/> [CLARM015]	N/C
Swing Away (7"-9") <sup>6</sup> <input type="checkbox"/> [CLARM001]	£194
Tall Swing Away (9.25" - 11.25") <sup>7</sup> <input type="checkbox"/> [CLARM021]	£194
Omit Armrests <input type="checkbox"/> [CLARM007]	N/C

### Arm Pads

- Not available with Tubular Flip Up or Swing Away Armrests.*  
 Standard Arm Pad [CLARM026] \_\_\_\_\_ N/C  
 Waterfall Arm Pad [CLARM020] \_\_\_\_\_ £30  
*Not available with Angle Adjustable Locking Extendable Flip Up Armrest.*  
 Foam Grip [CLARM025] \_\_\_\_\_ N/C  
*Available only with Angle Adjustable Locking Extendable Flip Up Armrest.*

<sup>1</sup> Not available with Seat Depths less than 13". 16" minimum Seat Depth with Offset Frame. 1.25" minimum Rear Wheel Spacing.  
<sup>2</sup> Not available with Seat Depths less than 12". 14" minimum Seat Depth with Offset Frame. 1.25" minimum Rear Wheel Spacing. If requested configuration is unavailable, Standard Height T-Arm will be used.  
<sup>3</sup> Requires Fixed Height Backrest. Not available with backrest heights less than 12"  
<sup>4</sup> Seat Depth plus Sling Position must be at least 10". Seat Depth plus Sling Position must be at least 12" with Offset Frame 1.25" minimum Rear Wheel Spacing.  
<sup>5</sup> Requires Fixed Height Backrest. Not available with Arm Pads, Back Heights less than 13" or Back Heights less than 14" with Offset.  
<sup>6</sup> Not available with Arm Pads or Outward Offset Back Posts. If selection is not available with rear wheel and rear seat height configuration, then Tall Swing Away armrest will be used.  
<sup>7</sup> Not available with Arm Pads or Outward Offset Back Posts

## Side Guards

### Direct Mount Side Guards

*Not available with T-Arms or Height Adjustable Pediatric Desk Armrests.*

- Composite Side Guards - Adult - Direct Mount Receiver [CLSDG002] £140  
*Seat Depth plus Sling Position must be at least 12".*
- Composite Side Guards - Pediatric - Direct Mount Receiver [CLSDG001] £140  
*Seat Depth plus Sling Position must be at least 10".*

### Clamp-On Mount Side Guards

*10" minimum Seat Depth. Not available with T-Arms or Height Adjustable Pediatric Desk Armrests.*

- Aluminum Adjustable Fender w/Foam Pad - Clamp-On Receiver - Black [CLSDG017] £296
- Aluminum Adjustable Fender w/Foam Pad - Clamp-On Receiver [CLSDG018] £357
- Carbon Fiber Adjustable Fender - Clamp-On Receiver [CLSDG016] £393

## Accessories

### 5th Wheel

*Rotating removable rear caster.*

- Standard 5th Wheel [CLATP002] £206
- Dynamic 5th Wheel [CLATP004] £206
- Soft Elastomer [CLELA001]  Firm Elastomer [CLELA002] N/C

*Both elastomers are included; the selected elastomer will be installed.*

### Anti - Tips

- Rear Anti-Tips [CLATP001] £91
- User Activated - Pair [CLATP012] £320
- User Activated - Left [CLATP010] £164
- User Activated - Right [CLATP011] £164
- Omit [CLATP000] N/C

### Pelvic Positioning Belts

- 1" Auto Buckle Pelvic Positioning Belt [CLPOB004] £55
- 1" Padded Auto Buckle Pelvic Positioning Belt [CLPOB005] £151
- 1 1/2" Auto Buckle Pelvic Positioning Belt [CLPOB001] £55
- 1 1/2" Padded Auto Buckle Pelvic Positioning Belt [CLPOB002] £151
- Small Flex-Mount Positioning Belt (16-24") [CLPOB007] £188
- Medium Flex-Mount Positioning Belt (19-29") [CLPOB008] £188
- Large Flex-Mount Positioning Belt (25-37") [CLPOB009] £188

### Belt Mounting Kit

- Ki Mobility Belt Mounting Clamp [CLACC023] £37

### Other Accessories

- Tool Kit [CLACC005] £20
- Removable Underseat Pouch [CLACC015] £30
- Pediatric Ki Mobility Backpack [CLACC026] £100  
*Best fit on chairs more than 8" wide.*
- Ki Mobility Backpack [CLACC009] £100  
*Best fit on chairs more than 10" wide.*
- Luggage Carrier [CLACC025] £73
- Cane and Crutch Holder [CLACC007] £91
- Canopy with Hardware [CLACC042] £272

*Only available with Height Adjustable Integrated Handle*

### Calf Strap

*Not available with 8" or 9" wide chairs.*

- Velcro Adjustable [CLACC002] N/C
- Padded Velcro Adjustable [CLACC003] £67
- Padded Airmesh Calf Strap [CLACC010] £103

### Spoke Guards

- Clear Spoke Guards [CLSPG001] £151  
*Not available with Mag wheel.*
- Black Spoke Guards [CLSPG002] £151  
*Not available with 18" or 20" wheel sizes or Mag wheel.*
- Blue Monster Spoke Guards [CLSPG003] £182  
*Available only with 20" and 22" wheel sizes. Not available with Mag wheel.*
- Robo Fun Spoke Guards [CLSPG004] £182  
*Available only with 20" and 22" wheel sizes. Not available with Mag wheel.*
- Tutu Cute Spoke Guards [CLSPG005] £182  
*Available only with 20" and 22" wheel sizes. Not available with Mag wheel.*
- Tuxedo Time Spoke Guards [CLSPG008] £182  
*Available only with 20" and 22" wheel sizes. Not available with Mag wheel.*

This form must be opened in Adobe Acrobat. The Submit Form button will not work from most browser windows.



Phone (800) 981-1540 | Fax (715) 254-0996  
 sales@kimobility.com | www.kimobility.com



## Color

### Color

*Frame/Accent: Select desired frame and accent colors. If no accent color is selected from package 1, frame color will be used.*

Options	Price	Colors																							
		Gloss														Matte								Metallic	
		Black	Yellow	Light Pink	Dark Pink	Glacier Blue	Electric Green	Radiant Orange	Opalescent Violet	Purple Plum	Rich Teal	Metallic Orange	Granny Smith	Candy Red	Candy Blue	Candy Purple	Tactical Green	Dry Earth Tan	White	Shadow Black	Bright Red	Royal Blue	Charcoal Gray	Iridescent Navy	Iridescent Burgundy
Frame	N/C	<input type="checkbox"/>	<input type="checkbox"/>	<input type="checkbox"/>	<input type="checkbox"/>	<input type="checkbox"/>	<input type="checkbox"/>	<input type="checkbox"/>	<input type="checkbox"/>	<input type="checkbox"/>	<input type="checkbox"/>	<input type="checkbox"/>	<input type="checkbox"/>	<input type="checkbox"/>	<input type="checkbox"/>	<input type="checkbox"/>	<input type="checkbox"/>	<input type="checkbox"/>	<input type="checkbox"/>	<input type="checkbox"/>	<input type="checkbox"/>	<input type="checkbox"/>	<input type="checkbox"/>	<input type="checkbox"/>	<input type="checkbox"/>
Color Accent <sup>1</sup> Package 1	N/C	<input type="checkbox"/>	<input type="checkbox"/>	<input type="checkbox"/>	<input type="checkbox"/>	<input type="checkbox"/>	<input type="checkbox"/>	<input type="checkbox"/>	<input type="checkbox"/>	<input type="checkbox"/>	<input type="checkbox"/>	<input type="checkbox"/>	<input type="checkbox"/>	<input type="checkbox"/>	<input type="checkbox"/>	<input type="checkbox"/>	<input type="checkbox"/>	<input type="checkbox"/>	<input type="checkbox"/>	<input type="checkbox"/>	<input type="checkbox"/>	<input type="checkbox"/>	<input type="checkbox"/>	<input type="checkbox"/>	<input type="checkbox"/>
Color Accent <sup>2,3</sup> Package 2	N/C	<input type="checkbox"/>	<input type="checkbox"/>	<input type="checkbox"/>	<input type="checkbox"/>	<input type="checkbox"/>	<input type="checkbox"/>	<input type="checkbox"/>	<input type="checkbox"/>	<input type="checkbox"/>	<input type="checkbox"/>	<input type="checkbox"/>	<input type="checkbox"/>	<input type="checkbox"/>	<input type="checkbox"/>	<input type="checkbox"/>	<input type="checkbox"/>	<input type="checkbox"/>	<input type="checkbox"/>	<input type="checkbox"/>	<input type="checkbox"/>	<input type="checkbox"/>	<input type="checkbox"/>	<input type="checkbox"/>	<input type="checkbox"/>
Maxx Mag Color		<input type="checkbox"/>	<input type="checkbox"/>	<input type="checkbox"/>	<input type="checkbox"/>	<input type="checkbox"/>	<input type="checkbox"/>	<input type="checkbox"/>	<input type="checkbox"/>	<input type="checkbox"/>	<input type="checkbox"/>	<input type="checkbox"/>	<input type="checkbox"/>	<input type="checkbox"/>	<input type="checkbox"/>	<input type="checkbox"/>	<input type="checkbox"/>	<input type="checkbox"/>	<input type="checkbox"/>	<input type="checkbox"/>	<input type="checkbox"/>	<input type="checkbox"/>	<input type="checkbox"/>	<input type="checkbox"/>	<input type="checkbox"/>

- <sup>1</sup> Includes backrest rigidizer bar and front caster wings.
- <sup>2</sup> Includes backplates, towers, tower clamps, and camber tube.
- <sup>3</sup> Limited Time Promotional Pricing

### Color Anodizing Options

*Select desired color. If no selection is made, black will be used. Not available if Color Accent Package 2 is selected.*

	Color	Black <sup>1</sup>	Blue	Bright Green	Gold	Orange	Pewter	Pink	Purple	Red
	Retail	N/C	£35	£35	£35	£35	£35	£35	£35	£35
Option	Back Plates <sup>2</sup>	<input type="checkbox"/>	<input type="checkbox"/>	<input type="checkbox"/>	<input type="checkbox"/>	<input type="checkbox"/>	<input type="checkbox"/>	<input type="checkbox"/>	<input type="checkbox"/>	<input type="checkbox"/>
	Camber Tube	<input type="checkbox"/>	<input type="checkbox"/>	<input type="checkbox"/>	<input type="checkbox"/>	<input type="checkbox"/>	<input type="checkbox"/>	<input type="checkbox"/>	<input type="checkbox"/>	<input type="checkbox"/>
	Towers	<input type="checkbox"/>	<input type="checkbox"/>	<input type="checkbox"/>	<input type="checkbox"/>	<input type="checkbox"/>	<input type="checkbox"/>	<input type="checkbox"/>	<input type="checkbox"/>	<input type="checkbox"/>
	Side Guard Receiver	<input type="checkbox"/>	<input type="checkbox"/>	<input type="checkbox"/>	<input type="checkbox"/>	<input type="checkbox"/>	<input type="checkbox"/>	<input type="checkbox"/>	<input type="checkbox"/>	<input type="checkbox"/>
	Caster Fork <sup>3</sup>	<input type="checkbox"/>	<input type="checkbox"/>	<input type="checkbox"/>	<input type="checkbox"/>	<input type="checkbox"/>	<input type="checkbox"/>	<input type="checkbox"/>	<input type="checkbox"/>	<input type="checkbox"/>
	CG Clamp	<input type="checkbox"/>	<input type="checkbox"/>	<input type="checkbox"/>	<input type="checkbox"/>	<input type="checkbox"/>	<input type="checkbox"/>	<input type="checkbox"/>	<input type="checkbox"/>	<input type="checkbox"/>
	5th Wheel Split Clamp	<input type="checkbox"/>	<input type="checkbox"/>	<input type="checkbox"/>	<input type="checkbox"/>	<input type="checkbox"/>	<input type="checkbox"/>	<input type="checkbox"/>	<input type="checkbox"/>	<input type="checkbox"/>

- <sup>1</sup> Black is no charge
- <sup>2</sup> Not available with Transit Option
- <sup>3</sup> Available only with Standard or Single Sided

## References

### A. Seat Width See Diagram 1

Measured from outside of frame tube on one side to outside of frame tube on other side.

### B. Seat Depth See Diagram 3

Measured from front of back posts to front edge of seat sling. Seat sling starts at beginning of bend at front of frame.

### C. Front Frame Bend See Diagram 3

Angle between front seat tube and ground.

### D. Sling Position See Diagram 2

With 0 Sling Position, sling is approximately 4" from the front tube. The 1" and 2" Sling Positions extend the frame in front of the sling by that amount. -1 pushes the seat 1" farther forward. See Charts 1 and 2 for more detail.

### E. Front Seat Height See Diagram 1

Measured from floor to top of seat tube at front of seat sling.

### F. Footrest Width See Diagram 1

Measured from inside of front tube to inside of front tube on other side. Footrest width is listed below for each seat width. See Chart 1 for more detail.

### G. Seat to Footrest Length See Diagram 3

Measured from front edge of seat sling to top of rear of footrest. Footrest length of at least 2.5" shorter than front seat height recommended.

### H. Rear Seat Height See Diagram 3

Measured from floor to top of seat tube at front of back post. Rear seat height is custom to needs.

### I. Center of Gravity Preset See Diagram 3

Measured from front of back post to center of rear axle. 0" indicates axle will be directly under back post.

### J. Rear Wheel Spacing See Diagram 1

Measured from outside of seat back to inside of rear tire. Adjustable up to .5" outward.

Chart 1

Seat Width	F. Footrest Width	
	Straight Frame (Diagram 1)	Offset Frame
8"	5.75"	9"
9"	6.75"	10"
10"	7.75"	11"
11"	8.75"	12"
12"	9.75"	13"
13"	10.75"	14"
14"	11.75"	15"
15"	12.75"	16"
16"	13.75"	17"

Diagram 1

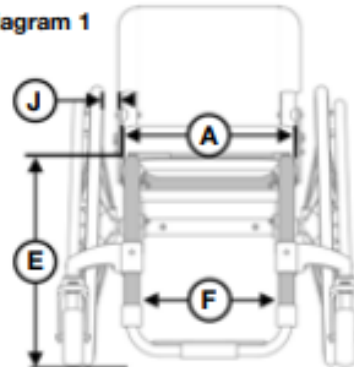


Diagram 2

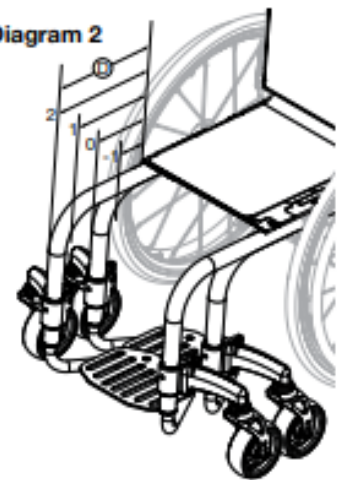


Diagram 3

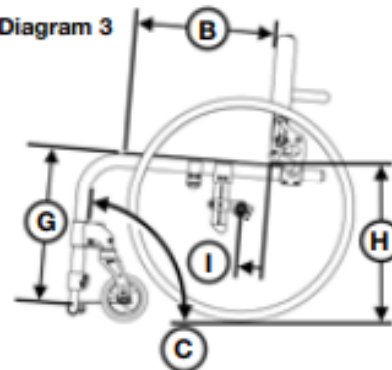


Chart 2

Sling Position / Adjustable Depth / Seat Depth Compatibility									
Sling Position	-1", 0"			1"			2"		
	1"	2"	3"	1"	2"	3"	1"	2"	3"
Seat Depth	14"								X
	15"					X		X	X
	16"			X		X	X	X	X

"X" indicates Sling Position, Adjustable Depth and Seat Depth combination is not available.  
-1" Sling Position, 0" Adjustable Depth and 8" - 13" Seat Depths have no restrictions.



This form must be opened in Adobe Acrobat. The Submit Form button will not work from most browser windows.



Phone (800) 981-1540 | Fax (715) 254-0996  
 sales@kimobility.com | www.kimobility.com



## Axiom for Kids P - Positioning Cushion

*Weight Capacity 165 lbs / 75 kg. Cushion includes 2 outer covers of the selected color. Cover Color Code Black=BLK, Blue=BLU, Purple=PUR.*

Width	8"	9"	10"	11"	12"	13"	14"	15"	16"	
Retail	£300									
Depth	8"	<input type="checkbox"/> PXP0808BLK	<input type="checkbox"/> PXP0908BLK	<input type="checkbox"/> PXP1008BLK						
		<input type="checkbox"/> PXP0808BLU	<input type="checkbox"/> PXP0908BLU	<input type="checkbox"/> PXP1008BLU						
		<input type="checkbox"/> PXP0808PUR	<input type="checkbox"/> PXP0908PUR	<input type="checkbox"/> PXP1008PUR						
	9"	<input type="checkbox"/> PXP0809BLK	<input type="checkbox"/> PXP0909BLK	<input type="checkbox"/> PXP1009BLK	<input type="checkbox"/> PXP1109BLK					
		<input type="checkbox"/> PXP0809BLU	<input type="checkbox"/> PXP0909BLU	<input type="checkbox"/> PXP1009BLU	<input type="checkbox"/> PXP1109BLU					
		<input type="checkbox"/> PXP0809PUR	<input type="checkbox"/> PXP0909PUR	<input type="checkbox"/> PXP1009PUR	<input type="checkbox"/> PXP1109PUR					
	10"	<input type="checkbox"/> PXP0810BLK	<input type="checkbox"/> PXP0910BLK	<input type="checkbox"/> PXP1010BLK	<input type="checkbox"/> PXP1110BLK	<input type="checkbox"/> PXP1210BLK	<input type="checkbox"/> PXP1310BLK			
		<input type="checkbox"/> PXP0810BLU	<input type="checkbox"/> PXP0910BLU	<input type="checkbox"/> PXP1010BLU	<input type="checkbox"/> PXP1110BLU	<input type="checkbox"/> PXP1210BLU	<input type="checkbox"/> PXP1310BLU			
		<input type="checkbox"/> PXP0810PUR	<input type="checkbox"/> PXP0910PUR	<input type="checkbox"/> PXP1010PUR	<input type="checkbox"/> PXP1110PUR	<input type="checkbox"/> PXP1210PUR	<input type="checkbox"/> PXP1310PUR			
	11"			<input type="checkbox"/> PXP1011BLK	<input type="checkbox"/> PXP1111BLK	<input type="checkbox"/> PXP1211BLK	<input type="checkbox"/> PXP1311BLK	<input type="checkbox"/> PXP1411BLK		
				<input type="checkbox"/> PXP1011BLU	<input type="checkbox"/> PXP1111BLU	<input type="checkbox"/> PXP1211BLU	<input type="checkbox"/> PXP1311BLU	<input type="checkbox"/> PXP1411BLU		
				<input type="checkbox"/> PXP1011PUR	<input type="checkbox"/> PXP1111PUR	<input type="checkbox"/> PXP1211PUR	<input type="checkbox"/> PXP1311PUR	<input type="checkbox"/> PXP1411PUR		
	12"			<input type="checkbox"/> PXP1012BLK	<input type="checkbox"/> PXP1112BLK	<input type="checkbox"/> PXP1212BLK	<input type="checkbox"/> PXP1312BLK	<input type="checkbox"/> PXP1412BLK		
				<input type="checkbox"/> PXP1012BLU	<input type="checkbox"/> PXP1112BLU	<input type="checkbox"/> PXP1212BLU	<input type="checkbox"/> PXP1312BLU	<input type="checkbox"/> PXP1412BLU		
				<input type="checkbox"/> PXP1012PUR	<input type="checkbox"/> PXP1112PUR	<input type="checkbox"/> PXP1212PUR	<input type="checkbox"/> PXP1312PUR	<input type="checkbox"/> PXP1412PUR		
	13"			<input type="checkbox"/> PXP1013BLK	<input type="checkbox"/> PXP1113BLK	<input type="checkbox"/> PXP1213BLK	<input type="checkbox"/> PXP1313BLK	<input type="checkbox"/> PXP1413BLK	<input type="checkbox"/> PXP1513BLK	
				<input type="checkbox"/> PXP1013BLU	<input type="checkbox"/> PXP1113BLU	<input type="checkbox"/> PXP1213BLU	<input type="checkbox"/> PXP1313BLU	<input type="checkbox"/> PXP1413BLU	<input type="checkbox"/> PXP1513BLU	
				<input type="checkbox"/> PXP1013PUR	<input type="checkbox"/> PXP1113PUR	<input type="checkbox"/> PXP1213PUR	<input type="checkbox"/> PXP1313PUR	<input type="checkbox"/> PXP1413PUR	<input type="checkbox"/> PXP1513PUR	
	14"			<input type="checkbox"/> PXP1014BLK	<input type="checkbox"/> PXP1114BLK	<input type="checkbox"/> PXP1214BLK	<input type="checkbox"/> PXP1314BLK	<input type="checkbox"/> PXP1414BLK	<input type="checkbox"/> PXP1514BLK	<input type="checkbox"/> PXP1614BLK
				<input type="checkbox"/> PXP1014BLU	<input type="checkbox"/> PXP1114BLU	<input type="checkbox"/> PXP1214BLU	<input type="checkbox"/> PXP1314BLU	<input type="checkbox"/> PXP1414BLU	<input type="checkbox"/> PXP1514BLU	<input type="checkbox"/> PXP1614BLU
				<input type="checkbox"/> PXP1014PUR	<input type="checkbox"/> PXP1114PUR	<input type="checkbox"/> PXP1214PUR	<input type="checkbox"/> PXP1314PUR	<input type="checkbox"/> PXP1414PUR	<input type="checkbox"/> PXP1514PUR	<input type="checkbox"/> PXP1614PUR
	15"					<input type="checkbox"/> PXP1215BLK	<input type="checkbox"/> PXP1315BLK	<input type="checkbox"/> PXP1415BLK	<input type="checkbox"/> PXP1515BLK	<input type="checkbox"/> PXP1615BLK
						<input type="checkbox"/> PXP1215BLU	<input type="checkbox"/> PXP1315BLU	<input type="checkbox"/> PXP1415BLU	<input type="checkbox"/> PXP1515BLU	<input type="checkbox"/> PXP1615BLU
						<input type="checkbox"/> PXP1215PUR	<input type="checkbox"/> PXP1315PUR	<input type="checkbox"/> PXP1415PUR	<input type="checkbox"/> PXP1515PUR	<input type="checkbox"/> PXP1615PUR
16"					<input type="checkbox"/> PXP1216BLK	<input type="checkbox"/> PXP1316BLK	<input type="checkbox"/> PXP1416BLK	<input type="checkbox"/> PXP1516BLK	<input type="checkbox"/> PXP1616BLK	
					<input type="checkbox"/> PXP1216BLU	<input type="checkbox"/> PXP1316BLU	<input type="checkbox"/> PXP1416BLU	<input type="checkbox"/> PXP1516BLU	<input type="checkbox"/> PXP1616BLU	
					<input type="checkbox"/> PXP1216PUR	<input type="checkbox"/> PXP1316PUR	<input type="checkbox"/> PXP1416PUR	<input type="checkbox"/> PXP1516PUR	<input type="checkbox"/> PXP1616PUR	
17"						<input type="checkbox"/> PXP1317BLK	<input type="checkbox"/> PXP1417BLK	<input type="checkbox"/> PXP1517BLK	<input type="checkbox"/> PXP1617BLK	
						<input type="checkbox"/> PXP1317BLU	<input type="checkbox"/> PXP1417BLU	<input type="checkbox"/> PXP1517BLU	<input type="checkbox"/> PXP1617BLU	
						<input type="checkbox"/> PXP1317PUR	<input type="checkbox"/> PXP1417PUR	<input type="checkbox"/> PXP1517PUR	<input type="checkbox"/> PXP1617PUR	
18"						<input type="checkbox"/> PXP1318BLK	<input type="checkbox"/> PXP1418BLK	<input type="checkbox"/> PXP1518BLK	<input type="checkbox"/> PXP1618BLK	
						<input type="checkbox"/> PXP1318BLU	<input type="checkbox"/> PXP1418BLU	<input type="checkbox"/> PXP1518BLU	<input type="checkbox"/> PXP1618BLU	
						<input type="checkbox"/> PXP1318PUR	<input type="checkbox"/> PXP1418PUR	<input type="checkbox"/> PXP1518PUR	<input type="checkbox"/> PXP1618PUR	

This form must be opened in Adobe Acrobat. The Submit Form button will not work from most browser windows.



Phone (800) 981-1540 | Fax (715) 254-0996  
 sales@kimobility.com | www.kimobility.com



## Axiom for Kids SP - Skin Protection and Positioning Cushion

Weight Capacity 165 lbs. / 75 kg. Cushion includes 2 outer covers of the selected color. Cover Color Code Black=BLK, Blue=BLU, Purple=PUR.

Width	8"	9"	10"	11"	12"	13"	14"	15"	16"
Retail	£425								
8"	<input type="checkbox"/> PXSP0808BLK	<input type="checkbox"/> PXSP0908BLK	<input type="checkbox"/> PXSP1008BLK						
	<input type="checkbox"/> PXSP0808BLU	<input type="checkbox"/> PXSP0908BLU	<input type="checkbox"/> PXSP1008BLU						
	<input type="checkbox"/> PXSP0808PUR	<input type="checkbox"/> PXSP0908PUR	<input type="checkbox"/> PXSP1008PUR						
9"	<input type="checkbox"/> PXSP0809BLK	<input type="checkbox"/> PXSP0909BLK	<input type="checkbox"/> PXSP1009BLK	<input type="checkbox"/> PXSP1109BLK					
	<input type="checkbox"/> PXSP0809BLU	<input type="checkbox"/> PXSP0909BLU	<input type="checkbox"/> PXSP1009BLU	<input type="checkbox"/> PXSP1109BLU					
	<input type="checkbox"/> PXSP0809PUR	<input type="checkbox"/> PXSP0909PUR	<input type="checkbox"/> PXSP1009PUR	<input type="checkbox"/> PXSP1109PUR					
10"	<input type="checkbox"/> PXSP0810BLK	<input type="checkbox"/> PXSP0910BLK	<input type="checkbox"/> PXSP1010BLK	<input type="checkbox"/> PXSP1110BLK	<input type="checkbox"/> PXSP1210BLK	<input type="checkbox"/> PXSP1310BLK			
	<input type="checkbox"/> PXSP0810BLU	<input type="checkbox"/> PXSP0910BLU	<input type="checkbox"/> PXSP1010BLU	<input type="checkbox"/> PXSP1110BLU	<input type="checkbox"/> PXSP1210BLU	<input type="checkbox"/> PXSP1310BLU			
	<input type="checkbox"/> PXSP0810PUR	<input type="checkbox"/> PXSP0910PUR	<input type="checkbox"/> PXSP1010PUR	<input type="checkbox"/> PXSP1110PUR	<input type="checkbox"/> PXSP1210PUR	<input type="checkbox"/> PXSP1310PUR			
11"			<input type="checkbox"/> PXSP1011BLK	<input type="checkbox"/> PXSP1111BLK	<input type="checkbox"/> PXSP1211BLK	<input type="checkbox"/> PXSP1311BLK	<input type="checkbox"/> PXSP1411BLK		
			<input type="checkbox"/> PXSP1011BLU	<input type="checkbox"/> PXSP1111BLU	<input type="checkbox"/> PXSP1211BLU	<input type="checkbox"/> PXSP1311BLU	<input type="checkbox"/> PXSP1411BLU		
			<input type="checkbox"/> PXSP1011PUR	<input type="checkbox"/> PXSP1111PUR	<input type="checkbox"/> PXSP1211PUR	<input type="checkbox"/> PXSP1311PUR	<input type="checkbox"/> PXSP1411PUR		
12"			<input type="checkbox"/> PXSP1012BLK	<input type="checkbox"/> PXSP1112BLK	<input type="checkbox"/> PXSP1212BLK	<input type="checkbox"/> PXSP1312BLK	<input type="checkbox"/> PXSP1412BLK		
			<input type="checkbox"/> PXSP1012BLU	<input type="checkbox"/> PXSP1112BLU	<input type="checkbox"/> PXSP1212BLU	<input type="checkbox"/> PXSP1312BLU	<input type="checkbox"/> PXSP1412BLU		
			<input type="checkbox"/> PXSP1012PUR	<input type="checkbox"/> PXSP1112PUR	<input type="checkbox"/> PXSP1212PUR	<input type="checkbox"/> PXSP1312PUR	<input type="checkbox"/> PXSP1412PUR		
13"			<input type="checkbox"/> PXSP1013BLK	<input type="checkbox"/> PXSP1113BLK	<input type="checkbox"/> PXSP1213BLK	<input type="checkbox"/> PXSP1313BLK	<input type="checkbox"/> PXSP1413BLK	<input type="checkbox"/> PXSP1513BLK	
			<input type="checkbox"/> PXSP1013BLU	<input type="checkbox"/> PXSP1113BLU	<input type="checkbox"/> PXSP1213BLU	<input type="checkbox"/> PXSP1313BLU	<input type="checkbox"/> PXSP1413BLU	<input type="checkbox"/> PXSP1513BLU	
			<input type="checkbox"/> PXSP1013PUR	<input type="checkbox"/> PXSP1113PUR	<input type="checkbox"/> PXSP1213PUR	<input type="checkbox"/> PXSP1313PUR	<input type="checkbox"/> PXSP1413PUR	<input type="checkbox"/> PXSP1513PUR	
14"			<input type="checkbox"/> PXSP1014BLK	<input type="checkbox"/> PXSP1114BLK	<input type="checkbox"/> PXSP1214BLK	<input type="checkbox"/> PXSP1314BLK	<input type="checkbox"/> PXSP1414BLK	<input type="checkbox"/> PXSP1514BLK	<input type="checkbox"/> PXSP1614BLK
			<input type="checkbox"/> PXSP1014BLU	<input type="checkbox"/> PXSP1114BLU	<input type="checkbox"/> PXSP1214BLU	<input type="checkbox"/> PXSP1314BLU	<input type="checkbox"/> PXSP1414BLU	<input type="checkbox"/> PXSP1514BLU	<input type="checkbox"/> PXSP1614BLU
			<input type="checkbox"/> PXSP1014PUR	<input type="checkbox"/> PXSP1114PUR	<input type="checkbox"/> PXSP1214PUR	<input type="checkbox"/> PXSP1314PUR	<input type="checkbox"/> PXSP1414PUR	<input type="checkbox"/> PXSP1514PUR	<input type="checkbox"/> PXSP1614PUR
15"					<input type="checkbox"/> PXSP1215BLK	<input type="checkbox"/> PXSP1315BLK	<input type="checkbox"/> PXSP1415BLK	<input type="checkbox"/> PXSP1515BLK	<input type="checkbox"/> PXSP1615BLK
					<input type="checkbox"/> PXSP1215BLU	<input type="checkbox"/> PXSP1315BLU	<input type="checkbox"/> PXSP1415BLU	<input type="checkbox"/> PXSP1515BLU	<input type="checkbox"/> PXSP1615BLU
					<input type="checkbox"/> PXSP1215PUR	<input type="checkbox"/> PXSP1315PUR	<input type="checkbox"/> PXSP1415PUR	<input type="checkbox"/> PXSP1515PUR	<input type="checkbox"/> PXSP1615PUR
16"					<input type="checkbox"/> PXSP1216BLK	<input type="checkbox"/> PXSP1316BLK	<input type="checkbox"/> PXSP1416BLK	<input type="checkbox"/> PXSP1516BLK	<input type="checkbox"/> PXSP1616BLK
					<input type="checkbox"/> PXSP1216BLU	<input type="checkbox"/> PXSP1316BLU	<input type="checkbox"/> PXSP1416BLU	<input type="checkbox"/> PXSP1516BLU	<input type="checkbox"/> PXSP1616BLU
					<input type="checkbox"/> PXSP1216PUR	<input type="checkbox"/> PXSP1316PUR	<input type="checkbox"/> PXSP1416PUR	<input type="checkbox"/> PXSP1516PUR	<input type="checkbox"/> PXSP1616PUR
17"						<input type="checkbox"/> PXSP1317BLK	<input type="checkbox"/> PXSP1417BLK	<input type="checkbox"/> PXSP1517BLK	<input type="checkbox"/> PXSP1617BLK
						<input type="checkbox"/> PXSP1317BLU	<input type="checkbox"/> PXSP1417BLU	<input type="checkbox"/> PXSP1517BLU	<input type="checkbox"/> PXSP1617BLU
						<input type="checkbox"/> PXSP1317PUR	<input type="checkbox"/> PXSP1417PUR	<input type="checkbox"/> PXSP1517PUR	<input type="checkbox"/> PXSP1617PUR
18"						<input type="checkbox"/> PXSP1318BLK	<input type="checkbox"/> PXSP1418BLK	<input type="checkbox"/> PXSP1518BLK	<input type="checkbox"/> PXSP1618BLK
						<input type="checkbox"/> PXSP1318BLU	<input type="checkbox"/> PXSP1418BLU	<input type="checkbox"/> PXSP1518BLU	<input type="checkbox"/> PXSP1618BLU
						<input type="checkbox"/> PXSP1318PUR	<input type="checkbox"/> PXSP1418PUR	<input type="checkbox"/> PXSP1518PUR	<input type="checkbox"/> PXSP1618PUR

### Accessories

- Extra Cover**
- Extra Cover Black £85
  - Extra Cover Blue £85
  - Extra Cover Purple £85

- Solid Seat Insert**
- Solid Seat Insert £85

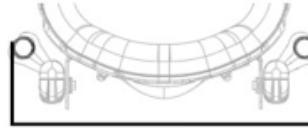
This form must be opened in Adobe Acrobat. The Submit Form button will not work from most browser windows.



Phone (800) 981-1540 | Fax (715) 254-0996  
 sales@kimobility.com | www.kimobility.com

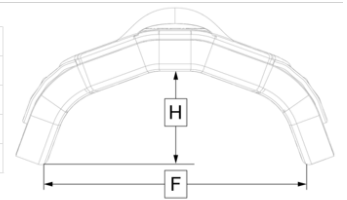


Axiom for Kids Back Width (all models)	Fits back Frame Widths
10" (25.5 cm)	9" - 11" (23 cm - 28 cm)
12" (30.5 cm)	11" - 13" (28 cm - 33 cm)
14" (35.5 cm)	13" - 15" (33 cm - 38 cm)
16" (40.5 cm)	15" - 17" (38 cm - 43 cm)



## Axiom for Kids PL - Posterior Lateral Back

<b>Back Width</b>	10" (25.5 cm)	12" (30.5 cm)	14" (35.5 cm)	16" (40.5 cm)
<b>Fits Back Frame Widths:</b>	9"-11" (23 cm - 28 cm)	11"-13" (28 cm - 33 cm)	13"-15" (33 cm - 38 cm)	15"-17" (38 cm - 43 cm)
<b>Actual Back Width (F):</b>	10" (25.5 cm)	12" (30.5 cm)	14" (35.5 cm)	16" (40.5 cm)
<b>Fits Trunk Widths (F):</b>	10" (25.5 cm)	12" (30.5 cm)	14" (35.5 cm)	16" (40.5 cm)
<b>Contour Depth (H):</b>	3" (7.5 cm)	3" (7.5 cm)	3" (7.5 cm)	3" (7.5 cm)



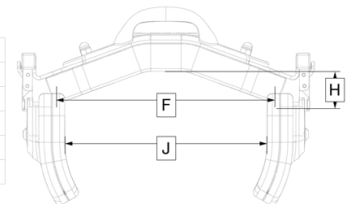
## Back

*Includes Lumbar Pad. Weight capacity 165 lbs. (75 kg). Includes Axiom DEX for Kids Hardware.*

		Width			
		10	12	14	16
Retail		£550			
Height	10	<input type="checkbox"/> PXPL1010			
	12	<input type="checkbox"/> PXPL1012	<input type="checkbox"/> PXPL1212	<input type="checkbox"/> PXPL1412	
	14	<input type="checkbox"/> PXPL1014	<input type="checkbox"/> PXPL1214	<input type="checkbox"/> PXPL1414	<input type="checkbox"/> PXPL1614
	16		<input type="checkbox"/> PXPL1216	<input type="checkbox"/> PXPL1416	<input type="checkbox"/> PXPL1616
	18				<input type="checkbox"/> PXPL1618

## Axiom for Kids AL - Posterior Back for Adjustable Laterals

<b>Back Width</b>	10" (25.5 cm)	12" (30.5 cm)	14" (35.5 cm)	16" (40.5 cm)
<b>Fits Back Frame Widths:</b>	9"-11" (23 cm - 28 cm)	11"-13" (28 cm - 33 cm)	13"-15" (33 cm - 38 cm)	15"-17" (38 cm - 43 cm)
<b>Actual Back Width (F):</b>	8" (20cm)	10" (25.5 cm)	12" (30.5 cm)	14" (35.5 cm)
<b>Component Lateral Width Range (J)*:</b> <i>(*-1" with included spacers)</i>	8" - 11" (20 cm - 28 cm)	10" - 13" (25.5 cm - 33 cm)	12" - 15" (30.5 cm - 38 cm)	14" - 17" (35.5 cm - 43 cm)
<b>Contour Depth (H):</b>	1.25" (3 cm)	1.25" (3 cm)	1.25" (3 cm)	1.25" (3 cm)



This form must be opened in Adobe Acrobat. The Submit Form button will not work from most browser windows.



Phone (800) 981-1540 | Fax (715) 254-0996  
sales@kimobility.com | www.kimobility.com



**Back**

Weight capacity 165 lbs. (75 kg). Includes Axiom DEX for Kids Hardware.

		Width			
		10"	12"	14"	16"
Retail		£550			
Height	10"	<input type="checkbox"/> PXAL1010			
	12"	<input type="checkbox"/> PXAL1012	<input type="checkbox"/> PXAL1212	<input type="checkbox"/> PXAL1412	
	14"	<input type="checkbox"/> PXAL1014	<input type="checkbox"/> PXAL1214	<input type="checkbox"/> PXAL1414	<input type="checkbox"/> PXAL1614
	16"		<input type="checkbox"/> PXAL1216	<input type="checkbox"/> PXAL1416	<input type="checkbox"/> PXAL1616
	18"				<input type="checkbox"/> PXAL1618

**Axiom for Kids - Adjustable Laterals Trunk Supports (for PXAL Back)**

Not available for Posterior Back for Contoured Adjustable Laterals (PXALCL)

Description	Item Code	Retail
<input type="checkbox"/> 3 x 4 Lateral Trunk Pads, Flat with Fixed Mounting Hardware (Pair)	PLF3x4PP	£250
<input type="checkbox"/> 4 x 5 Lateral Trunk Pads, Flat with Fixed Mounting Hardware (Pair)	PLF4x5PP	£250
<input type="checkbox"/> 3 x 4 Lateral Trunk Pads, Flat with Swing Away Mounting Hardware (Pair)	PLTAS3x4PP	£500
<input type="checkbox"/> 4 x 5 Lateral Trunk Pads, Flat with Swing Away Mounting Hardware (Pair)	PLTAS4x5PP	£500
<input type="checkbox"/> 3 x 4 Lateral Trunk Pads, Curved with Swing Away Mounting Hardware (Pair)	PLTASC3x4PP	£500
<input type="checkbox"/> 4 x 5 Lateral Trunk Pads, Curved with Swing Away Mounting Hardware (Pair)	PLTASC4x5PP	£500

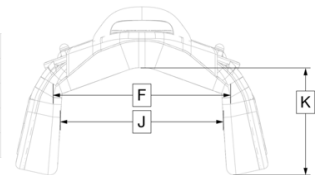
**Axiom for Kids - Adjustable Lateral Pelvic Supports (for PXAL Back)**

Not available for Posterior Back for Contoured Adjustable Laterals (PXALCL)

Description	Item Code	Retail
<input type="checkbox"/> 3 x 4 Lateral Pelvic Pads with Fixed Mounting Hardware (Pair)	PLPF3x4PP	£250
<input type="checkbox"/> 4 x 5 Lateral Pelvic Pads with Fixed Mounting Hardware (Pair)	PLPF4x5PP	£250
<input type="checkbox"/> 3 x 4 Lateral Pelvic Pads with Swing Away Mounting Hardware (Pair)	PLASP3x4PP	£500
<input type="checkbox"/> 4 x 5 Lateral Pelvic Pads with Swing Away Mounting Hardware (Pair)	PLASP4x5PP	£500

**Axiom for Kids ALCL - Posterior Back for Contoured Adjustable Laterals**

<b>Back Width</b>	10" (25.5 cm)	12" (30.5 cm)	14" (35.5 cm)	16" (40.5 cm)
<b>Fits Back Frame Widths:</b>	9"-11" (23 cm - 28 cm)	11"-13" (28 cm - 33 cm)	13"-15" (33 cm - 38 cm)	15"-17" (38 cm - 43 cm)
<b>Actual Back Width (F):</b>	8" - 11" (20 cm - 28 cm)	10" - 13" (25.5 cm - 33 cm)	12" - 15" (30.5 cm - 38 cm)	14" - 17" (35.5 cm - 43 cm)
<b>Contoured Lateral Width Range (J):</b>	8" - 11" (20 cm - 28 cm)	10" - 13" (25.5 cm - 33 cm)	12" - 15" (30.5 cm - 38 cm)	14" - 17" (35.5 cm - 43 cm)
<b>Contour Depth (K):</b>	5" - 5.5" (12.5 cm - 14 cm)	5" - 5.5" (12.5 cm - 14 cm)	5" - 5.5" (12.5 cm - 14 cm)	5" - 5.5" (12.5 cm - 14 cm)



**Back**

Requires Contoured Adjustable Lateral Trunk Support selection below. Weight capacity 165 lbs. (75 kg). Includes Axiom DEX for Kids Hardware.

		Width			
		10"	12"	14"	16"
Retail		£550			
Height	10"	<input type="checkbox"/> PXAL1010CL			
	12"	<input type="checkbox"/> PXAL1012CL	<input type="checkbox"/> PXAL1212CL	<input type="checkbox"/> PXAL1412CL	
	14"	<input type="checkbox"/> PXAL1014CL	<input type="checkbox"/> PXAL1214CL	<input type="checkbox"/> PXAL1414CL	<input type="checkbox"/> PXAL1614CL
	16"		<input type="checkbox"/> PXAL1216CL	<input type="checkbox"/> PXAL1416CL	<input type="checkbox"/> PXAL1616CL
	18"				<input type="checkbox"/> PXAL1618CL

**Axiom for Kids - Contoured Adjustable Lateral Trunk Supports (for PXALCL Back)**

Description	Item Code	Retail
<input type="checkbox"/> 3" Contoured Lateral Wings with Fixed Mounting Hardware (Pair)	PCL3	£250
<input type="checkbox"/> 4" Contoured Lateral Wings with Fixed Mounting Hardware (Pair)	PCL4	£250

4" Contoured Lateral Wings are not available on 10" or 12" Back Heights

## Accessories

Axiom for Kids Back Accessories & Modifications	
<input type="checkbox"/> Lumbar Pad	£40
<input type="checkbox"/> Privacy Flap	£40
<i>Privacy Flap not available for 10" wide backs</i>	
<input type="checkbox"/> Axiom DEX for Kids Hardware Extension	N/C
<i>Hardware extension adds an additional 2" of anterior depth adjustment</i>	
<input type="checkbox"/> Axiom for Kids Adjustable Shoulder Guides	£50

## Headrests

Description	Standard Straight Removable Adjustable Hardware		Multi-Axis Removable Adjustable Hardware		Posalinc Removable Adjustable Hardware		Posalinc Flip-Back Adjustable Hardware	
	Item Code	Retail	Item Code	Retail	Item Code	Retail	Item Code	Retail
Comfort Soft Headrest 8"	<input type="checkbox"/> CS08SS	£268	<input type="checkbox"/> CS08MA	£268	<input type="checkbox"/> CS08PL	£268	<input type="checkbox"/> CS08PLF	£268
Comfort Soft Headrest 10"	<input type="checkbox"/> CS10SS	£268	<input type="checkbox"/> CS10MA	£268	<input type="checkbox"/> CS10PL	£268	<input type="checkbox"/> CS10PLF	£268
Comfort Soft Headrest 14"	<input type="checkbox"/> CS14SS	£268	<input type="checkbox"/> CS14MA	£268	<input type="checkbox"/> CS14PL	£268	<input type="checkbox"/> CS14PLF	£268
Contour Positioning Pad, 8" X 6.25"	<input type="checkbox"/> CP08SS	£303	<input type="checkbox"/> CP08MA	£303	<input type="checkbox"/> CP08PL	£303	<input type="checkbox"/> CP08PLF	£303
Contour Positioning Pad, 9" X 6.5"	<input type="checkbox"/> CP09SS	£303	<input type="checkbox"/> CP09MA	£303	<input type="checkbox"/> CP09PL	£303	<input type="checkbox"/> CP09PLF	£303
Contour Positioning Pad, 10" X 7.5"	<input type="checkbox"/> CP10SS	£303	<input type="checkbox"/> CP10MA	£303	<input type="checkbox"/> CP10PL	£303	<input type="checkbox"/> CP10PLF	£303
Tri-soft Headrest 10"	<input type="checkbox"/> TS10SS	£386	<input type="checkbox"/> TS10MA	£386	<input type="checkbox"/> TS10PL	£386	<input type="checkbox"/> TS10PLF	£386
Tri-soft Headrest 14"	<input type="checkbox"/> TS14SS	£386	<input type="checkbox"/> TS14MA	£386	<input type="checkbox"/> TS14PL	£386	<input type="checkbox"/> TS14PLF	£386

## Headrest Hardware

*Not required with Axiom Headrests*

Description	Item Code	Retail
<input type="checkbox"/> Universal Headrest Mounting Plate	UMP	£43

## Anterior Trunk Supports

Description	Item Code	Retail
<input type="checkbox"/> Dynaform Chest Support: 2-Piece with Hook&Loop, 3" High Pad, Small	14941	£100
<input type="checkbox"/> Dynaform Chest Support: 2-Piece with Hook&Loop, 4" High Pad, Medium	14942	£100
<input type="checkbox"/> Dynaform Chest Support: 2-Piece with Hook&Loop, 5" High Pad, Large	14943	£100
<input type="checkbox"/> Dynaform Chest Support: 1-Piece with Buckle, 3" Height x 18" Width, Small	14924	£100
<input type="checkbox"/> Dynaform Chest Support: 1-Piece with Buckle, 4" Height x 20" Width, Medium	14927	£100
<input type="checkbox"/> Dynaform Chest Support: 1-Piece with Buckle, 4" Height x 22" Width, Large	14928	£100
<input type="checkbox"/> Dynaform Anterior Trunk Support: Standard, Dynamic, X-Small	14851	£100
<input type="checkbox"/> Dynaform Anterior Trunk Support: Standard, Dynamic, Small	14852	£100
<input type="checkbox"/> Dynaform Anterior Trunk Support: Standard, Dynamic, Medium	14853	£100
<input type="checkbox"/> Dynaform Anterior Trunk Support: Standard, Dynamic, Large	14854	£100
<input type="checkbox"/> Dynaform Anterior Trunk Support: Slim Cut, Dynamic, X-Small	14856	£100
<input type="checkbox"/> Dynaform Anterior Trunk Support: Slim Cut, Dynamic, Small	14857	£100
<input type="checkbox"/> Dynaform Anterior Trunk Support: Slim Cut, Dynamic, Medium	14858	£100
<input type="checkbox"/> Dynaform Anterior Trunk Support: Slim Cut, Dynamic, Large	14859	£100
<input type="checkbox"/> AirLogic Anterior Trunk Support: Standard, Structure, Small	14282	£300
<input type="checkbox"/> AirLogic Anterior Trunk Support: Standard, Structure, Medium	14283	£300
<input type="checkbox"/> AirLogic Anterior Trunk Support: Standard, Structure, Large	14284	£300
<input type="checkbox"/> AirLogic Anterior Trunk Support: Slim Cut, Dynamic, Small	14257	£300
<input type="checkbox"/> AirLogic Anterior Trunk Support: Slim Cut, Dynamic, Medium	14258	£300

This form must be opened in Adobe Acrobat. The Submit Form button will not work from most browser windows.



Phone (800) 981-1540 | Fax (715) 254-0996  
sales@kimobility.com | www.kimobility.com



### Gloss Finish

*If no selection is made, standard Shadow Black will be used with no additional lead time*

- |   |     |
|---|-----|
| <input type="checkbox"/> Opalescent Violet Back Shell | N/C |
| <input type="checkbox"/> Radiant Orange Back Shell    | N/C |
| <input type="checkbox"/> Electric Green Back Shell    | N/C |
| <input type="checkbox"/> Glacier Blue Back Shell      | N/C |
| <input type="checkbox"/> Dark Pink Back Shell         | N/C |
| <input type="checkbox"/> Light Pink Back Shell        | N/C |
| <input type="checkbox"/> Rich Teal Back Shell         | N/C |
| <input type="checkbox"/> Purple Plum Back Shell       | N/C |
| <input type="checkbox"/> Black Back Shell             | N/C |
| <input type="checkbox"/> Candy Blue Back Shell        | N/C |
| <input type="checkbox"/> Candy Purple Back Shell      | N/C |
| <input type="checkbox"/> Candy Red Back Shell         | N/C |
| <input type="checkbox"/> Granny Smith Back Shell      | N/C |
| <input type="checkbox"/> Metallic Orange Back Shell   | N/C |
| <input type="checkbox"/> Yellow Back Shell            | N/C |

### Matte Finish

*If no selection is made, standard Shadow Black will be used with no additional lead time*

- |   |     |
|---|-----|
| <input type="checkbox"/> Bright Red Back Shell          | N/C |
| <input type="checkbox"/> White Back Shell               | N/C |
| <input type="checkbox"/> Dry Earth Tan Back Shell       | N/C |
| <input type="checkbox"/> Tactical Green Back Shell      | N/C |
| <input type="checkbox"/> Charcoal Gray Back Shell       | N/C |
| <input type="checkbox"/> Iridescent Burgundy Back Shell | N/C |
| <input type="checkbox"/> Iridescent Navy Back Shell     | N/C |
| <input type="checkbox"/> Royal Blue Back Shell          | N/C |

### Metallic Finish

*If no selection is made, standard Shadow Black will be used with no additional lead time*

- |  |     |
|--|-----|
| <input type="checkbox"/> Blue Steel Back Shell | N/C |
|--|-----|