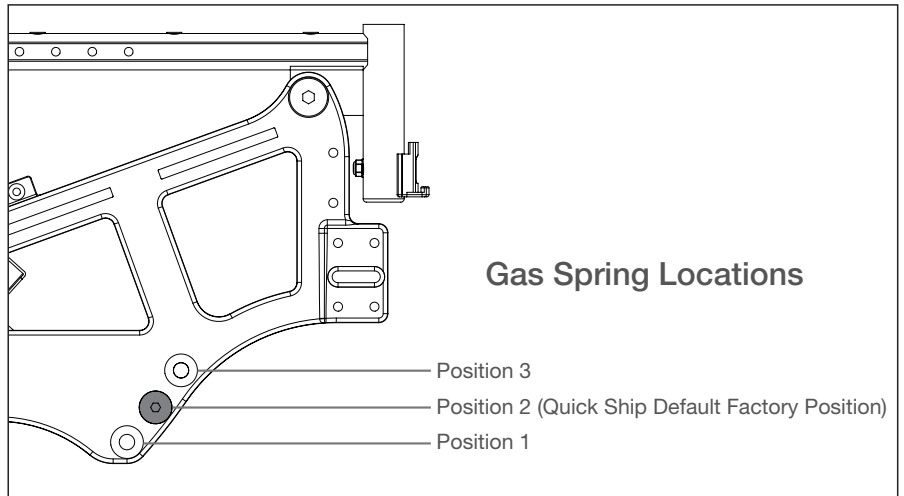


Use the diagram to the right and chart below to determine which gas spring location is needed for the configuration of your chair which is based on chair width and occupant weight.



Assistive Gas Strut Set-Up		
Client Weight	Setting	Spring Type (Newtons)
> 200 lbs	1	450N
176 - 200 lbs	2	450N
151 - 175 lbs ¹	3	450N
151 - 175 lbs ²	1	300N
125 - 150 lbs	2	300N
< 125 lbs	3	300N

¹Standard on chairs less than 16" deep
²Standard on chairs 16" deep or larger

With the correct gas spring location identified, remove hardware shown to the right to adjust gas spring to new hole location.

1. Remove E-Clip (D).
2. Use a 6mm Allen wrench to remove cylinder mount screw (A).
3. Rotate gas spring (C) up and remove nut (B).
4. Install nut (B) into new hole location.
5. Rotate gas spring (C) to new hole location and install cylinder mount screw (A) with 6mm Allen wrench.
6. Reinstall E-Clip (D).

NOTE: Gas spring is shown removed from frame only to show hardware. The opposite end of the gas spring stays connected to the frame during the adjustment procedure.

