

This form must be opened in Adobe Acrobat. The Submit Form button will not work from most browser windows.



Phone (800) 981-1540 | Fax (715) 254-0996
sales@kimobility.com | www.kimobility.com



Company:

Account Number: Date:

Quote: PO Number:

ATP:

Marked For:

Associated Quote/Order#:

Ship To:

Address:

City: State:

Zip: Phone:

Email/Fax:

SubmitButton

Effective: 6/17/2024

Ethos	£3300
Ethos Standard Frame 275lb weight capacity	

Frame

Seat Width

See reference A on page 8

<input type="checkbox"/> 12" [ETSWT012]	N/C
<input type="checkbox"/> 13" [ETSWT013]	N/C
<input type="checkbox"/> 14" [ETSWT014]	N/C
<input type="checkbox"/> 15" [ETSWT015]	N/C
<input type="checkbox"/> 16" [ETSWT016]	N/C
<input type="checkbox"/> 17" [ETSWT017]	N/C
<input type="checkbox"/> 18" [ETSWT018]	N/C
<input type="checkbox"/> 19" [ETSWT019]	£303
<input type="checkbox"/> 20" [ETSWT020]	£303

Seat Depth

See reference B on page 8

<input type="checkbox"/> 14" [ETSDE014]	N/C
<input type="checkbox"/> 15" [ETSDE015]	N/C
<input type="checkbox"/> 16" [ETSDE016]	N/C
<input type="checkbox"/> 17" [ETSDE017]	N/C
<input type="checkbox"/> 18" [ETSDE018]	N/C
<input type="checkbox"/> 19" [ETSDE019]	N/C
<input type="checkbox"/> 20" [ETSDE020]	£303

Transit Option

<input type="checkbox"/> Transit System [ETTRNOPT]	N/C
Cannot be retrofitted	
<input type="checkbox"/> Omit [ETTRNOP2]	N/C

Sling Position

In Performance Position (0"), sling is at front of frame. The 1" or 2" sling position extends the frame in front of the sling by that amount. See reference C on page 8.

<input type="checkbox"/> 0" (Performance) [ETSP01]	N/C
<input type="checkbox"/> 1" [ETSP03]	N/C
<input type="checkbox"/> 2" (Classic) [ETSP02]	N/C

Adjustable Depth

Adds the capability to grow seat in depth

<input type="checkbox"/> No Rear Adjustment [ETAD05]	N/C
<input type="checkbox"/> 1/2" [ETAD06]	N/C
<input type="checkbox"/> 1" [ETAD01]	N/C
<input type="checkbox"/> 1 1/2" [ETAD07]	£164
<input type="checkbox"/> 2" [ETAD02]	£164

Seat Pan

<input type="checkbox"/> Standard Seat Sling [ETSSS001]	N/C
<input type="checkbox"/> Aluminum Solid Seat Pan [ETACC004]	£164
<input type="checkbox"/> Omit Seat Sling [ETCUS003]	N/C

Front Frame Bend

Angle between front seat tube and ground. See reference D on page 8.

<input type="checkbox"/> 90° [ETFA01]	N/C
<input type="checkbox"/> 85° [ETFA03]	N/C
<input type="checkbox"/> 80° [ETFA02]	N/C
<input type="checkbox"/> 75° [ETFA04]	£140
<input type="checkbox"/> 70° [ETFA05]	£140

Polymer Setup

Setup determines characteristics of ride experience. For more information visit www.kimobility.com. If no selection is made Standard Setup will be used. Every chair includes one stage up and one stage down from what is assembled at time of build. Refer to the ISO TECH Setup Guide for more information.

Standard Setup

Polymer configuration calculated by chair size. No additional information required.

Standard [ETELA013] _____ N/C

Setup by Ki

A series of intelligent calculations using data below and chair configuration to determine optimal polymer setup based on desired ride experience

User Weight 120 lbs or less [ETELW001] _____
 User Weight 121 - 165 lbs [ETELW002] _____
 User Weight 166 - 209 lbs [ETELW003] _____
 User Weight 210 - 275 lbs [ETELW004] _____ N/C

Ride Experience Firmer [ETELA011] _____ N/C
 Ride Experience Softer [ETELA012] _____ N/C

Custom Setup Front ISO Tower

Ultra Soft Gauge (Red) Front < 120 lbs [ETELA006] _____ N/C
 Soft Gauge (Blue) Front < 150 lbs [ETELA003] _____ N/C
 Mid Gauge (Black) Front < 250 lbs [ETELA004] _____ N/C
 Rigid Gauge (Green) Front < 275 lbs [ETELA005] _____ N/C

Custom Setup Rear ISO Tower

Ultra Soft Gauge (Red) Rear < 120 lbs [ETELA010] _____ N/C
 Soft Gauge (Blue) Rear < 150 lbs [ETELA007] _____ N/C
 Mid Gauge (Black) Rear < 250 lbs [ETELA008] _____ N/C
 Rigid Gauge (Green) Rear < 275 lbs [ETELA009] _____ N/C

Backrest

Back Post / Height Range / Back Height

Back Post	Price	Height Range	Back Height				
Height Adjustable	N/C	<input type="checkbox"/> Height Adj Short Back Post (11" - 14") [ETBOP025]	<input type="checkbox"/> 11" ²	<input type="checkbox"/> 12"	<input type="checkbox"/> 13"	<input type="checkbox"/> 14"	
		<input type="checkbox"/> Height Adj Medium Back Post (13" - 17") [ETBOP026]	<input type="checkbox"/> 13"	<input type="checkbox"/> 14"	<input type="checkbox"/> 15"	<input type="checkbox"/> 16"	<input type="checkbox"/> 17"
		<input type="checkbox"/> Height Adj Medium Back Post (13" - 17") [ETBOP026]	<input type="checkbox"/> 17"	<input type="checkbox"/> 18"	<input type="checkbox"/> 19"	<input type="checkbox"/> 20"	
Fixed Height ¹	N/C	<input type="checkbox"/> Fixed Height Straight Back [ETBOP011]	<input type="checkbox"/> 9" ²	<input type="checkbox"/> 10" ²	<input type="checkbox"/> 11" ²	<input type="checkbox"/> 12" ³	<input type="checkbox"/> 13"
			<input type="checkbox"/> 14"	<input type="checkbox"/> 15"	<input type="checkbox"/> 16"	<input type="checkbox"/> 17"	<input type="checkbox"/> 18"

¹ Not available with back upholstery
² Not available with Fold Down Push Handle

Seat Back Angle

Standard is 90° (perpendicular to floor). Minus (-°) closes back angle. Plus (+°) opens back angle.

Standard [ETSBA001] +3° [ETSBA002] +6° [ETSBA003]
 +9° [ETSBA004] -3° [ETSBA005] -6° [ETSBA006]
 -9° [ETSBA007] -12° [ETSBA008] _____ N/C

Back Upholstery Options

If selecting both upholstery and Axiom Back, the upholstery will be installed

Padded Velcro Adjustable with Standard Cover [ETBUP001] _____ N/C
 Padded Velcro Adjustable with Air Mesh Breathable Cover [ETBUP006] £73
 Tension Adjustable with Standard Cover [ETBUP002] _____ N/C
 Tension Adjustable with Air Mesh Breathable Cover [ETBUP007] _____ £182
 Omit [ETBUP003] _____ N/C

Push Handles

Omit Push Handle [ETBCK008] _____ N/C
 Standard Push Handle [ETBCK004] _____ N/C
 Low Profile Push Handle [ETBCK007] _____ £134
 ² shorter than standard push handles
 Fold Down Push Handle [ETBCK006] _____ £158
 Bolt-On Push Handle [ETBOP005] _____ £182
 Handles will be 1" - 2" above back height

Stroller Handles

Stroller Handles are removable and height adjustable

Single Stroller Handle [ETBOP007] _____ £164
 Double Stroller Handle [ETBOP006] _____ £212
 Not available with Push Handles

Adjustable Height Rigidizer Bar

Adjustable Height Rigidizer Bar [ETBCK001] _____ N/C
 Non-Adjustable Height Rigidizer Bar [ETBCK010] _____ N/C
 Not available with Fixed Height Back Post

Front Seat Height and Casters

Caster Size / Footrest Taper / Front Seat Height

Select Front Seat Height and Footrest Taper in row corresponding to Caster Size. 6" casters not available with 85° and 90° Front Frame Bend.
 Footrest Taper indicates bend of front frame creating footrest width. 2" Taper not available with seat widths less than 16". V-Front not available with seat widths less than 14". V-Front results in 4" reduction from seat width to footrest width. Taper is measured from outside of seat frame to outside of front tube. See reference E on page 8.
 Front Seat Height is measured from floor to top of seat tube at front of seat sling. Minimum adjustment is +/- 1/2". See reference F on page 8.

Footrest Taper	Caster Size	Front Seat Height															
		3"	13.5"	14"	14.5"	15"	15.5"	16"	16.5"	17"	17.5"	18"	18.5"	19"	19.5"	20"	20.5"
<input type="checkbox"/> Straight (No Taper) [ETFT00]	3"	<input type="checkbox"/>	<input type="checkbox"/>	<input type="checkbox"/>	<input type="checkbox"/>	<input type="checkbox"/>	<input type="checkbox"/>	<input type="checkbox"/>	<input type="checkbox"/>	<input type="checkbox"/>	<input type="checkbox"/>	<input type="checkbox"/>	<input type="checkbox"/>	<input type="checkbox"/>	<input type="checkbox"/>	<input type="checkbox"/>	<input type="checkbox"/>
	4"	<input type="checkbox"/>	<input type="checkbox"/>	<input type="checkbox"/>	<input type="checkbox"/>	<input type="checkbox"/>	<input type="checkbox"/>	<input type="checkbox"/>	<input type="checkbox"/>	<input type="checkbox"/>	<input type="checkbox"/>	<input type="checkbox"/>	<input type="checkbox"/>	<input type="checkbox"/>	<input type="checkbox"/>	<input type="checkbox"/>	<input type="checkbox"/>
	5"	<input type="checkbox"/>	<input type="checkbox"/>	<input type="checkbox"/>	<input type="checkbox"/>	<input type="checkbox"/>	<input type="checkbox"/>	<input type="checkbox"/>	<input type="checkbox"/>	<input type="checkbox"/>	<input type="checkbox"/>	<input type="checkbox"/>	<input type="checkbox"/>	<input type="checkbox"/>	<input type="checkbox"/>	<input type="checkbox"/>	<input type="checkbox"/>
	6"	<input type="checkbox"/>	<input type="checkbox"/>	<input type="checkbox"/>	<input type="checkbox"/>	<input type="checkbox"/>	<input type="checkbox"/>	<input type="checkbox"/>	<input type="checkbox"/>	<input type="checkbox"/>	<input type="checkbox"/>	<input type="checkbox"/>	<input type="checkbox"/>	<input type="checkbox"/>	<input type="checkbox"/>	<input type="checkbox"/>	<input type="checkbox"/>
<input type="checkbox"/> 1" [ETFT01]	3"	<input type="checkbox"/>	<input type="checkbox"/>	<input type="checkbox"/>	<input type="checkbox"/>	<input type="checkbox"/>	<input type="checkbox"/>	<input type="checkbox"/>	<input type="checkbox"/>	<input type="checkbox"/>	<input type="checkbox"/>	<input type="checkbox"/>	<input type="checkbox"/>	<input type="checkbox"/>	<input type="checkbox"/>	<input type="checkbox"/>	<input type="checkbox"/>
	4"	<input type="checkbox"/>	<input type="checkbox"/>	<input type="checkbox"/>	<input type="checkbox"/>	<input type="checkbox"/>	<input type="checkbox"/>	<input type="checkbox"/>	<input type="checkbox"/>	<input type="checkbox"/>	<input type="checkbox"/>	<input type="checkbox"/>	<input type="checkbox"/>	<input type="checkbox"/>	<input type="checkbox"/>	<input type="checkbox"/>	<input type="checkbox"/>
	5"	<input type="checkbox"/>	<input type="checkbox"/>	<input type="checkbox"/>	<input type="checkbox"/>	<input type="checkbox"/>	<input type="checkbox"/>	<input type="checkbox"/>	<input type="checkbox"/>	<input type="checkbox"/>	<input type="checkbox"/>	<input type="checkbox"/>	<input type="checkbox"/>	<input type="checkbox"/>	<input type="checkbox"/>	<input type="checkbox"/>	<input type="checkbox"/>
	6"	<input type="checkbox"/>	<input type="checkbox"/>	<input type="checkbox"/>	<input type="checkbox"/>	<input type="checkbox"/>	<input type="checkbox"/>	<input type="checkbox"/>	<input type="checkbox"/>	<input type="checkbox"/>	<input type="checkbox"/>	<input type="checkbox"/>	<input type="checkbox"/>	<input type="checkbox"/>	<input type="checkbox"/>	<input type="checkbox"/>	<input type="checkbox"/>
<input type="checkbox"/> 2" [ETFT02]	3"	<input type="checkbox"/>	<input type="checkbox"/>	<input type="checkbox"/>	<input type="checkbox"/>	<input type="checkbox"/>	<input type="checkbox"/>	<input type="checkbox"/>	<input type="checkbox"/>	<input type="checkbox"/>	<input type="checkbox"/>	<input type="checkbox"/>	<input type="checkbox"/>	<input type="checkbox"/>	<input type="checkbox"/>	<input type="checkbox"/>	<input type="checkbox"/>
	4"	<input type="checkbox"/>	<input type="checkbox"/>	<input type="checkbox"/>	<input type="checkbox"/>	<input type="checkbox"/>	<input type="checkbox"/>	<input type="checkbox"/>	<input type="checkbox"/>	<input type="checkbox"/>	<input type="checkbox"/>	<input type="checkbox"/>	<input type="checkbox"/>	<input type="checkbox"/>	<input type="checkbox"/>	<input type="checkbox"/>	<input type="checkbox"/>
	5"	<input type="checkbox"/>	<input type="checkbox"/>	<input type="checkbox"/>	<input type="checkbox"/>	<input type="checkbox"/>	<input type="checkbox"/>	<input type="checkbox"/>	<input type="checkbox"/>	<input type="checkbox"/>	<input type="checkbox"/>	<input type="checkbox"/>	<input type="checkbox"/>	<input type="checkbox"/>	<input type="checkbox"/>	<input type="checkbox"/>	<input type="checkbox"/>
	6"	<input type="checkbox"/>	<input type="checkbox"/>	<input type="checkbox"/>	<input type="checkbox"/>	<input type="checkbox"/>	<input type="checkbox"/>	<input type="checkbox"/>	<input type="checkbox"/>	<input type="checkbox"/>	<input type="checkbox"/>	<input type="checkbox"/>	<input type="checkbox"/>	<input type="checkbox"/>	<input type="checkbox"/>	<input type="checkbox"/>	<input type="checkbox"/>
<input type="checkbox"/> V-Front [ETFT04] 306€	3"	<input type="checkbox"/>	<input type="checkbox"/>	<input type="checkbox"/>	<input type="checkbox"/>	<input type="checkbox"/>	<input type="checkbox"/>	<input type="checkbox"/>	<input type="checkbox"/>	<input type="checkbox"/>	<input type="checkbox"/>	<input type="checkbox"/>	<input type="checkbox"/>	<input type="checkbox"/>	<input type="checkbox"/>	<input type="checkbox"/>	<input type="checkbox"/>
	4"	<input type="checkbox"/>	<input type="checkbox"/>	<input type="checkbox"/>	<input type="checkbox"/>	<input type="checkbox"/>	<input type="checkbox"/>	<input type="checkbox"/>	<input type="checkbox"/>	<input type="checkbox"/>	<input type="checkbox"/>	<input type="checkbox"/>	<input type="checkbox"/>	<input type="checkbox"/>	<input type="checkbox"/>	<input type="checkbox"/>	<input type="checkbox"/>
	5"	<input type="checkbox"/>	<input type="checkbox"/>	<input type="checkbox"/>	<input type="checkbox"/>	<input type="checkbox"/>	<input type="checkbox"/>	<input type="checkbox"/>	<input type="checkbox"/>	<input type="checkbox"/>	<input type="checkbox"/>	<input type="checkbox"/>	<input type="checkbox"/>	<input type="checkbox"/>	<input type="checkbox"/>	<input type="checkbox"/>	<input type="checkbox"/>
	6"	<input type="checkbox"/>	<input type="checkbox"/>	<input type="checkbox"/>	<input type="checkbox"/>	<input type="checkbox"/>	<input type="checkbox"/>	<input type="checkbox"/>	<input type="checkbox"/>	<input type="checkbox"/>	<input type="checkbox"/>	<input type="checkbox"/>	<input type="checkbox"/>	<input type="checkbox"/>	<input type="checkbox"/>	<input type="checkbox"/>	<input type="checkbox"/>

Casters

Caster Type		Caster Size				
		Price	3"	4"	5"	6"
<input type="checkbox"/>	.75" Rollerblade	N/C	<input type="checkbox"/> [ETCAS002]	<input type="checkbox"/> [ETCAS004]		
	.75" Lighted Rollerblade	£81	<input type="checkbox"/> [ETCAS001]	<input type="checkbox"/> [ETCAS005]		
	1" Poly	N/C		<input type="checkbox"/> [ETCAS006]	<input type="checkbox"/> [ETCAS010]	<input type="checkbox"/> [ETCAS014]
	1" Poly Aluminum	£96		<input type="checkbox"/> [ETCAS007]	<input type="checkbox"/> [ETCAS011]	
	1" Pneumatic	£103				<input type="checkbox"/> [ETCAS017]
	1.5" Poly	N/C		<input type="checkbox"/> [ETCAS032]	<input type="checkbox"/> [ETCAS025]	<input type="checkbox"/> [ETCAS026]
	1.5" Soft Roll Aluminum	£96	<input type="checkbox"/> [ETCAS003]	<input type="checkbox"/> [ETCAS009]	<input type="checkbox"/> [ETCAS013]	<input type="checkbox"/> [ETCAS016]

Caster Position

- Optimized [ETCST015] N/C
Caster placement relative to seat frame has been set to maximize adjustability and minimize the footprint of the chair
- Expanded Width [ETCST016] N/C
Caster arm is positioned approximately .75" wider than Optimized position

Fork Options

- Standard Fork [ETFRK001] N/C
- Single Sided Fork [ETFRK003] £206
- Frog Legs II Suspension System [ETCST014] £424
Lightweight shock absorbing fork. Not included in Colored Anodizing Package.

Footrest

Footplates	Seat to Footrest Length																																																			
<input type="checkbox"/> Tubular "Open" Footplate [ETFPLO04] _____ N/C <i>Not available with V-Front Taper</i>	<i>Measured from front edge of seat sling to top, rear of footrest. Footrest length at least 2.5" shorter than Front Seat Height recommended. See reference H on page 8.</i>																																																			
<input type="checkbox"/> Tubular Footplate with ABS Cover [ETFPLO05] _____ £86 <i>Not available with V-Front Taper or footrest widths greater than 15.5". See Reference G on page 8.</i>																																																				
<input type="checkbox"/> Aluminum Angle Adjustable [ETFPLO06] _____ £182 <i>Not available with V-Front Taper</i>																																																				
<input type="checkbox"/> Hybrid Angle Adjustable [ETFPLO15] _____ £182																																																				
<input type="checkbox"/> Hybrid Angle Adjustable with Wings [ETFPLO16] _____ £206 <i>Raised sides aid in foot positioning</i>																																																				
<input type="checkbox"/> Angle Adjustable Flip Under [ETFPLO12] _____ £224 <i>Not available with V-Front Taper. Available only with 9.5"-15.5" footrest width. See Reference G on page 8.</i>	<table border="1" style="width:100%; border-collapse: collapse; text-align: center;"> <thead> <tr style="background-color: #cccccc;"> <th style="width:15%;">Taper</th> <th colspan="6">Seat to Footrest length</th> </tr> </thead> <tbody> <tr> <td rowspan="4" style="vertical-align: middle;">Straight and V-Front</td> <td><input type="checkbox"/> 9"</td><td><input type="checkbox"/> 9.5"</td><td><input type="checkbox"/> 10"</td><td><input type="checkbox"/> 10.5"</td><td><input type="checkbox"/> 11"</td><td><input type="checkbox"/> 11.5"</td> </tr> <tr> <td><input type="checkbox"/> 12"</td><td><input type="checkbox"/> 12.5"</td><td><input type="checkbox"/> 13"</td><td><input type="checkbox"/> 13.5"</td><td><input type="checkbox"/> 14"</td><td><input type="checkbox"/> 14.5"</td> </tr> <tr> <td><input type="checkbox"/> 15"</td><td><input type="checkbox"/> 15.5"</td><td><input type="checkbox"/> 16"</td><td><input type="checkbox"/> 16.5"</td><td><input type="checkbox"/> 17"</td><td><input type="checkbox"/> 17.5"</td> </tr> <tr style="background-color: #cccccc;"> <td><input type="checkbox"/> 18"</td><td><input type="checkbox"/> 18.5"</td><td><input type="checkbox"/> 19"</td><td><input type="checkbox"/> 19.5"</td><td></td><td></td> </tr> <tr> <td rowspan="3" style="vertical-align: middle;">1" Taper and 2" Taper</td> <td><input type="checkbox"/> 13.5"</td><td><input type="checkbox"/> 14"</td><td><input type="checkbox"/> 14.5"</td><td><input type="checkbox"/> 15"</td><td><input type="checkbox"/> 15.5"</td><td><input type="checkbox"/> 16"</td> </tr> <tr> <td><input type="checkbox"/> 16.5"</td><td><input type="checkbox"/> 17"</td><td><input type="checkbox"/> 17.5"</td><td><input type="checkbox"/> 18"</td><td><input type="checkbox"/> 18.5"</td><td><input type="checkbox"/> 19"</td> </tr> <tr style="background-color: #cccccc;"> <td><input type="checkbox"/> 19.5"</td><td></td><td></td><td></td><td></td><td></td> </tr> </tbody> </table>	Taper	Seat to Footrest length						Straight and V-Front	<input type="checkbox"/> 9"	<input type="checkbox"/> 9.5"	<input type="checkbox"/> 10"	<input type="checkbox"/> 10.5"	<input type="checkbox"/> 11"	<input type="checkbox"/> 11.5"	<input type="checkbox"/> 12"	<input type="checkbox"/> 12.5"	<input type="checkbox"/> 13"	<input type="checkbox"/> 13.5"	<input type="checkbox"/> 14"	<input type="checkbox"/> 14.5"	<input type="checkbox"/> 15"	<input type="checkbox"/> 15.5"	<input type="checkbox"/> 16"	<input type="checkbox"/> 16.5"	<input type="checkbox"/> 17"	<input type="checkbox"/> 17.5"	<input type="checkbox"/> 18"	<input type="checkbox"/> 18.5"	<input type="checkbox"/> 19"	<input type="checkbox"/> 19.5"			1" Taper and 2" Taper	<input type="checkbox"/> 13.5"	<input type="checkbox"/> 14"	<input type="checkbox"/> 14.5"	<input type="checkbox"/> 15"	<input type="checkbox"/> 15.5"	<input type="checkbox"/> 16"	<input type="checkbox"/> 16.5"	<input type="checkbox"/> 17"	<input type="checkbox"/> 17.5"	<input type="checkbox"/> 18"	<input type="checkbox"/> 18.5"	<input type="checkbox"/> 19"	<input type="checkbox"/> 19.5"					
Taper	Seat to Footrest length																																																			
Straight and V-Front	<input type="checkbox"/> 9"	<input type="checkbox"/> 9.5"	<input type="checkbox"/> 10"	<input type="checkbox"/> 10.5"	<input type="checkbox"/> 11"	<input type="checkbox"/> 11.5"																																														
	<input type="checkbox"/> 12"	<input type="checkbox"/> 12.5"	<input type="checkbox"/> 13"	<input type="checkbox"/> 13.5"	<input type="checkbox"/> 14"	<input type="checkbox"/> 14.5"																																														
	<input type="checkbox"/> 15"	<input type="checkbox"/> 15.5"	<input type="checkbox"/> 16"	<input type="checkbox"/> 16.5"	<input type="checkbox"/> 17"	<input type="checkbox"/> 17.5"																																														
	<input type="checkbox"/> 18"	<input type="checkbox"/> 18.5"	<input type="checkbox"/> 19"	<input type="checkbox"/> 19.5"																																																
1" Taper and 2" Taper	<input type="checkbox"/> 13.5"	<input type="checkbox"/> 14"	<input type="checkbox"/> 14.5"	<input type="checkbox"/> 15"	<input type="checkbox"/> 15.5"	<input type="checkbox"/> 16"																																														
	<input type="checkbox"/> 16.5"	<input type="checkbox"/> 17"	<input type="checkbox"/> 17.5"	<input type="checkbox"/> 18"	<input type="checkbox"/> 18.5"	<input type="checkbox"/> 19"																																														
	<input type="checkbox"/> 19.5"																																																			

Footrest Protector	
<input type="checkbox"/> Footrest Protector [ETACC020] _____	N/C
<i>Not available with Angle Adjustable Flip Under Footplate</i>	

Rear Seat Height and Wheels

Wheel Size / Rear Seat Height														
Wheel Size	Rear Seat Height													
22"	<input type="checkbox"/> 13.5"	<input type="checkbox"/> 14"	<input type="checkbox"/> 14.5"	<input type="checkbox"/> 15"	<input type="checkbox"/> 15.5"	<input type="checkbox"/> 16"	<input type="checkbox"/> 16.5"	<input type="checkbox"/> 17"	<input type="checkbox"/> 17.5"	<input type="checkbox"/> 18"	<input type="checkbox"/> 18.5"	<input type="checkbox"/> 19"	<input type="checkbox"/> 19.5"	<input type="checkbox"/> 20"
24"	<input type="checkbox"/> 14.5"	<input type="checkbox"/> 15"	<input type="checkbox"/> 15.5"	<input type="checkbox"/> 16"	<input type="checkbox"/> 16.5"	<input type="checkbox"/> 17"	<input type="checkbox"/> 17.5"	<input type="checkbox"/> 18"	<input type="checkbox"/> 18.5"	<input type="checkbox"/> 19"	<input type="checkbox"/> 19.5"	<input type="checkbox"/> 20"		
25"	<input type="checkbox"/> 14.5"	<input type="checkbox"/> 15"	<input type="checkbox"/> 15.5"	<input type="checkbox"/> 16"	<input type="checkbox"/> 16.5"	<input type="checkbox"/> 17"	<input type="checkbox"/> 17.5"	<input type="checkbox"/> 18"	<input type="checkbox"/> 18.5"	<input type="checkbox"/> 19"	<input type="checkbox"/> 19.5"	<input type="checkbox"/> 20"		
26"	<input type="checkbox"/> 15.5"	<input type="checkbox"/> 16"	<input type="checkbox"/> 16.5"	<input type="checkbox"/> 17"	<input type="checkbox"/> 17.5"	<input type="checkbox"/> 18"	<input type="checkbox"/> 18.5"	<input type="checkbox"/> 19"	<input type="checkbox"/> 19.5"	<input type="checkbox"/> 20"				

Select Rear Seat Height in row corresponding to desired Wheel Size. For proper setup, selection is required when omitting rear wheels. Measured from floor to top of seat tube at front of back post. Rear Seat Height is custom to needs. See reference I on page 8.

Rear Wheel Type						
		Rear Wheel Size				
		Price	22"	24"	25"	26"
Rear Wheel Type	Maxx Spoke	N/C	<input type="checkbox"/> [ETWH1122]	<input type="checkbox"/> [ETWH1124]	<input type="checkbox"/> [ETWH1125]	<input type="checkbox"/> [ETWH1126]
	Mag	N/C	<input type="checkbox"/> [ETWHE122]	<input type="checkbox"/> [ETWHE124]		
	Colored Mag ²	£121	<input type="checkbox"/> [ETWH1322]	<input type="checkbox"/> [ETWH1324]		
	Superlight Spoke	£121		<input type="checkbox"/> [ETWHE224]	<input type="checkbox"/> [ETWHE225] ¹	
	Spinergy Spox	£768	<input type="checkbox"/> [ETWHE422]	<input type="checkbox"/> [ETWHE424]	<input type="checkbox"/> [ETWHE425]	<input type="checkbox"/> [ETWHE426]
	Spinergy LX	£876	<input type="checkbox"/> [ETWHE522]	<input type="checkbox"/> [ETWHE524]	<input type="checkbox"/> [ETWHE525]	<input type="checkbox"/> [ETWHE526]

¹ Available only with Superlight and Plastic Coated Handrims
² Mag Color selection on page 7

Spinergy Options	
<i>Select spoke color for Spinergy Wheels</i>	
<input type="checkbox"/> Black Spokes [ETSSC001] _____	N/C
<input type="checkbox"/> Red Spokes [ETSSC002] <input type="checkbox"/> White Spokes [ETSSC003]	
<input type="checkbox"/> Blue Spokes [ETSSC005] _____	£91

Rear Tire Type

Full Profile

- Street Pneumatic 1 3/8" [ETTIR001] N/C
Not available on 25" wheel size
- Full Poly 1 3/8" [ETTIR002] N/C
Not available on Superlight wheel or 25" or 26" wheel sizes
- Pneumatic with Airless Insert 1 3/8" [ETTIR004] £110
Not available on Superlight wheel or 25" wheel size
- Schwalbe HS-127 1 3/8" [ETTIR017] £110
Available only on 24" wheel size. Not available on Mag wheel.
- Mountain 2" Black (E2211, E2212) [ETTIR009] £151
Available only on 22", 24" and 25" MAXX Spoke and Spinergy wheels

Low Profile

- Low Poly 1" [ETTIR003] £110
Not available on Superlight wheel, 25" or 26" wheel sizes
- Sentinel Solid Tire 1" [ETTIR005] £110
Not available on Superlight Wheels
- High Pressure 1" [ETTIR006] N/C
Not available on Mag wheel
- Schwalbe One 1" [ETTIR018] £110
Available only on 24" and 25" wheel sizes. Not available on Mag wheel.
- Schwalbe Marathon Plus Evolution 1" [ETTIR010] £110
Not available on Mag wheel or 22" wheel size

Handrim Options

Handrim Mount

If no selection is made, Standard Mount will be used

- Close Mount [ETTAB001] N/C
Reduces overall width by .75"

Micro-Grip

- 3M Micro Grip [ETACC006] £91
Not available on Plastic Coated or Projection Handrims

Handrims

Standard Handrims

- Aluminum Anodized [ETHRM001] N/C
- Superlight Aluminum Anodized [ETHRM010] N/C
Available only on 24" and 25" wheel sizes. Available only on MAXX Spoke, Superlight or Spinergy wheels.
- Plastic Coated [ETHRM002] £121
- Projection (8 Vertical Projections) [ETHRM003] £333
Available only with full profile tires in combination with 22", 24", and 26" MAXX Spoke wheels, or 22" and 24" Mag wheels
- Omit Handrim [ETHRM012] N/C

Ergonomic Handrims

Not available with 20" or 26" wheels.

- Ergo Lite Regular Grip [ETHRM005] £272
- Ergo Standard Regular Grip [ETHRM008] £272
- Ergo Lite Extra Grip [ETHRM006] £272
- Ergo Standard Extra Grip [ETHRM009] £272
- Ergo Lite Omit Grip [ETHRM004] £272
- Ergo Standard Omit Grip [ETHRM007] £272

Axles

- Quick Release [ETAXO003] N/C
- Quad Quick Release [ETAXO001] £182
Not available with Mag or Spinergy wheels

Rear Wheel Camber

- 0° [ETWC00] 2° [ETWC02] 4° [ETWC04] 6° [ETWC06] 8° [ETWC08] N/C

Rear Wheel Spacing

Measured from outside of back to inside of rear tire. 1.75" minimum Rear Wheel Spacing with Height Adjustable Armrests. 1" minimum Rear Wheel Spacing with side guards. 1.25" minimum Rear Wheel Spacing with Spinergy Wheels. See reference K on page 8.

- 0.75" [ETWS075] 1" [ETWS100] 1.25" [ETWS125] 1.5" [ETWS150] 1.75" [ETWS175] N/C

Center of Gravity Presets

Measured from front of back post to center of rear axle. 0" indicates axle will be directly under back post. See reference J on page 8.

Amputee Positions					
<input type="checkbox"/> -1.5" [ETCGA150]	<input type="checkbox"/> -1.25" [ETCGA125]	<input type="checkbox"/> -1" [ETCGA100]	<input type="checkbox"/> -.75" [ETCGA075]	<input type="checkbox"/> -.5" [ETCGA050]	<input type="checkbox"/> -.25" [ETCGA025]
<input type="checkbox"/> 0" [ETCGS000]	<input type="checkbox"/> .25" [ETCGS025]				
Standard Positions					
<input type="checkbox"/> .5" [ETCGS050]	<input type="checkbox"/> .75" [ETCGS075]	<input type="checkbox"/> 1" [ETCGS100]	<input type="checkbox"/> 1.25" [ETCGS125]	<input type="checkbox"/> 1.5" [ETCGS150]	<input type="checkbox"/> 1.75" [ETCGS175]
<input type="checkbox"/> 2" [ETCGS200]	<input type="checkbox"/> 2.25" [ETCGS225]	<input type="checkbox"/> 2.5" [ETCGS250]	<input type="checkbox"/> 2.75" [ETCGS275]	<input type="checkbox"/> 3" [ETCGS300]	<input type="checkbox"/> 3.25" [ETCGS325]
<input type="checkbox"/> 3.5" [ETCGS350]	<input type="checkbox"/> 3.75" [ETCGS375]	<input type="checkbox"/> 4" [ETCGS400]	<input type="checkbox"/> 4.25" [ETCGS425]		

Wheel Locks

Wheel Locks	
<input type="checkbox"/> Push to Lock [ETWLK002]	N/C
<input type="checkbox"/> Push to Lock Flush Mount [ETWLK001]	£67
<i>Not available with Mountain tires</i>	
<input type="checkbox"/> Pull to Lock [ETWLK003]	N/C
<input type="checkbox"/> Low Profile Scissor Lock [ETWLK012]	£175
<i>Not available with Full Poly tires</i>	
<input type="checkbox"/> Omit [ETWLK008]	N/C

Wheel Lock Options	
<input type="checkbox"/> Extension Handles [ETWLK004]	£49
<i>Available only with Push to Lock or Pull to Lock Wheel Locks</i>	
<input type="checkbox"/> Grade Aids [ETWLK009]	£145
<i>Available only with Push to Lock Wheel Locks and Pneumatic or Pneumatic with Airless Insert tires</i>	

Armrests

Armrest Type	Length	Price
Height Adjustable T-Arm Tall (11.5"-15")	Desk <input type="checkbox"/> [ETARM039]	£212
	Full <input type="checkbox"/> [ETARM040]	
Height Adjustable T-Arm (8.5"-13.5")	Desk <input type="checkbox"/> [ETARM003]	£212
	Full <input type="checkbox"/> [ETARM004]	

1 Certain configurations may dictate selection

2 Includes Composite Side Guards

3 18.5" is the maximum Rear Seat Height with 24" rear wheels and tall swing away arms

Armrest Type	Size	Price
Swing Away (8.5"-12.5") ¹	Short <input type="checkbox"/> [ETARM031]	£255
	Tall <input type="checkbox"/> [ETARM032] ³	
Swing Away with Side Guard (8.5"-12.5") ^{1,2}	Short <input type="checkbox"/> [ETARM033]	£255
	Tall <input type="checkbox"/> [ETARM034] ³	
Omit Armrests	<input type="checkbox"/> [ETARM007]	N/C

Arm Pads

Not available with Swing Away Armrests

<input type="checkbox"/> Standard Arm Pad [ETARM026]	N/C
<input type="checkbox"/> Waterfall Arm Pad [ETARM020]	N/C

Side Guards

Side Guards	
<i>Not available with Height Adjustable T-Arm or Swing Away with Side Guard Armrests</i>	
<input type="checkbox"/> Composite Side Guards - Clamp-On Receiver [ETSDG004]	£199
<input type="checkbox"/> Aluminum Straight - Clamp On Receiver - Black Matte [ETSDG020]	£212
<input type="checkbox"/> Aluminum Straight - Clamp-On Receiver - Match Seat Frame Color [ETSDG023]	£272
<input type="checkbox"/> Aluminum Straight - Clamp-On Receiver - Match Base Frame Color [ETSDG021]	£272
<input type="checkbox"/> Aluminum Adjustable Fender w/Foam Pad - Clamp-On Receiver - Black [ETSDG017]	£296
<input type="checkbox"/> Aluminum Adjustable Fender w/Foam Pad - Clamp-On Receiver - [ETSDG022]	£357
<input type="checkbox"/> Aluminum Adjustable Fender w/Foam Pad - Clamp-On Receiver [ETSDG019]	£357
<input type="checkbox"/> Carbon Fiber Adjustable Fender - Clamp-On Receiver [ETSDG016]	£393

Accessories

Anti - Tips	
<input type="checkbox"/> Rear Anti-Tips [ETATP001]	£91
<input type="checkbox"/> User Activated - Pair [ETATP012]	£320
<input type="checkbox"/> User Activated - Left [ETATP010]	£164
<input type="checkbox"/> User Activated - Right [ETATP011]	£164
<input type="checkbox"/> Omit [ETATP000]	N/C

Pelvic Positioning Belt	
<input type="checkbox"/> 1 1/2" Auto Buckle Pelvic Positioning Belt [ETPOB001]	£55
<input type="checkbox"/> 1 1/2" Padded Auto Buckle Pelvic Positioning Belt [ETPOB002]	£151
<input type="checkbox"/> Small Flex-Mount Positioning Belt(16-24") [ETPOB007]	£188
<input type="checkbox"/> Medium Flex-Mount Positioning Belt (19-29") [ETPOB008]	£188
<input type="checkbox"/> Large Flex-Mount Positioning Belt (25-37") [ETPOB009]	£188

Belt Mounting Kit	
<input type="checkbox"/> Ki Mobility Belt Mounting Clamp [ETACC023]	£37

Calf Strap	
<i>Mounting hardware included with Calf Straps</i>	
<input type="checkbox"/> Velcro Adjustable with Mounting Hardware [ETACC043]	£43
<input type="checkbox"/> Padded Velcro Adjustable with Mounting Hardware [ETACC044]	£67
<input type="checkbox"/> Padded Airmesh Calf Strap with Mounting Hardware [ETACC045]	£103
<input type="checkbox"/> Calf Strap Mounting Hardware (Extra) [ETACC041]	£25

Other Accessories	
<input type="checkbox"/> Tool Kit [ETACC005]	£20
<input type="checkbox"/> Removable Underseat Pouch [ETACC015]	£30
<input type="checkbox"/> Ki Mobility Backpack [ETACC009]	£100
<input type="checkbox"/> Luggage Carrier [ETACC025]	£73
<input type="checkbox"/> Under Chair Carrier and Removable Bag [ETACC001]	£30
<i>Not available with Seat Widths less than 14" or scissor locks</i>	

Color

Paint Options

If there is no color preference Black is recommended

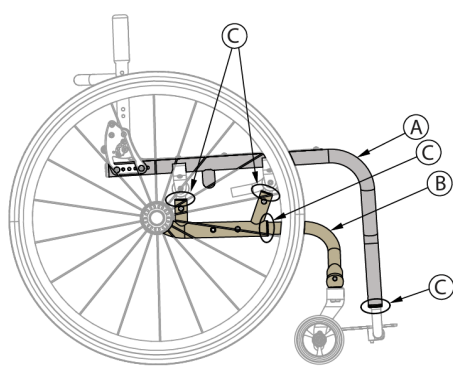
Options	Price	Colors																						
		Gloss														Matte						Metallic		
		Black	Yellow	Light Pink	Dark Pink	Glacier Blue	Electric Green	Radiant Orange	Opalescent Violet	Purple Plum	Rich Teal	Metallic Orange	Granny Smith	Candy Red	Candy Blue	Candy Purple	Tactical Green	Dry Earth Tan	White	Shadow Black	Bright Red	Royal Blue	Charcoal Gray	Iridescent Navy
Seat Frame	N/C	<input type="checkbox"/>	<input type="checkbox"/>	<input type="checkbox"/>	<input type="checkbox"/>	<input type="checkbox"/>	<input type="checkbox"/>	<input type="checkbox"/>	<input type="checkbox"/>	<input type="checkbox"/>	<input type="checkbox"/>	<input type="checkbox"/>	<input type="checkbox"/>	<input type="checkbox"/>	<input type="checkbox"/>	<input type="checkbox"/>	<input type="checkbox"/>	<input type="checkbox"/>	<input type="checkbox"/>	<input type="checkbox"/>	<input type="checkbox"/>	<input type="checkbox"/>	<input type="checkbox"/>	<input type="checkbox"/>
Base Frame	N/C	<input type="checkbox"/>	<input type="checkbox"/>	<input type="checkbox"/>	<input type="checkbox"/>	<input type="checkbox"/>	<input type="checkbox"/>	<input type="checkbox"/>	<input type="checkbox"/>	<input type="checkbox"/>	<input type="checkbox"/>	<input type="checkbox"/>	<input type="checkbox"/>	<input type="checkbox"/>	<input type="checkbox"/>	<input type="checkbox"/>	<input type="checkbox"/>	<input type="checkbox"/>	<input type="checkbox"/>	<input type="checkbox"/>	<input type="checkbox"/>	<input type="checkbox"/>	<input type="checkbox"/>	<input type="checkbox"/>
Backrest Release Bar	N/C	<input type="checkbox"/> Black Anodized																						
	£30	<input type="checkbox"/> Paint to Match Seat Frame																						
	£30	<input type="checkbox"/> Paint to Match Base Frame																						
	£30	Paint Other Color (Select Option Below)																						
		<input type="checkbox"/>	<input type="checkbox"/>	<input type="checkbox"/>	<input type="checkbox"/>	<input type="checkbox"/>	<input type="checkbox"/>	<input type="checkbox"/>	<input type="checkbox"/>	<input type="checkbox"/>	<input type="checkbox"/>	<input type="checkbox"/>	<input type="checkbox"/>	<input type="checkbox"/>	<input type="checkbox"/>	<input type="checkbox"/>	<input type="checkbox"/>	<input type="checkbox"/>	<input type="checkbox"/>	<input type="checkbox"/>	<input type="checkbox"/>	<input type="checkbox"/>	<input type="checkbox"/>	<input type="checkbox"/>
Mag Color		<input type="checkbox"/>	<input type="checkbox"/>	<input type="checkbox"/>	<input type="checkbox"/>	<input type="checkbox"/>	<input type="checkbox"/>	<input type="checkbox"/>	<input type="checkbox"/>	<input type="checkbox"/>	<input type="checkbox"/>	<input type="checkbox"/>	<input type="checkbox"/>	<input type="checkbox"/>	<input type="checkbox"/>	<input type="checkbox"/>	<input type="checkbox"/>	<input type="checkbox"/>	<input type="checkbox"/>	<input type="checkbox"/>	<input type="checkbox"/>	<input type="checkbox"/>	<input type="checkbox"/>	<input type="checkbox"/>

Highlight Color

Options	Price	Colors																	
		Black	Blue	Gray	Green	Orange	Pink	Purple	Red	Yellow	Black	Blue	Bright Green	Gold	Orange	Pewter	Pink	Purple	Red
Highlights	N/C	<input type="checkbox"/>	<input type="checkbox"/>	<input type="checkbox"/>	<input type="checkbox"/>	<input type="checkbox"/>	<input type="checkbox"/>	<input type="checkbox"/>	<input type="checkbox"/>	<input type="checkbox"/>	<input type="checkbox"/>	<input type="checkbox"/>	<input type="checkbox"/>	<input type="checkbox"/>	<input type="checkbox"/>	<input type="checkbox"/>	<input type="checkbox"/>	<input type="checkbox"/>	<input type="checkbox"/>
Colored Anodizing	Back Plate ¹	N/C	<input type="checkbox"/>	<input type="checkbox"/>	<input type="checkbox"/>	<input type="checkbox"/>	<input type="checkbox"/>	<input type="checkbox"/>	<input type="checkbox"/>	<input type="checkbox"/>	<input type="checkbox"/>	<input type="checkbox"/>	<input type="checkbox"/>	<input type="checkbox"/>	<input type="checkbox"/>	<input type="checkbox"/>	<input type="checkbox"/>	<input type="checkbox"/>	<input type="checkbox"/>
	Caster Fork ²	N/C	<input type="checkbox"/>	<input type="checkbox"/>	<input type="checkbox"/>	<input type="checkbox"/>	<input type="checkbox"/>	<input type="checkbox"/>	<input type="checkbox"/>	<input type="checkbox"/>	<input type="checkbox"/>	<input type="checkbox"/>	<input type="checkbox"/>	<input type="checkbox"/>	<input type="checkbox"/>	<input type="checkbox"/>	<input type="checkbox"/>	<input type="checkbox"/>	<input type="checkbox"/>
	Side Guard Receiver	N/C	<input type="checkbox"/>	<input type="checkbox"/>	<input type="checkbox"/>	<input type="checkbox"/>	<input type="checkbox"/>	<input type="checkbox"/>	<input type="checkbox"/>	<input type="checkbox"/>	<input type="checkbox"/>	<input type="checkbox"/>	<input type="checkbox"/>	<input type="checkbox"/>	<input type="checkbox"/>	<input type="checkbox"/>	<input type="checkbox"/>	<input type="checkbox"/>	<input type="checkbox"/>
	Camber Tube	N/C	<input type="checkbox"/>	<input type="checkbox"/>	<input type="checkbox"/>	<input type="checkbox"/>	<input type="checkbox"/>	<input type="checkbox"/>	<input type="checkbox"/>	<input type="checkbox"/>	<input type="checkbox"/>	<input type="checkbox"/>	<input type="checkbox"/>	<input type="checkbox"/>	<input type="checkbox"/>	<input type="checkbox"/>	<input type="checkbox"/>	<input type="checkbox"/>	<input type="checkbox"/>

¹ Not available with Transit Option
² Available only with Standard or Single Sided

Color Reference	
A	Seat Frame
B	Base Frame
C	Highlights



References

A. Seat Width See Diagram 1

Measured from outside of frame tube on one side to outside of frame tube on other side.

B. Seat Depth See Diagram 3

Measured from front of back posts to front edge of seat sling. Seat sling starts at beginning of bend at front of frame.

C. Sling Position See Diagram 2

In Performance Position (0°), sling is at front of frame to keep chair shorter and more maneuverable. The 1" or 2" seat sling position extends the frame in front of the sling by that amount. Adding more frame can improve stability and provide support to aid in transfers.

D. Front Frame Bend See Diagram 3

Angle between front seat tube and ground.

E. Footrest Taper See Diagram 1

Indicates bend of front frame creating footrest. Taper is measured from outside of seat frame to outside of front tube.

F. Front Seat Height See Diagram 1

Measured from floor to top of seat tube at front of seat sling.

G. Footrest Width See Diagram 1

Measured from inside of front tube to inside of front tube on other side. Footrest width is listed below for each seat width and taper.

Seat Width	Straight	1" Taper	2" Taper	V-Front
Outside Measurement	2" Narrower than Seat Width	4" Narrower than Seat Width	6" Narrower than Seat Width	4" Narrower than Seat Width
12"	9.5"	7.5"		
13"	10.5"	8.5"		
14"	11.5"	9.5"		9.5"
15"	12.5"	10.5"		10.5"
16"	13.5"	11.5"	9.5"	11.5"
17"	14.5"	12.5"	10.5"	12.5"
18"	15.5"	13.5"	11.5"	13.5"
19"	16.5"	14.5"	12.5"	14.5"
20"	17.5"	15.5"	13.5"	15.5"

H. Seat to Footrest Length See Diagram 3

Measured from front edge of seat sling to top rear of footrest. Footrest length of at least 2.5" shorter than front seat height recommended.

I. Rear Seat Height See Diagram 3

Measured from floor to top of seat tube at front of back post.

J. Center of Gravity Preset See Diagram 3

Measured from front of back post to center of rear axle. 0° indicates axle will be directly under back post.

K. Rear Wheel Spacing See Diagram 1

Measured from outside of seat back to inside of rear tire. Adjustable from .75" to 1.75".

Diagram 1

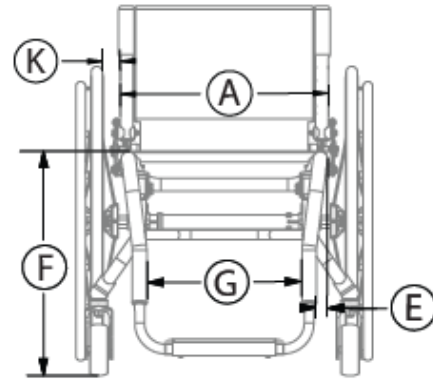


Diagram 2

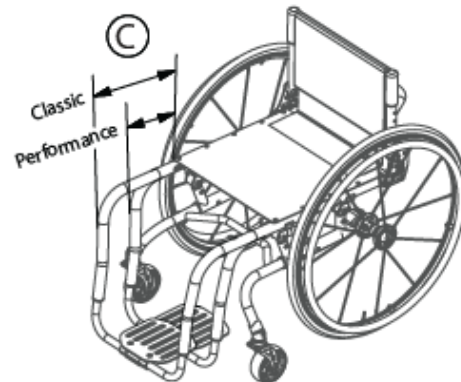
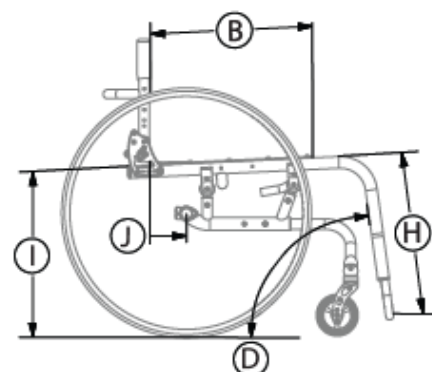


Diagram 3



This form must be opened in Adobe Acrobat. The Submit Form button will not work from most browser windows.



Etac UK 0(121)561-2222 | orders.uk@etac.com |
www.kimobility.com | www.etac.com



Axiom G

Weight capacity: 350 lbs

		Width							
		14"	15"	16"	17"	18"	19"	20"	22"
Retail		£85	£85	£85	£85	£85	£85	£85	£85
Depth	14"	<input type="checkbox"/> [XG1414]							
	15"	<input type="checkbox"/> [XG1415]	<input type="checkbox"/> [XG1515]	<input type="checkbox"/> [XG1615]					
	16"	<input type="checkbox"/> [XG1416]	<input type="checkbox"/> [XG1516]	<input type="checkbox"/> [XG1616]	<input type="checkbox"/> [XG1716]	<input type="checkbox"/> [XG1816]	<input type="checkbox"/> [XG1916]	<input type="checkbox"/> [XG2016]	
	17"	<input type="checkbox"/> [XG1417]	<input type="checkbox"/> [XG1517]	<input type="checkbox"/> [XG1617]	<input type="checkbox"/> [XG1717]	<input type="checkbox"/> [XG1817]	<input type="checkbox"/> [XG1917]	<input type="checkbox"/> [XG2017]	
	18"	<input type="checkbox"/> [XG1418]	<input type="checkbox"/> [XG1518]	<input type="checkbox"/> [XG1618]	<input type="checkbox"/> [XG1718]	<input type="checkbox"/> [XG1818]	<input type="checkbox"/> [XG1918]	<input type="checkbox"/> [XG2018]	<input type="checkbox"/> [XG2218]
	19"		<input type="checkbox"/> [XG1519]	<input type="checkbox"/> [XG1619]	<input type="checkbox"/> [XG1719]	<input type="checkbox"/> [XG1819]	<input type="checkbox"/> [XG1919]	<input type="checkbox"/> [XG2019]	<input type="checkbox"/> [XG2219]
	20"		<input type="checkbox"/> [XG1520]	<input type="checkbox"/> [XG1620]	<input type="checkbox"/> [XG1720]	<input type="checkbox"/> [XG1820]	<input type="checkbox"/> [XG1920]	<input type="checkbox"/> [XG2020]	<input type="checkbox"/> [XG2220]
	21"			<input type="checkbox"/> [XG1621]		<input type="checkbox"/> [XG1821]	<input type="checkbox"/> [XG1921]	<input type="checkbox"/> [XG2021]	<input type="checkbox"/> [XG2221]
22"			<input type="checkbox"/> [XG1622]		<input type="checkbox"/> [XG1822]	<input type="checkbox"/> [XG1922]	<input type="checkbox"/> [XG2022]	<input type="checkbox"/> [XG2222]	

Axiom G - General Use Cushion with Extra Outer Cover

Weight capacity: 350 lbs

		Width							
		14"	15"	16"	17"	18"	19"	20"	22"
Retail		£125	£125	£125	£125	£125	£125	£125	£125
Depth	14"	<input type="checkbox"/> [XG1414C2]							
	15"	<input type="checkbox"/> [XG1415C2]	<input type="checkbox"/> [XG1515C2]	<input type="checkbox"/> [XG1615C2]					
	16"	<input type="checkbox"/> [XG1416C2]	<input type="checkbox"/> [XG1516C2]	<input type="checkbox"/> [XG1616C2]	<input type="checkbox"/> [XG1716C2]	<input type="checkbox"/> [XG1816C2]	<input type="checkbox"/> [XG1916C2]	<input type="checkbox"/> [XG2016C2]	
	17"	<input type="checkbox"/> [XG1417C2]	<input type="checkbox"/> [XG1517C2]	<input type="checkbox"/> [XG1617C2]	<input type="checkbox"/> [XG1717C2]	<input type="checkbox"/> [XG1817C2]	<input type="checkbox"/> [XG1917C2]	<input type="checkbox"/> [XG2017C2]	
	18"	<input type="checkbox"/> [XG1418C2]	<input type="checkbox"/> [XG1518C2]	<input type="checkbox"/> [XG1618C2]	<input type="checkbox"/> [XG1718C2]	<input type="checkbox"/> [XG1818C2]	<input type="checkbox"/> [XG1918C2]	<input type="checkbox"/> [XG2018C2]	<input type="checkbox"/> [XG2218C2]
	19"		<input type="checkbox"/> [XG1519C2]	<input type="checkbox"/> [XG1619C2]	<input type="checkbox"/> [XG1719C2]	<input type="checkbox"/> [XG1819C2]	<input type="checkbox"/> [XG1919C2]	<input type="checkbox"/> [XG2019C2]	<input type="checkbox"/> [XG2219C2]
	20"		<input type="checkbox"/> [XG1520C2]	<input type="checkbox"/> [XG1620C2]	<input type="checkbox"/> [XG1720C2]	<input type="checkbox"/> [XG1820C2]	<input type="checkbox"/> [XG1920C2]	<input type="checkbox"/> [XG2020C2]	<input type="checkbox"/> [XG2220C2]
	21"			<input type="checkbox"/> [XG1621C2]		<input type="checkbox"/> [XG1821C2]	<input type="checkbox"/> [XG1921C2]	<input type="checkbox"/> [XG2021C2]	<input type="checkbox"/> [XG2221C2]
22"			<input type="checkbox"/> [XG1622C2]		<input type="checkbox"/> [XG1822C2]	<input type="checkbox"/> [XG1922C2]	<input type="checkbox"/> [XG2022C2]	<input type="checkbox"/> [XG2222C2]	

This form must be opened in Adobe Acrobat. The Submit Form button will not work from most browser windows.



Etac UK 0(121)561-2222 | orders.uk@etac.com |
www.kimobility.com | www.etac.com



Axiom S - Skin Protection Cushion

Weight capacity: 350 lbs

		Width							
		14"	15"	16"	17"	18"	19"	20"	22"
	Retail	£120	£120	£120	£120	£120	£120	£120	£120
Depth	14"	<input type="checkbox"/> [XS1414]							
	15"	<input type="checkbox"/> [XS1415]	<input type="checkbox"/> [XS1515]	<input type="checkbox"/> [XS1615]					
	16"	<input type="checkbox"/> [XS1416]	<input type="checkbox"/> [XS1516]	<input type="checkbox"/> [XS1616]	<input type="checkbox"/> [XS1716]	<input type="checkbox"/> [XS1816]	<input type="checkbox"/> [XS1916]	<input type="checkbox"/> [XS2016]	
	17"	<input type="checkbox"/> [XS1417]	<input type="checkbox"/> [XS1517]	<input type="checkbox"/> [XS1617]	<input type="checkbox"/> [XS1717]	<input type="checkbox"/> [XS1817]	<input type="checkbox"/> [XS1917]	<input type="checkbox"/> [XS2017]	
	18"	<input type="checkbox"/> [XS1418]	<input type="checkbox"/> [XS1518]	<input type="checkbox"/> [XS1618]	<input type="checkbox"/> [XS1718]	<input type="checkbox"/> [XS1818]	<input type="checkbox"/> [XS1918]	<input type="checkbox"/> [XS2018]	<input type="checkbox"/> [XS2218]
	19"		<input type="checkbox"/> [XS1519]	<input type="checkbox"/> [XS1619]	<input type="checkbox"/> [XS1719]	<input type="checkbox"/> [XS1819]	<input type="checkbox"/> [XS1919]	<input type="checkbox"/> [XS2019]	<input type="checkbox"/> [XS2219]
	20"		<input type="checkbox"/> [XS1520]	<input type="checkbox"/> [XS1620]	<input type="checkbox"/> [XS1720]	<input type="checkbox"/> [XS1820]	<input type="checkbox"/> [XS1920]	<input type="checkbox"/> [XS2020]	<input type="checkbox"/> [XS2220]
	21"			<input type="checkbox"/> [XS1621]		<input type="checkbox"/> [XS1821]	<input type="checkbox"/> [XS1921]	<input type="checkbox"/> [XS2021]	<input type="checkbox"/> [XS2221]
22"			<input type="checkbox"/> [XS1622]		<input type="checkbox"/> [XS1822]	<input type="checkbox"/> [XS1922]	<input type="checkbox"/> [XS2022]	<input type="checkbox"/> [XS2222]	

Axiom S - Skin Protection Cushion with Extra Outer Cover

Weight capacity: 350 lbs

		Width							
		14"	15"	16"	17"	18"	19"	20"	22"
	Retail	£160	£160	£160	£160	£160	£160	£160	£160
Depth	14"	<input type="checkbox"/> [XS1414C2]							
	15"	<input type="checkbox"/> [XS1415C2]	<input type="checkbox"/> [XS1515C2]	<input type="checkbox"/> [XS1615C2]					
	16"	<input type="checkbox"/> [XS1416C2]	<input type="checkbox"/> [XS1516C2]	<input type="checkbox"/> [XS1616C2]	<input type="checkbox"/> [XS1716C2]	<input type="checkbox"/> [XS1816C2]	<input type="checkbox"/> [XS1916C2]	<input type="checkbox"/> [XS2016C2]	
	17"	<input type="checkbox"/> [XS1417C2]	<input type="checkbox"/> [XS1517C2]	<input type="checkbox"/> [XS1617C2]	<input type="checkbox"/> [XS1717C2]	<input type="checkbox"/> [XS1817C2]	<input type="checkbox"/> [XS1917C2]	<input type="checkbox"/> [XS2017C2]	
	18"	<input type="checkbox"/> [XS1418C2]	<input type="checkbox"/> [XS1518C2]	<input type="checkbox"/> [XS1618C2]	<input type="checkbox"/> [XS1718C2]	<input type="checkbox"/> [XS1818C2]	<input type="checkbox"/> [XS1918C2]	<input type="checkbox"/> [XS2018C2]	<input type="checkbox"/> [XS2218C2]
	19"		<input type="checkbox"/> [XS1519C2]	<input type="checkbox"/> [XS1619C2]	<input type="checkbox"/> [XS1719C2]	<input type="checkbox"/> [XS1819C2]	<input type="checkbox"/> [XS1919C2]	<input type="checkbox"/> [XS2019C2]	<input type="checkbox"/> [XS2219C2]
	20"		<input type="checkbox"/> [XS1520C2]	<input type="checkbox"/> [XS1620C2]	<input type="checkbox"/> [XS1720C2]	<input type="checkbox"/> [XS1820C2]	<input type="checkbox"/> [XS1920C2]	<input type="checkbox"/> [XS2020C2]	<input type="checkbox"/> [XS2220C2]
	21"			<input type="checkbox"/> [XS1621C2]		<input type="checkbox"/> [XS1821C2]	<input type="checkbox"/> [XS1921C2]	<input type="checkbox"/> [XS2021C2]	<input type="checkbox"/> [XS2221C2]
22"			<input type="checkbox"/> [XS1622C2]		<input type="checkbox"/> [XS1822C2]	<input type="checkbox"/> [XS1922C2]	<input type="checkbox"/> [XS2022C2]	<input type="checkbox"/> [XS2222C2]	

Axiom P - Positioning Cushion

Weight capacity: 350 lbs

		Width							
		14"	15"	16"	17"	18"	19"	20"	22"
	Retail	£170	£170	£170	£170	£170	£170	£170	£170
Depth	14"	<input type="checkbox"/> [XP1414]							
	15"	<input type="checkbox"/> [XP1415]	<input type="checkbox"/> [XP1515]	<input type="checkbox"/> [XP1615]					
	16"	<input type="checkbox"/> [XP1416]	<input type="checkbox"/> [XP1516]	<input type="checkbox"/> [XP1616]	<input type="checkbox"/> [XP1716]	<input type="checkbox"/> [XP1816]	<input type="checkbox"/> [XP1916]	<input type="checkbox"/> [XP2016]	
	17"	<input type="checkbox"/> [XP1417]	<input type="checkbox"/> [XP1517]	<input type="checkbox"/> [XP1617]	<input type="checkbox"/> [XP1717]	<input type="checkbox"/> [XP1817]	<input type="checkbox"/> [XP1917]	<input type="checkbox"/> [XP2017]	
	18"	<input type="checkbox"/> [XP1418]	<input type="checkbox"/> [XP1518]	<input type="checkbox"/> [XP1618]	<input type="checkbox"/> [XP1718]	<input type="checkbox"/> [XP1818]	<input type="checkbox"/> [XP1918]	<input type="checkbox"/> [XP2018]	<input type="checkbox"/> [XP2218]
	19"		<input type="checkbox"/> [XP1519]	<input type="checkbox"/> [XP1619]	<input type="checkbox"/> [XP1719]	<input type="checkbox"/> [XP1819]	<input type="checkbox"/> [XP1919]	<input type="checkbox"/> [XP2019]	<input type="checkbox"/> [XP2219]
	20"		<input type="checkbox"/> [XP1520]	<input type="checkbox"/> [XP1620]	<input type="checkbox"/> [XP1720]	<input type="checkbox"/> [XP1820]	<input type="checkbox"/> [XP1920]	<input type="checkbox"/> [XP2020]	<input type="checkbox"/> [XP2220]
	21"			<input type="checkbox"/> [XP1621]		<input type="checkbox"/> [XP1821]	<input type="checkbox"/> [XP1921]	<input type="checkbox"/> [XP2021]	<input type="checkbox"/> [XP2221]
22"			<input type="checkbox"/> [XP1622]		<input type="checkbox"/> [XP1822]	<input type="checkbox"/> [XP1922]	<input type="checkbox"/> [XP2022]	<input type="checkbox"/> [XP2222]	

This form must be opened in Adobe Acrobat. The Submit Form button will not work from most browser windows.



Etac UK 0(121)561-2222 | orders.uk@etac.com |
www.kimobility.com | www.etac.com



Axiom P - Positioning Cushion with Extra Outer Cover

Weight capacity: 350 lbs

		Width							
		14"	15"	16"	17"	18"	19"	20"	22"
Retail		£210	£210	£210	£210	£210	£210	£210	£210
Depth	14"	<input type="checkbox"/> [XP1414C2]							
	15"	<input type="checkbox"/> [XP1415C2]	<input type="checkbox"/> [XP1515C2]	<input type="checkbox"/> [XP1615C2]					
	16"	<input type="checkbox"/> [XP1416C2]	<input type="checkbox"/> [XP1516C2]	<input type="checkbox"/> [XP1616C2]	<input type="checkbox"/> [XP1716C2]	<input type="checkbox"/> [XP1816C2]	<input type="checkbox"/> [XP1916C2]	<input type="checkbox"/> [XP2016C2]	
	17"	<input type="checkbox"/> [XP1417C2]	<input type="checkbox"/> [XP1517C2]	<input type="checkbox"/> [XP1617C2]	<input type="checkbox"/> [XP1717C2]	<input type="checkbox"/> [XP1817C2]	<input type="checkbox"/> [XP1917C2]	<input type="checkbox"/> [XP2017C2]	
	18"	<input type="checkbox"/> [XP1418C2]	<input type="checkbox"/> [XP1518C2]	<input type="checkbox"/> [XP1618C2]	<input type="checkbox"/> [XP1718C2]	<input type="checkbox"/> [XP1818C2]	<input type="checkbox"/> [XP1918C2]	<input type="checkbox"/> [XP2018C2]	<input type="checkbox"/> [XP2218C2]
	19"		<input type="checkbox"/> [XP1519C2]	<input type="checkbox"/> [XP1619C2]	<input type="checkbox"/> [XP1719C2]	<input type="checkbox"/> [XP1819C2]	<input type="checkbox"/> [XP1919C2]	<input type="checkbox"/> [XP2019C2]	<input type="checkbox"/> [XP2219C2]
	20"		<input type="checkbox"/> [XP1520C2]	<input type="checkbox"/> [XP1620C2]	<input type="checkbox"/> [XP1720C2]	<input type="checkbox"/> [XP1820C2]	<input type="checkbox"/> [XP1920C2]	<input type="checkbox"/> [XP2020C2]	<input type="checkbox"/> [XP2220C2]
	21"			<input type="checkbox"/> [XP1621C2]		<input type="checkbox"/> [XP1821C2]	<input type="checkbox"/> [XP1921C2]	<input type="checkbox"/> [XP2021C2]	<input type="checkbox"/> [XP2221C2]
22"			<input type="checkbox"/> [XP1622C2]		<input type="checkbox"/> [XP1822C2]	<input type="checkbox"/> [XP1922C2]	<input type="checkbox"/> [XP2022C2]	<input type="checkbox"/> [XP2222C2]	

Axiom SP Visco - Skin Protection & Positioning Cushion

Weight capacity: 350 lbs

		Width								
		14"	15"	16"	17"	18"	19"	20"	21"	22"
Retail		£350	£350	£350	£350	£350	£350	£350	£350	£350
Depth	14"	<input type="checkbox"/> [XSP1414V]	<input type="checkbox"/> [XSP1514V]	<input type="checkbox"/> [XSP1614V]						
	15"	<input type="checkbox"/> [XSP1415V]	<input type="checkbox"/> [XSP1515V]	<input type="checkbox"/> [XSP1615V]	<input type="checkbox"/> [XSP1715V]	<input type="checkbox"/> [XSP1815V]				
	16"	<input type="checkbox"/> [XSP1416V]	<input type="checkbox"/> [XSP1516V]	<input type="checkbox"/> [XSP1616V]	<input type="checkbox"/> [XSP1716V]	<input type="checkbox"/> [XSP1816V]	<input type="checkbox"/> [XSP1916V]	<input type="checkbox"/> [XSP2016V]		<input type="checkbox"/> [XSP2216V]
	17"	<input type="checkbox"/> [XSP1417V]	<input type="checkbox"/> [XSP1517V]	<input type="checkbox"/> [XSP1617V]	<input type="checkbox"/> [XSP1717V]	<input type="checkbox"/> [XSP1817V]	<input type="checkbox"/> [XSP1917V]	<input type="checkbox"/> [XSP2017V]		<input type="checkbox"/> [XSP2217V]
	18"	<input type="checkbox"/> [XSP1418V]	<input type="checkbox"/> [XSP1518V]	<input type="checkbox"/> [XSP1618V]	<input type="checkbox"/> [XSP1718V]	<input type="checkbox"/> [XSP1818V]	<input type="checkbox"/> [XSP1918V]	<input type="checkbox"/> [XSP2018V]	<input type="checkbox"/> [XSP2118V]	<input type="checkbox"/> [XSP2218V]
	19"	<input type="checkbox"/> [XSP1419V]	<input type="checkbox"/> [XSP1519V]	<input type="checkbox"/> [XSP1619V]	<input type="checkbox"/> [XSP1719V]	<input type="checkbox"/> [XSP1819V]	<input type="checkbox"/> [XSP1919V]	<input type="checkbox"/> [XSP2019V]	<input type="checkbox"/> [XSP2119V]	<input type="checkbox"/> [XSP2219V]
	20"	<input type="checkbox"/> [XSP1420V]	<input type="checkbox"/> [XSP1520V]	<input type="checkbox"/> [XSP1620V]	<input type="checkbox"/> [XSP1720V]	<input type="checkbox"/> [XSP1820V]	<input type="checkbox"/> [XSP1920V]	<input type="checkbox"/> [XSP2020V]	<input type="checkbox"/> [XSP2120V]	<input type="checkbox"/> [XSP2220V]
	21"		<input type="checkbox"/> [XSP1521V]	<input type="checkbox"/> [XSP1621V]	<input type="checkbox"/> [XSP1721V]	<input type="checkbox"/> [XSP1821V]	<input type="checkbox"/> [XSP1921V]	<input type="checkbox"/> [XSP2021V]	<input type="checkbox"/> [XSP2121V]	<input type="checkbox"/> [XSP2221V]
22"		<input type="checkbox"/> [XSP1522V]	<input type="checkbox"/> [XSP1622V]	<input type="checkbox"/> [XSP1722V]	<input type="checkbox"/> [XSP1822V]	<input type="checkbox"/> [XSP1922V]	<input type="checkbox"/> [XSP2022V]	<input type="checkbox"/> [XSP2122V]	<input type="checkbox"/> [XSP2222V]	

Axiom SP Visco - Skin Protection & Positioning Cushion with Extra Outer Cover

Weight capacity: 350 lbs

		Width								
		14"	15"	16"	17"	18"	19"	20"	21"	22"
Retail		£410	£410	£410	£410	£410	£410	£410	£410	£410
Depth	14"	<input type="checkbox"/> [XSP1414VC2]	<input type="checkbox"/> [XSP1514VC2]	<input type="checkbox"/> [XSP1614VC2]						
	15"	<input type="checkbox"/> [XSP1415VC2]	<input type="checkbox"/> [XSP1515VC2]	<input type="checkbox"/> [XSP1615VC2]	<input type="checkbox"/> [XSP1715VC2]	<input type="checkbox"/> [XSP1815VC2]				
	16"	<input type="checkbox"/> [XSP1416VC2]	<input type="checkbox"/> [XSP1516VC2]	<input type="checkbox"/> [XSP1616VC2]	<input type="checkbox"/> [XSP1716VC2]	<input type="checkbox"/> [XSP1816VC2]	<input type="checkbox"/> [XSP1916VC2]	<input type="checkbox"/> [XSP2016VC2]		<input type="checkbox"/> [XSP2216VC2]
	17"	<input type="checkbox"/> [XSP1417VC2]	<input type="checkbox"/> [XSP1517VC2]	<input type="checkbox"/> [XSP1617VC2]	<input type="checkbox"/> [XSP1717VC2]	<input type="checkbox"/> [XSP1817VC2]	<input type="checkbox"/> [XSP1917VC2]	<input type="checkbox"/> [XSP2017VC2]		<input type="checkbox"/> [XSP2217VC2]
	18"	<input type="checkbox"/> [XSP1418VC2]	<input type="checkbox"/> [XSP1518VC2]	<input type="checkbox"/> [XSP1618VC2]	<input type="checkbox"/> [XSP1718VC2]	<input type="checkbox"/> [XSP1818VC2]	<input type="checkbox"/> [XSP1918VC2]	<input type="checkbox"/> [XSP2018VC2]	<input type="checkbox"/> [XSP2118VC2]	<input type="checkbox"/> [XSP2218VC2]
	19"	<input type="checkbox"/> [XSP1419VC2]	<input type="checkbox"/> [XSP1519VC2]	<input type="checkbox"/> [XSP1619VC2]	<input type="checkbox"/> [XSP1719VC2]	<input type="checkbox"/> [XSP1819VC2]	<input type="checkbox"/> [XSP1919VC2]	<input type="checkbox"/> [XSP2019VC2]	<input type="checkbox"/> [XSP2119VC2]	<input type="checkbox"/> [XSP2219VC2]
	20"	<input type="checkbox"/> [XSP1420VC2]	<input type="checkbox"/> [XSP1520VC2]	<input type="checkbox"/> [XSP1620VC2]	<input type="checkbox"/> [XSP1720VC2]	<input type="checkbox"/> [XSP1820VC2]	<input type="checkbox"/> [XSP1920VC2]	<input type="checkbox"/> [XSP2020VC2]	<input type="checkbox"/> [XSP2120VC2]	<input type="checkbox"/> [XSP2220VC2]
	21"		<input type="checkbox"/> [XSP1521VC2]	<input type="checkbox"/> [XSP1621VC2]	<input type="checkbox"/> [XSP1721VC2]	<input type="checkbox"/> [XSP1821VC2]	<input type="checkbox"/> [XSP1921VC2]	<input type="checkbox"/> [XSP2021VC2]	<input type="checkbox"/> [XSP2121VC2]	<input type="checkbox"/> [XSP2221VC2]
22"		<input type="checkbox"/> [XSP1522VC2]	<input type="checkbox"/> [XSP1622VC2]	<input type="checkbox"/> [XSP1722VC2]	<input type="checkbox"/> [XSP1822VC2]	<input type="checkbox"/> [XSP1922VC2]	<input type="checkbox"/> [XSP2022VC2]	<input type="checkbox"/> [XSP2122VC2]	<input type="checkbox"/> [XSP2222VC2]	

This form must be opened in Adobe Acrobat. The Submit Form button will not work from most browser windows.



Etac UK 0(121)561-2222 | orders.uk@etac.com |
www.kimobility.com | www.etac.com



Axiom SP Fluid - Skin Protection & Positioning Cushion

Weight capacity: 350 lbs

		Width								
		14"	15"	16"	17"	18"	19"	20"	21"	22"
Retail		£320	£320	£320	£320	£320	£320	£320	£320	£320
Depth	14"	<input type="checkbox"/> [XSP1414F]	<input type="checkbox"/> [XSP1514F]	<input type="checkbox"/> [XSP1614F]						
	15"	<input type="checkbox"/> [XSP1415F]	<input type="checkbox"/> [XSP1515F]	<input type="checkbox"/> [XSP1615F]	<input type="checkbox"/> [XSP1715F]	<input type="checkbox"/> [XSP1815F]				
	16"	<input type="checkbox"/> [XSP1416F]	<input type="checkbox"/> [XSP1516F]	<input type="checkbox"/> [XSP1616F]	<input type="checkbox"/> [XSP1716F]	<input type="checkbox"/> [XSP1816F]	<input type="checkbox"/> [XSP1916F]	<input type="checkbox"/> [XSP2016F]		<input type="checkbox"/> [XSP2216F]
	17"	<input type="checkbox"/> [XSP1417F]	<input type="checkbox"/> [XSP1517F]	<input type="checkbox"/> [XSP1617F]	<input type="checkbox"/> [XSP1717F]	<input type="checkbox"/> [XSP1817F]	<input type="checkbox"/> [XSP1917F]	<input type="checkbox"/> [XSP2017F]		<input type="checkbox"/> [XSP2217F]
	18"	<input type="checkbox"/> [XSP1418F]	<input type="checkbox"/> [XSP1518F]	<input type="checkbox"/> [XSP1618F]	<input type="checkbox"/> [XSP1718F]	<input type="checkbox"/> [XSP1818F]	<input type="checkbox"/> [XSP1918F]	<input type="checkbox"/> [XSP2018F]	<input type="checkbox"/> [XSP2118F]	<input type="checkbox"/> [XSP2218F]
	19"	<input type="checkbox"/> [XSP1419F]	<input type="checkbox"/> [XSP1519F]	<input type="checkbox"/> [XSP1619F]	<input type="checkbox"/> [XSP1719F]	<input type="checkbox"/> [XSP1819F]	<input type="checkbox"/> [XSP1919F]	<input type="checkbox"/> [XSP2019F]	<input type="checkbox"/> [XSP2119F]	<input type="checkbox"/> [XSP2219F]
	20"	<input type="checkbox"/> [XSP1420F]	<input type="checkbox"/> [XSP1520F]	<input type="checkbox"/> [XSP1620F]	<input type="checkbox"/> [XSP1720F]	<input type="checkbox"/> [XSP1820F]	<input type="checkbox"/> [XSP1920F]	<input type="checkbox"/> [XSP2020F]	<input type="checkbox"/> [XSP2120F]	<input type="checkbox"/> [XSP2220F]
	21"		<input type="checkbox"/> [XSP1521F]	<input type="checkbox"/> [XSP1621F]	<input type="checkbox"/> [XSP1721F]	<input type="checkbox"/> [XSP1821F]	<input type="checkbox"/> [XSP1921F]	<input type="checkbox"/> [XSP2021F]	<input type="checkbox"/> [XSP2121F]	<input type="checkbox"/> [XSP2221F]
	22"		<input type="checkbox"/> [XSP1522F]	<input type="checkbox"/> [XSP1622F]	<input type="checkbox"/> [XSP1722F]	<input type="checkbox"/> [XSP1822F]	<input type="checkbox"/> [XSP1922F]	<input type="checkbox"/> [XSP2022F]	<input type="checkbox"/> [XSP2122F]	<input type="checkbox"/> [XSP2222F]

Axiom SP Fluid - Skin Protection & Positioning Cushion with Extra Outer Cover

Weight capacity: 350 lbs

		Width								
		14"	15"	16"	17"	18"	19"	20"	21"	22"
Retail		£360	£360	£360	£360	£360	£360	£360	£360	£360
Depth	14"	<input type="checkbox"/> [XSP1414FC2]	<input type="checkbox"/> [XSP1514FC2]	<input type="checkbox"/> [XSP1614FC2]						
	15"	<input type="checkbox"/> [XSP1415FC2]	<input type="checkbox"/> [XSP1515FC2]	<input type="checkbox"/> [XSP1615FC2]	<input type="checkbox"/> [XSP1715FC2]	<input type="checkbox"/> [XSP1815FC2]				
	16"	<input type="checkbox"/> [XSP1416FC2]	<input type="checkbox"/> [XSP1516FC2]	<input type="checkbox"/> [XSP1616FC2]	<input type="checkbox"/> [XSP1716FC2]	<input type="checkbox"/> [XSP1816FC2]	<input type="checkbox"/> [XSP1916FC2]	<input type="checkbox"/> [XSP2016FC2]		<input type="checkbox"/> [XSP2216FC2]
	17"	<input type="checkbox"/> [XSP1417FC2]	<input type="checkbox"/> [XSP1517FC2]	<input type="checkbox"/> [XSP1617FC2]	<input type="checkbox"/> [XSP1717FC2]	<input type="checkbox"/> [XSP1817FC2]	<input type="checkbox"/> [XSP1917FC2]	<input type="checkbox"/> [XSP2017FC2]		<input type="checkbox"/> [XSP2217FC2]
	18"	<input type="checkbox"/> [XSP1418FC2]	<input type="checkbox"/> [XSP1518FC2]	<input type="checkbox"/> [XSP1618FC2]	<input type="checkbox"/> [XSP1718FC2]	<input type="checkbox"/> [XSP1818FC2]	<input type="checkbox"/> [XSP1918FC2]	<input type="checkbox"/> [XSP2018FC2]	<input type="checkbox"/> [XSP2118FC2]	<input type="checkbox"/> [XSP2218FC2]
	19"	<input type="checkbox"/> [XSP1419FC2]	<input type="checkbox"/> [XSP1519FC2]	<input type="checkbox"/> [XSP1619FC2]	<input type="checkbox"/> [XSP1719FC2]	<input type="checkbox"/> [XSP1819FC2]	<input type="checkbox"/> [XSP1919FC2]	<input type="checkbox"/> [XSP2019FC2]	<input type="checkbox"/> [XSP2119FC2]	<input type="checkbox"/> [XSP2219FC2]
	20"	<input type="checkbox"/> [XSP1420FC2]	<input type="checkbox"/> [XSP1520FC2]	<input type="checkbox"/> [XSP1620FC2]	<input type="checkbox"/> [XSP1720FC2]	<input type="checkbox"/> [XSP1820FC2]	<input type="checkbox"/> [XSP1920FC2]	<input type="checkbox"/> [XSP2020FC2]	<input type="checkbox"/> [XSP2120FC2]	<input type="checkbox"/> [XSP2220FC2]
	21"		<input type="checkbox"/> [XSP1521FC2]	<input type="checkbox"/> [XSP1621FC2]	<input type="checkbox"/> [XSP1721FC2]	<input type="checkbox"/> [XSP1821FC2]	<input type="checkbox"/> [XSP1921FC2]	<input type="checkbox"/> [XSP2021FC2]	<input type="checkbox"/> [XSP2121FC2]	<input type="checkbox"/> [XSP2221FC2]
	22"		<input type="checkbox"/> [XSP1522FC2]	<input type="checkbox"/> [XSP1622FC2]	<input type="checkbox"/> [XSP1722FC2]	<input type="checkbox"/> [XSP1822FC2]	<input type="checkbox"/> [XSP1922FC2]	<input type="checkbox"/> [XSP2022FC2]	<input type="checkbox"/> [XSP2122FC2]	<input type="checkbox"/> [XSP2222FC2]

This form must be opened in Adobe Acrobat. The Submit Form button will not work from most browser windows.

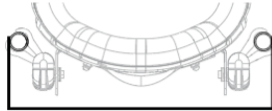


Phone (800) 981-1540 | Fax (715) 254-0996
 sales@kimobility.com | www.kimobility.com



Axiom Back Width	Fits Back Frame Widths	
	Inner Slots	Outer Slots
12" (30.5cm)	11" (28.0cm)	12" -14" (30.5cm - 35.5cm)
14" (35.5cm)	12" -13" (30.5cm - 33.0cm)	14" -16" (35.5cm - 40.5cm)
16" (40.5cm)	14" -15" (35.5cm - 38.0cm)	16" -18" (40.5cm - 45.5cm)
18" (45.5cm)	16" - 17" (40.5cm - 43.0cm)	18" - 20" (45.5cm - 51.0cm)
20" (51.0cm)	18" -19" (45.5cm - 48.5cm)	20" -22" (51.0cm - 56.0cm)
22" (56.0cm)	20" -21" (51.0cm - 53.5cm)	22" -24" (56.0cm - 61.0cm)

Hardware Description	Code
Improved DEX Hardware, removable adjustable hardware (300 lb max user weight)	DEX
New BTX Hardware, removable adjustable hardware not recommended for, or installed on Ultralight Rigid Frame Wheelchairs (400 lb max user weight)	BTX
New Fixed Hardware, non-removeable hardware up to (300 lb max user weight)	FXT



Axiom Back

Hardware is included with back. Low Back selections are not available with headrests, modifications, or posture supports.

Axiom Posterior Back (PB)

		Width						
		12"	14"	16"	18"	20"	22"	
Retail		£550	£550	£550	£550	£550	£550	
Height	Low	8"	<input type="checkbox"/> [AXPB1208]	<input type="checkbox"/> [AXPB1408]	<input type="checkbox"/> [AXPB1608]	<input type="checkbox"/> [AXPB1808]	<input type="checkbox"/> [AXPB2008]	
		10"		<input type="checkbox"/> [AXPB1410]	<input type="checkbox"/> [AXPB1610]	<input type="checkbox"/> [AXPB1810]	<input type="checkbox"/> [AXPB2010]	<input type="checkbox"/> [AXPB2210]
		12"	<input type="checkbox"/> [AXPB1212]	<input type="checkbox"/> [AXPB1412]	<input type="checkbox"/> [AXPB1612]	<input type="checkbox"/> [AXPB1812]	<input type="checkbox"/> [AXPB2012]	
	Mid	14"		<input type="checkbox"/> [AXPB1414]	<input type="checkbox"/> [AXPB1614]	<input type="checkbox"/> [AXPB1814]	<input type="checkbox"/> [AXPB2014]	<input type="checkbox"/> [AXPB2214]
		16"	<input type="checkbox"/> [AXPB1216]	<input type="checkbox"/> [AXPB1416]	<input type="checkbox"/> [AXPB1616]	<input type="checkbox"/> [AXPB1816]	<input type="checkbox"/> [AXPB2016]	
		18"		<input type="checkbox"/> [AXPB1418]	<input type="checkbox"/> [AXPB1618]	<input type="checkbox"/> [AXPB1818]	<input type="checkbox"/> [AXPB2018]	<input type="checkbox"/> [AXPB2218]

Back Hardware

FXT Hardware is not available with Lateral Support Options

DEX Hardware [DEX] BTX Hardware [BTX] FXT Hardware [FXT] _____ N/C

This form must be opened in Adobe Acrobat. The Submit Form button will not work from most browser windows.



Phone (800) 981-1540 | Fax (715) 254-0996
 sales@kimobility.com | www.kimobility.com



Lateral Support

Pair	Description	Item Code	Pair
<input type="checkbox"/>	3 x 4 Lateral Pads with Fixed Mounting Hardware - Pair	PBLF3x4PP	£295
<input type="checkbox"/>	4 x 5 Lateral Pads with Fixed Mounting Hardware - Pair	PBLF4x5PP	£295
<input type="checkbox"/>	3 x 4 Lateral Pads with Swing Away Mounting Hardware - Pair	PBLS3x4PP	£628
<input type="checkbox"/>	4 x 5 Lateral Pads with Swing Away Mounting Hardware - Pair	PBLS4x5PP	£628
<input type="checkbox"/>	3 x 4 Lateral Pads with Adjustable Swing Away Mounting Hardware - Pair	PBLAS3x4PP	£628
<input type="checkbox"/>	4 x 5 Lateral Pads with Adjustable Swing Away Mounting Hardware - Pair	PBLAS4x5PP	£628

Axiom Posterior Lateral Back (PL)

		Width						
		12"	14"	16"	18"	20"	22"	
Retail		£550	£550	£550	£550	£550	£550	
Height	Low	8"	<input type="checkbox"/> [AXPL1208]	<input type="checkbox"/> [AXPL1408]	<input type="checkbox"/> [AXPL1608]	<input type="checkbox"/> [AXPL1808]	<input type="checkbox"/> [AXPL2008]	
		10"		<input type="checkbox"/> [AXPL1410]	<input type="checkbox"/> [AXPL1610]	<input type="checkbox"/> [AXPL1810]	<input type="checkbox"/> [AXPL2010]	<input type="checkbox"/> [AXPL2210]
		12"	<input type="checkbox"/> [AXPL1212]	<input type="checkbox"/> [AXPL1412]	<input type="checkbox"/> [AXPL1612]	<input type="checkbox"/> [AXPL1812]	<input type="checkbox"/> [AXPL2012]	
	Mid	14"		<input type="checkbox"/> [AXPL1414]	<input type="checkbox"/> [AXPL1614]	<input type="checkbox"/> [AXPL1814]	<input type="checkbox"/> [AXPL2014]	<input type="checkbox"/> [AXPL2214]
		16"	<input type="checkbox"/> [AXPL1216]	<input type="checkbox"/> [AXPL1416]	<input type="checkbox"/> [AXPL1616]	<input type="checkbox"/> [AXPL1816]	<input type="checkbox"/> [AXPL2016]	
		18"		<input type="checkbox"/> [AXPL1418]	<input type="checkbox"/> [AXPL1618]	<input type="checkbox"/> [AXPL1818]	<input type="checkbox"/> [AXPL2018]	<input type="checkbox"/> [AXPL2218]
	Tall	20"	<input type="checkbox"/> [AXPL1220]	<input type="checkbox"/> [AXPL1420]	<input type="checkbox"/> [AXPL1620]	<input type="checkbox"/> [AXPL1820]	<input type="checkbox"/> [AXPL2020]	
22"			<input type="checkbox"/> [AXPL1422]	<input type="checkbox"/> [AXPL1622]	<input type="checkbox"/> [AXPL1822]	<input type="checkbox"/> [AXPL2022]	<input type="checkbox"/> [AXPL2222]	

Back Hardware

FXT Hardware is not available with Lateral Support Options

DEX Hardware [DEX] BTX Hardware [BTX] FXT Hardware [FXT] _____ N/C

Lateral Support

Pair	Description	Item Code	Pair
<input type="checkbox"/>	3 x 4 Lateral Pads with Fixed Mounting Hardware - Pair	PLLF3x4PP	£295
<input type="checkbox"/>	4 x 5 Lateral Pads with Fixed Mounting Hardware - Pair	PLLF4x5PP	£295
<input type="checkbox"/>	3 x 4 Lateral Pads with Swing Away Mounting Hardware - Pair	PLLS3x4PP	£628
<input type="checkbox"/>	4 x 5 Lateral Pads with Swing Away Mounting Hardware - Pair	PLLS4x5PP	£628
<input type="checkbox"/>	3 x 4 Lateral Pads with Adjustable Swing Away Mounting Hardware - Pair	PLLAS3x4PP	£628
<input type="checkbox"/>	4 x 5 Lateral Pads with Adjustable Swing Away Mounting Hardware - Pair	PLLAS4x5PP	£628

Axiom Deep Lateral Back (DL)

		Width						
		12"	14"	16"	18"	20"	22"	
Retail		£550	£550	£550	£550	£550	£550	
Height	Mid	14"	<input type="checkbox"/> [AXDL1214]	<input type="checkbox"/> [AXDL1414]	<input type="checkbox"/> [AXDL1614]	<input type="checkbox"/> [AXDL1814]	<input type="checkbox"/> [AXDL2014]	<input type="checkbox"/> [AXDL2214]
		16"		<input type="checkbox"/> [AXDL1416]	<input type="checkbox"/> [AXDL1616]	<input type="checkbox"/> [AXDL1816]	<input type="checkbox"/> [AXDL2016]	
		18"	<input type="checkbox"/> [AXDL1218]	<input type="checkbox"/> [AXDL1418]	<input type="checkbox"/> [AXDL1618]	<input type="checkbox"/> [AXDL1818]	<input type="checkbox"/> [AXDL2018]	<input type="checkbox"/> [AXDL2218]
	Tall	20"	<input type="checkbox"/> [AXDL1220]	<input type="checkbox"/> [AXDL1420]	<input type="checkbox"/> [AXDL1620]	<input type="checkbox"/> [AXDL1820]	<input type="checkbox"/> [AXDL2020]	
		22"		<input type="checkbox"/> [AXDL1422]	<input type="checkbox"/> [AXDL1622]	<input type="checkbox"/> [AXDL1822]	<input type="checkbox"/> [AXDL2022]	<input type="checkbox"/> [AXDL2222]

Back Hardware

DEX Hardware [DEX] BTX Hardware [BTX] FXT Hardware [FXT] _____ N/C

This form must be opened in Adobe Acrobat. The Submit Form button will not work from most browser windows.



Phone (800) 981-1540 | Fax (715) 254-0996
 sales@kimobility.com | www.kimobility.com



Headrest

Description	Std. Straight Removable Adjustable Hardware		Multi-Axis Removable Adjustable Hardware		Posalinc Removable Adjustable Hardware		Posalinc Flip-Back Adjustable Hardware	
	Item Code	Retail	Item Code	Retail	Item Code	Retail	Item Code	Retail
Comfort Soft Headrest 8"	<input type="checkbox"/> [CS08SS]	£268	<input type="checkbox"/> [CS08MA]	£268	<input type="checkbox"/> [CS08PL]	£268	<input type="checkbox"/> [CS08PLF]	N/C
Comfort Soft Headrest 10"	<input type="checkbox"/> [CS10SS]	£268	<input type="checkbox"/> [CS10MA]	£268	<input type="checkbox"/> [CS10PL]	£268	<input type="checkbox"/> [CS10PLF]	N/C
Comfort Soft Headrest 14"	<input type="checkbox"/> [CS14SS]	£268	<input type="checkbox"/> [CS14MA]	£268	<input type="checkbox"/> [CS14PL]	£268	<input type="checkbox"/> [CS14PLF]	N/C
Contour Positioning Pad, 8" X 6.25"	<input type="checkbox"/> [CP08SS]	£303	<input type="checkbox"/> [CP08MA]	£303	<input type="checkbox"/> [CP08PL]	£303	<input type="checkbox"/> [CP08PLF]	N/C
Contour Positioning Pad, 9" X 6.5"	<input type="checkbox"/> [CP09SS]	£303	<input type="checkbox"/> [CP09MA]	£303	<input type="checkbox"/> [CP09PL]	£303	<input type="checkbox"/> [CP09PLF]	N/C
Contour Positioning Pad, 10" X 7.5"	<input type="checkbox"/> [CP10SS]	£303	<input type="checkbox"/> [CP10MA]	£303	<input type="checkbox"/> [CP10PL]	£303	<input type="checkbox"/> [CP10PLF]	N/C
Tri-soft Headrest 10"	<input type="checkbox"/> [TS10SS]	£386	<input type="checkbox"/> [TS10MA]	£386	<input type="checkbox"/> [TS10PL]	£386	<input type="checkbox"/> [TS10PLF]	N/C
Tri-soft Headrest 14"	<input type="checkbox"/> [TS14SS]	£386	<input type="checkbox"/> [TS14MA]	£386	<input type="checkbox"/> [TS14PL]	£386	<input type="checkbox"/> [TS14PLF]	N/C

Description	Item Code	Retail
Universal Headrest Mounting Plate	<input type="checkbox"/> [UMP]	£43

Not required for Axiom Headrests

Anterior Trunk Supports

Selection of Anterior Thoracic Mounting Modification required in order to mount posture supports. Not available with Low Backs.

Anterior Trunk Supports		
Description	Item Code	Retail
Dynaform Chest Support: 2-Piece with Hook&Loop, 3" High Pad, Small	<input type="checkbox"/> [14941]	£100
Dynaform Chest Support: 2-Piece with Hook&Loop, 4" High Pad, Medium	<input type="checkbox"/> [14942]	£100
Dynaform Chest Support: 2-Piece with Hook&Loop, 5" High Pad, Large	<input type="checkbox"/> [14943]	£100
Dynaform Chest Support: 1-Piece with Buckle, 3" Height x 18" Width, Small	<input type="checkbox"/> [14924]	£100
Dynaform Chest Support: 1-Piece with Buckle, 4" Height x 20" Width, Medium	<input type="checkbox"/> [14927]	£100
Dynaform Chest Support: 1-Piece with Buckle, 4" Height x 22" Width, Large	<input type="checkbox"/> [14928]	£100
Dynaform Anterior Trunk Support: Standard, Dynamic, X-Small	<input type="checkbox"/> [14851]	£100
Dynaform Anterior Trunk Support: Standard, Dynamic, Small	<input type="checkbox"/> [14852]	£100
Dynaform Anterior Trunk Support: Standard, Dynamic, Medium	<input type="checkbox"/> [14853]	£100
Dynaform Anterior Trunk Support: Standard, Dynamic, Large	<input type="checkbox"/> [14854]	£100
Dynaform Anterior Trunk Support: Slim Cut, Dynamic, X-Small	<input type="checkbox"/> [14856]	£100
Dynaform Anterior Trunk Support: Slim Cut, Dynamic, Small	<input type="checkbox"/> [14857]	£100
Dynaform Anterior Trunk Support: Slim Cut, Dynamic, Medium	<input type="checkbox"/> [14858]	£100
Dynaform Anterior Trunk Support: Slim Cut, Dynamic, Large	<input type="checkbox"/> [14859]	£100
AirLogic Anterior Trunk Support: Standard, Structure, Small	<input type="checkbox"/> [14282]	£300
AirLogic Anterior Trunk Support: Standard, Structure, Medium	<input type="checkbox"/> [14283]	£300
AirLogic Anterior Trunk Support: Standard, Structure, Large	<input type="checkbox"/> [14284]	£300
AirLogic Anterior Trunk Support: Standard, Structure, X-Large	<input type="checkbox"/> [14285]	£300
AirLogic Anterior Trunk Support: Slim Cut, Dynamic, Small	<input type="checkbox"/> [14257]	£300
AirLogic Anterior Trunk Support: Slim Cut, Dynamic, Medium	<input type="checkbox"/> [14258]	£300
AirLogic Anterior Trunk Support: Slim Cut, Dynamic, Large	<input type="checkbox"/> [14259]	£300
AirLogic Anterior Trunk Support: Slim Cut, Dynamic, X-Large	<input type="checkbox"/> [14260]	£300

This form must be opened in Adobe Acrobat. The Submit Form button will not work from most browser windows.



Phone (800) 981-1540 | Fax (715) 254-0996
sales@kimobility.com | www.kimobility.com



Accessories

- Adjustable Shoulder Guides [AXBBSG] £43
Includes Anterior Thoracic Mounting Modification. Not available with Low Backs.
- Lumbar Pad [LUMPAD] N/C
Available only with Axiom Lateral Back and Axiom Deep Lateral back
- Privacy Flap [PRFLAP] £44

Axiom Back Modifications

Axiom Back Modifications

Extended lead times will apply for all modifications. Makes back non-refundable.

- Anterior Thoracic Mounting Modification [AXSMM] N/C
Provides holes for Anterior Thoracic Supports and Shoulder Guides

Gloss Finish Back Shell

If no selection is made, standard Shadow Black will be used with no additional lead time

- Opalescent Violet [AXMOV1] N/C
- Radiant Orange [AXMROR] N/C
- Electric Green [AXMEGN] N/C
- Glacier Blue [AXMGBL] N/C
- Dark Pink [AXMDPK] N/C
- Light Pink [AXMLPK] N/C
- Rich Teal [AXMRTE] N/C
- Purple Plum [AXMPLM] N/C
- Black [AXMBLK] N/C
- Candy Blue [AXMCBL] N/C
- Candy Purple [AXMPUR] N/C
- Candy Red [AXMRED] N/C
- Granny Smith [AXMGSM] N/C
- Metallic Orange [AXMMOR] N/C
- Yellow [AXMYLW] N/C

Matte Finish Back Shell

If no selection is made, standard Shadow Black will be used with no additional lead time

- Bright Red [AXMBRR] N/C
- White [AXMWHT] N/C
- Dry Earth Tan [AXMTAN] N/C
- Tactical Green [AXMTGR] N/C
- Charcoal Gray [AXMCGM] N/C
- Iridescent Burgundy [AXMIBM] N/C
- Iridescent Navy [AXMINM] N/C
- Royal Blue [AXMRBM] N/C

Metallic Finish Back Shell

If no selection is made, standard Shadow Black will be used with no additional lead time

- Blue Steel [AXMBLS] N/C